

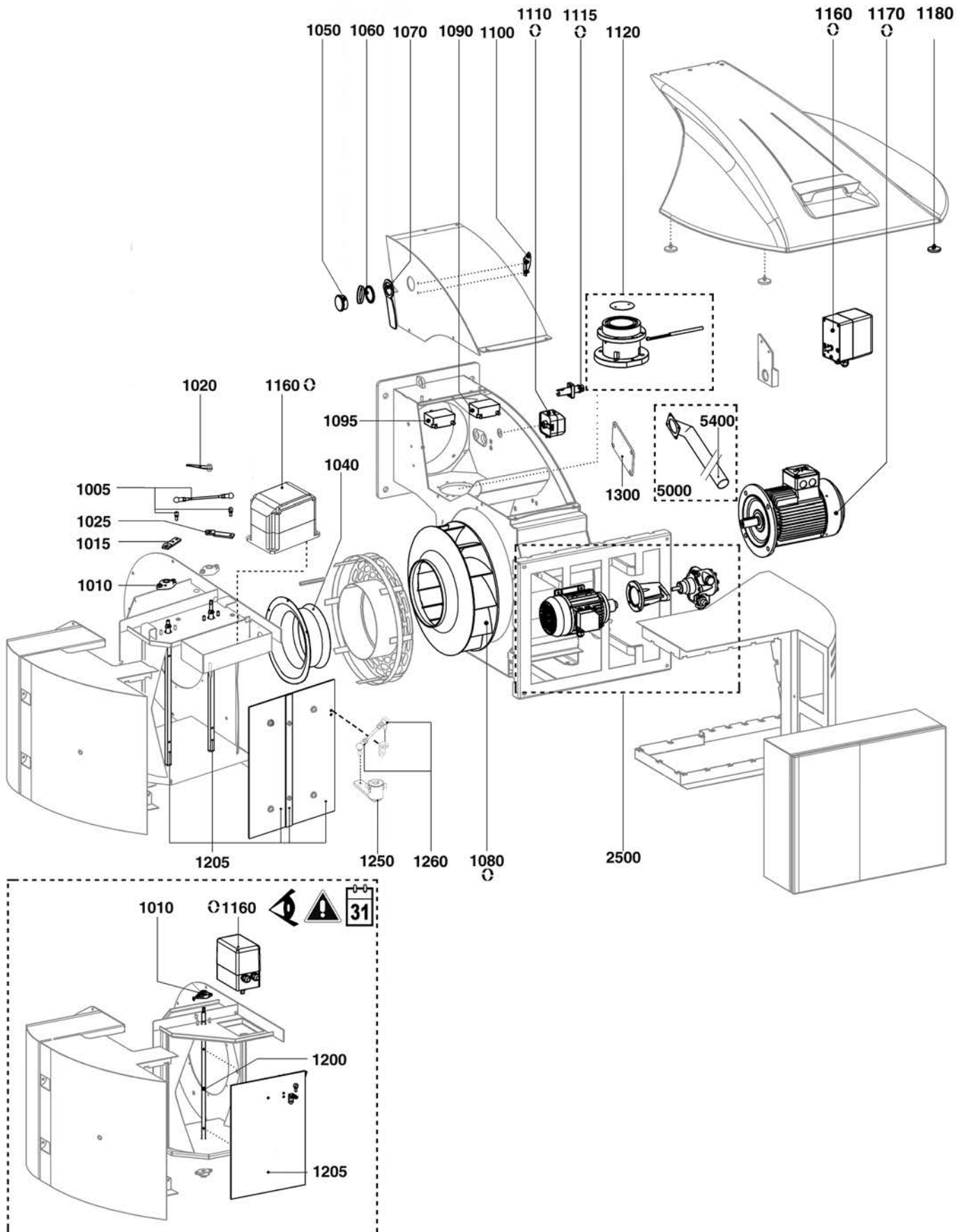
## SPARE PARTS EXPLODED VIEW DUAL-FUEL BURNERS

Model

### CB-N6/7 GL-E

R8220124-01 - 07/07/2017

| 1   | 3752771   | N 6.2400 GL-E BT3 KN | 02-2013 | -   |
|-----|-----------|----------------------|---------|-----|
| 1   | 3752775   | N 6.2400 GL-E BT3 KM | 03-2013 | -   |
| 1   | 3752779   | N 6.2400 GL-E BT3 KL | 03-2013 | -   |
| 2   | 3752772   | N 6.2900 GL-E BT3 KN | 03-2013 | -   |
| 2   | 3752776   | N 6.2900 GL-E BT3 KM | 03-2013 | -   |
| 2   | 3752780   | N 6.2900 GL-E BT3 KL | 03-2013 | -   |
| 3   | 3752773   | N 7.3600 GL-E BT3 KN | 03-2013 | -   |
| 3   | 3752777   | N 7.3600 GL-E BT3 KM | 03-2013 | -   |
| 3   | 3752781   | N 7.3600 GL-E BT3 KL | 03-2013 | -   |
| 4   | 3752774   | N 7.4500 GL-E BT3 KN | 03-2013 | -   |
| 4   | 3752778   | N 7.4500 GL-E BT3 KM | 03-2013 | -   |
| 4   | 3752782   | N 7.4500 GL-E BT3 KL | 03-2013 | -   |
| 5   | 3750525   | GT-S451-1"1/2        | 01-2014 | -   |
| 6   | 3750526   | GT-S452-2"           | 01-2014 | -   |
| 7   | 3750510   | GT-D452-1"1/2        | 01-2014 | -   |
| 8   | 3750511   | GT-D453-2"           | 01-2014 | -   |
| 9   | 3750527   | GT-S453-65           | 01-2014 | -   |
| 10  | 3750528   | GT-S454-80           | 01-2014 | -   |
| 11  | 3750529   | GT-S455-100          | 01-2014 | -   |
| 12  | 3750530   | GT-S456-125          | 01-2014 | -   |
| 13  | 3750512   | GT-D454-65           | 01-2014 | -   |
| 14  | 3750513   | GT-D455-80           | 01-2014 | -   |
| 15  | 3750514   | GT-D456-100          | 01-2014 | -   |
| Col | Reference | Model type           | Begin   | End |

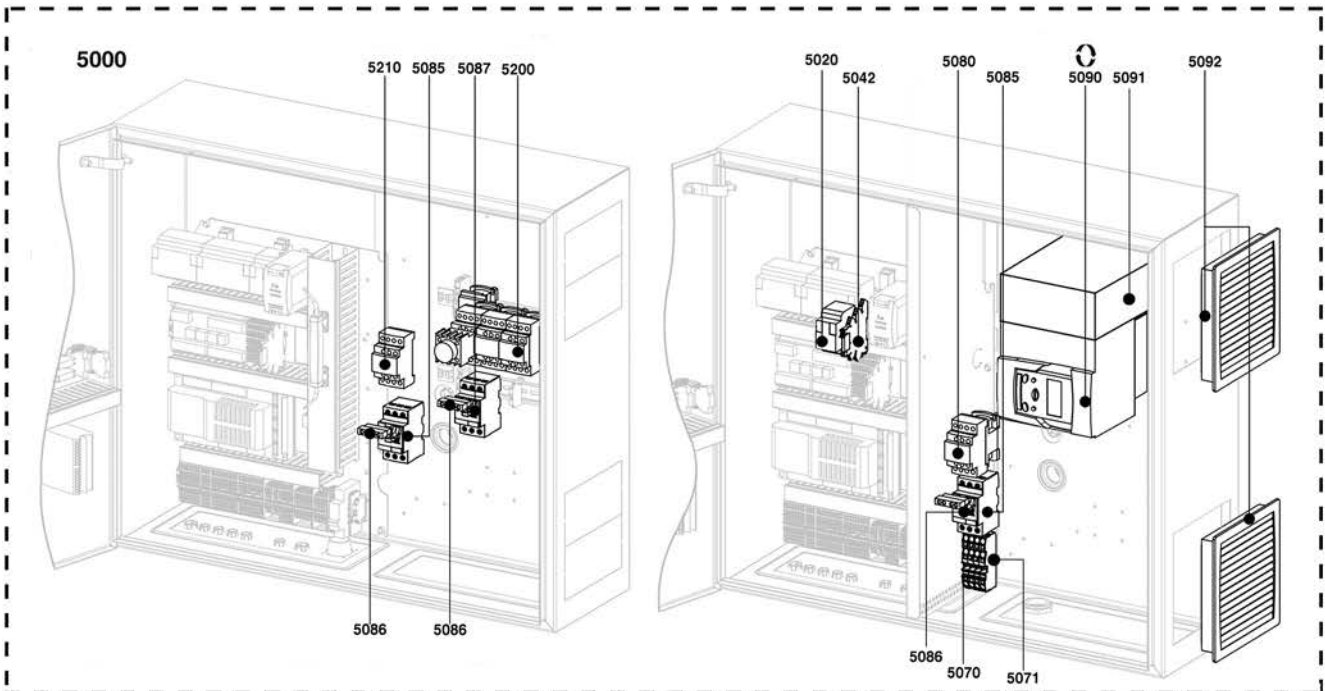
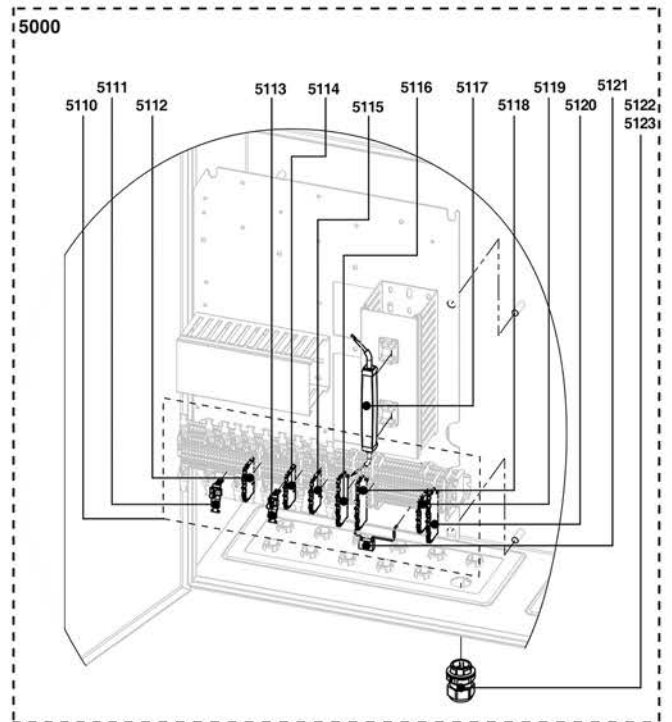
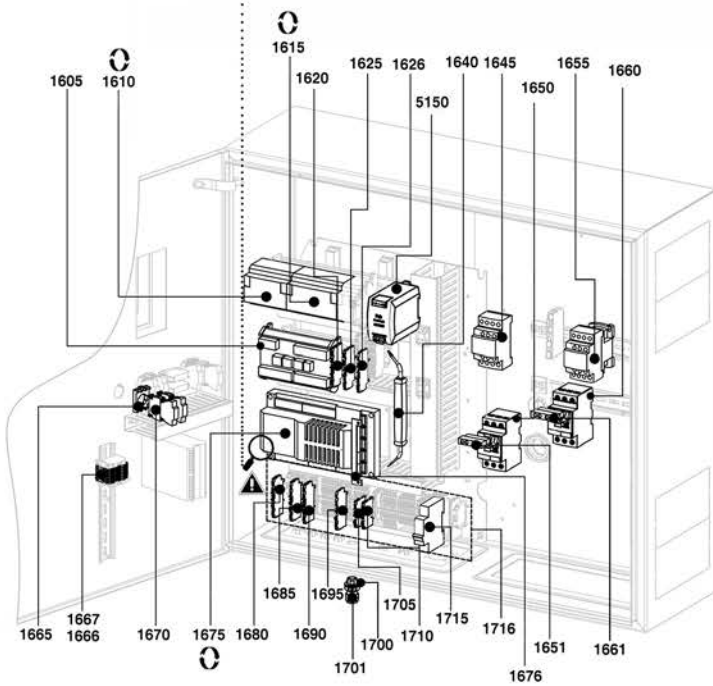
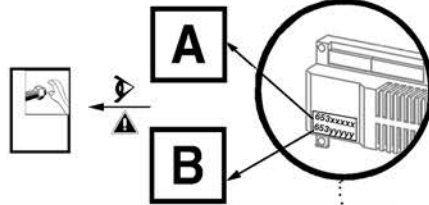
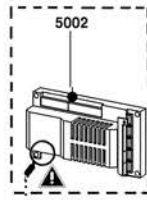
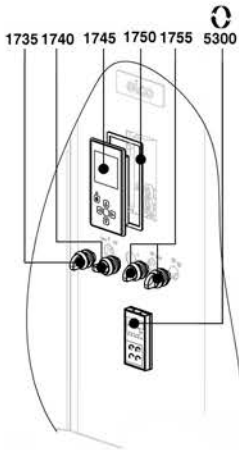


|             | Description                             | Manf. Pt. N | Type |   |   |   |   |   |   |   |   |   |    |    |    |    |    |    |    |       |       | From | to |
|-------------|---|-------------|------|---|---|---|---|---|---|---|---|---|----|----|----|----|----|----|----|-------|-------|------|----|
|             |   |             |      | 1 | 2 | 3 | 4 | 5 | 6 | 7 | 8 | 9 | 10 | 11 | 12 | 13 | 14 | 15 | 16 | 17    | 18    |      |    |
| <b>1000</b> | <b>BURNER BODY</b>                      |             |      |   |   |   |   |   |   |   |   |   |    |    |    |    |    |    |    |       |       |      |    |
| 1005        | AIR FLAP LIFT ROD L.160                 | 65313830    |      | • | • | • | • |   |   |   |   |   |    |    |    |    |    |    |    |       |       |      |    |
| 1010        | FLANGE 37X62X15 D12 KFL001              | 65311967    |      | • | • | • | • |   |   |   |   |   |    |    |    |    |    |    |    | 09/13 |       |      |    |
|             | FLANGE 38X63X19 D12 T=100 GRD UFL001    | 65311617    |      | • | • | • | • |   |   |   |   |   |    |    |    |    |    |    |    |       | 08/13 |      |    |
| 1015        | AIR FLAP DRIVE LEVER N6/7 EXTERNAL      | 65313827    |      | • | • | • | • |   |   |   |   |   |    |    |    |    |    |    |    |       |       |      |    |
| 1020        | POSITION AIR FLAP INDICATOR             | 65311657    |      | • | • | • | • |   |   |   |   |   |    |    |    |    |    |    |    |       |       |      |    |
| 1025        | AIR FLAP DRIVE LEVER N6/7 INTERNAL      | 65313955    |      | • | • | • | • |   |   |   |   |   |    |    |    |    |    |    |    |       |       |      |    |
| 1040        | AIR GUIDING PIECE                       | 65311474    |      |   |   |   | • | • |   |   |   |   |    |    |    |    |    |    |    |       |       |      |    |
|             | AIR GUIDING PIECE                       | 65311490    |      | • | • |   |   |   |   |   |   |   |    |    |    |    |    |    |    |       |       |      |    |
| 1050        | COLORLESS SIGHT GLASS D55X21            | 1180603227  |      | • | • | • | • |   |   |   |   |   |    |    |    |    |    |    |    |       |       |      |    |
| 1060        | SIGHT GLASS COVER D55X61                | 1188052260  |      | • | • | • | • |   |   |   |   |   |    |    |    |    |    |    |    |       |       |      |    |
| 1070        | NUT/SIGHT GLASS M48X1,5 SW60            | 1180559591  |      | • | • | • | • |   |   |   |   |   |    |    |    |    |    |    |    |       |       |      |    |
| 1080        | FAN WHEEL D438/225X89 D28+PLATE D58/12  | 65311489    |      | • | • |   |   |   |   |   |   |   |    |    |    |    |    |    |    |       |       |      |    |
|             | FAN WHEEL D450/252X90 D38+PLATE D58/12  | 65311473    |      |   |   | • |   |   |   |   |   |   |    |    |    |    |    |    |    |       |       |      |    |
|             | FAN WHEEL D485/252X102 D38+PLATE D58/12 | 65311822    |      |   |   |   | • |   |   |   |   |   |    |    |    |    |    |    |    |       |       |      |    |
| 1090        | IGNITION TRANSFORMER EBI 1X11 230V      | 65311471    |      | • | • | • | • |   |   |   |   |   |    |    |    |    |    |    |    |       |       |      |    |
| 1095        | IGNITION TRANSFORMER EBI 2X7,5 230V     | 65310925    |      | • | • | • | • |   |   |   |   |   |    |    |    |    |    |    |    |       |       |      |    |
| 1100        | MIRROR/SIGHT GLASS                      | 65311472    |      | • | • | • | • |   |   |   |   |   |    |    |    |    |    |    |    |       |       |      |    |
| 1110        | AIR PRESS.SWITCH LGW 50 A2P 2,5-50MB    | 65311595    |      | • | • | • | • |   |   |   |   |   |    |    |    |    |    |    |    |       |       |      |    |
| 1115        | PHOTOCELL QRA 2                         | 1758106258  |      | • | • | • | • |   |   |   |   |   |    |    |    |    |    |    |    |       |       |      |    |
| 1120        | GAS FLAP ASS. N6/7                      | 65311544    |      | • | • | • | • |   |   |   |   |   |    |    |    |    |    |    |    |       |       |      |    |
| 1160        | ACTUATOR STE 4,5 Q3.51/6+CABLE L3000    | 65311650    |      | • | • | • | • |   |   |   |   |   |    |    |    |    |    |    |    |       |       |      |    |
| 1170        | MOTOR 3KW 400/690V D28 IE3 GREY         | 65311824    |      | • |   |   |   |   |   |   |   |   |    |    |    |    |    |    |    |       |       |      |    |
|             | MOTOR 4,0KW 400/690V D28 IE BLACK       | 65312556    |      |   | • |   |   |   |   |   |   |   |    |    |    |    |    |    |    |       |       |      |    |
|             | MOTOR 5,5KW 400/690V D38 IE3 BLACK      | 65312557    |      |   |   | • |   |   |   |   |   |   |    |    |    |    |    |    |    |       |       |      |    |
|             | MOTOR 7,5KW 400/690V D38 IE3 AF GREY    | 65312835    |      |   |   |   | • |   |   |   |   |   |    |    |    |    |    |    |    |       |       |      |    |
| 1180        | MAGNET FIX BURNER COVER                 | 65311502    |      | • | • | • | • |   |   |   |   |   |    |    |    |    |    |    |    |       |       |      |    |
| 1200        | SPINDLE / AIR FLAP 12X12X510            | 65311476    |      | • | • | • | • |   |   |   |   |   |    |    |    |    |    |    |    |       | 08/13 |      |    |
| 1205        | AIR FLAP N6/7                           | 65311477    |      | • | • | • | • |   |   |   |   |   |    |    |    |    |    |    |    |       | 08/13 |      |    |
|             | AIR FLAPS N6/N7 + SHAFTS                | 65313954    |      | • | • | • | • |   |   |   |   |   |    |    |    |    |    |    |    | 09/13 |       |      |    |
| 1250        | ACTUATOR TRANSMISSION LEVER             | 65313969    |      | • | • | • | • |   |   |   |   |   |    |    |    |    |    |    |    |       |       |      |    |
| 1260        | AIR FLAP LIFT ROD L.120                 | 65313970    |      | • | • | • | • |   |   |   |   |   |    |    |    |    |    |    |    |       |       |      |    |
| 1300        | COVER PLATE 76X56X2.5                   | 65313915    |      | • | • | • | • |   |   |   |   |   |    |    |    |    |    |    |    |       |       |      |    |
|             |   |             |      |   |   |   |   |   |   |   |   |   |    |    |    |    |    |    |    |       |       |      |    |
| <b>5000</b> | <b>ACCESSORY</b>                        |             |      |   |   |   |   |   |   |   |   |   |    |    |    |    |    |    |    |       |       |      |    |
| 5400        | COOLING TUBE FOR SPEED DRIVE L318       | 65311827    |      | • | • |   |   |   |   |   |   |   |    |    |    |    |    |    |    |       |       |      |    |
|             | COOLING TUBE FOR SPEED DRIVE L468       | 65311828    |      |   |   | • | • |   |   |   |   |   |    |    |    |    |    |    |    |       |       |      |    |

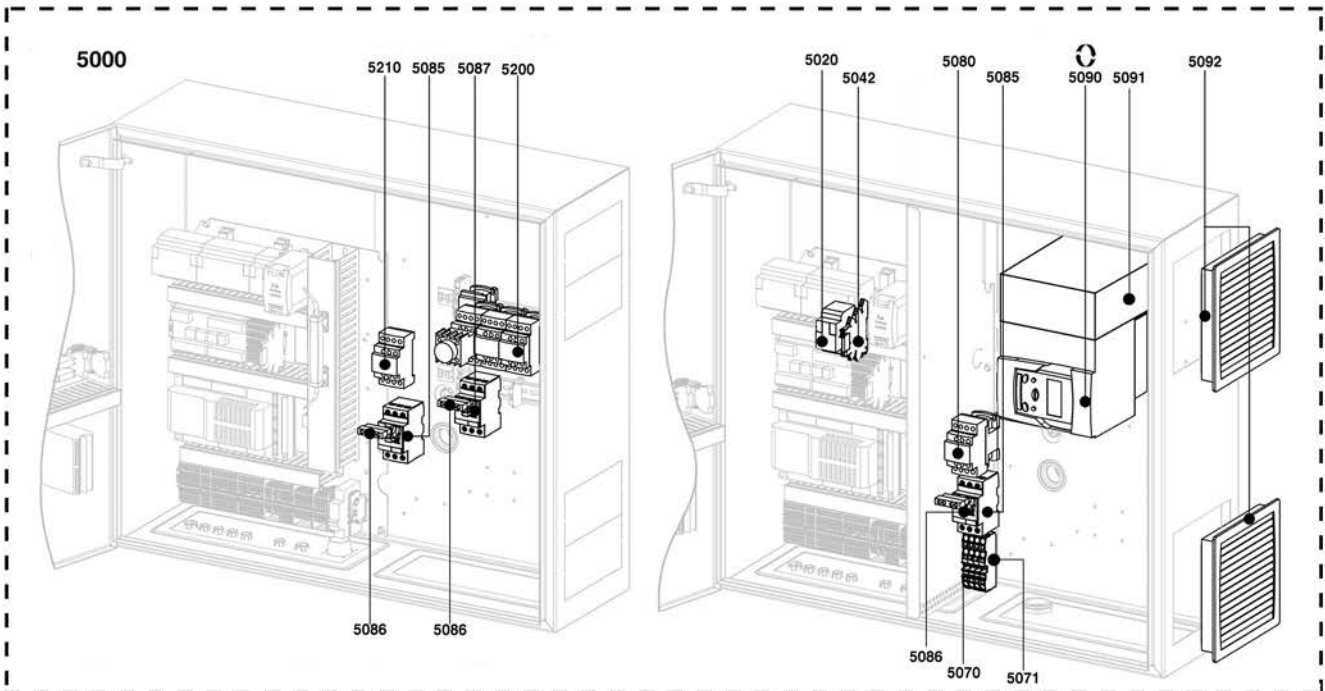
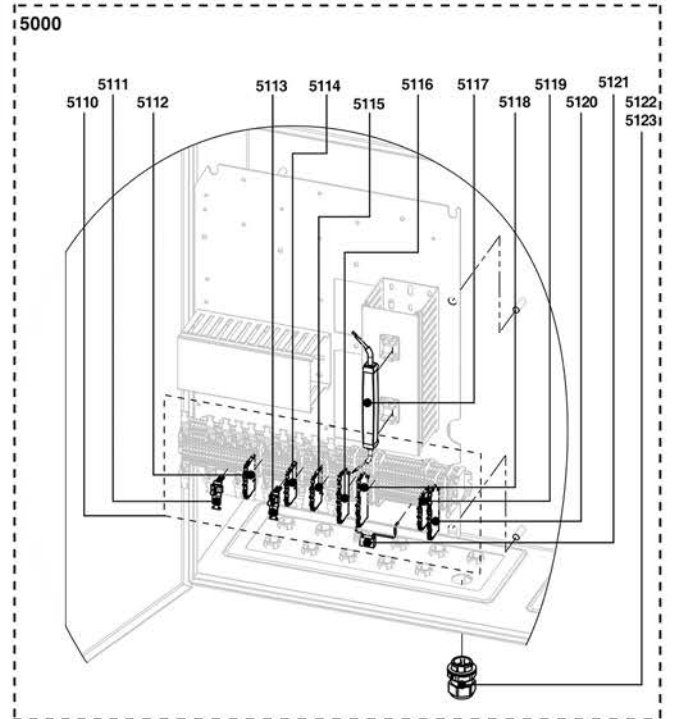
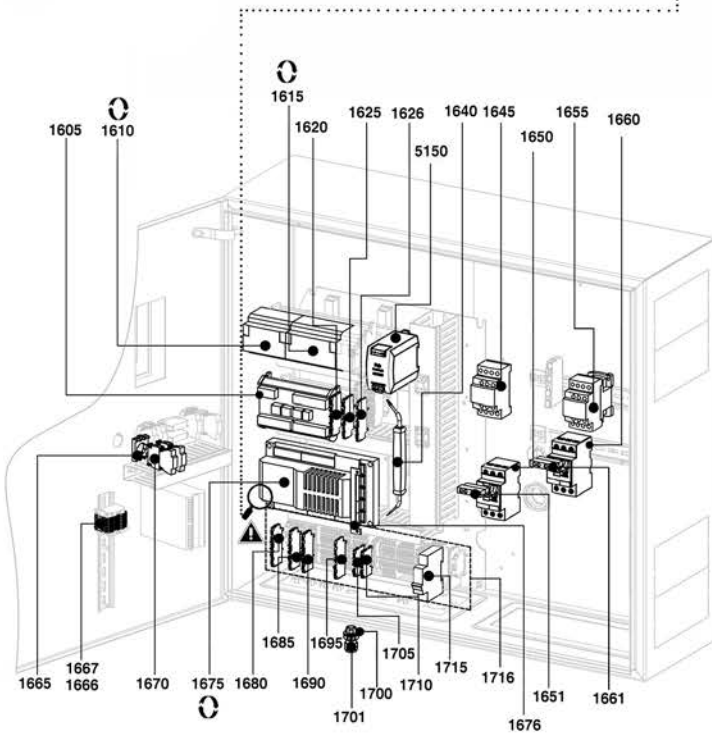
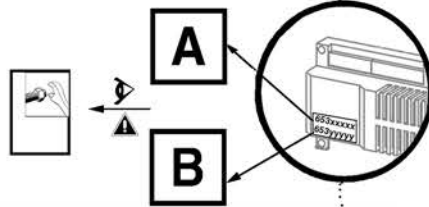
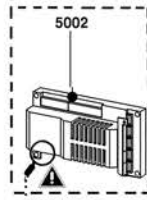
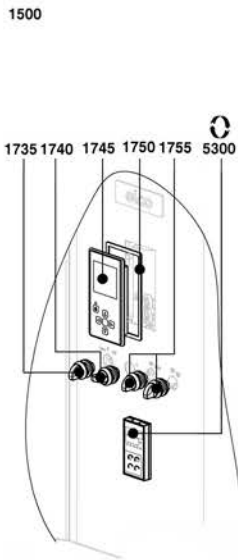
CB-N6/7 GL-E

Dual-Fuel burner

1500



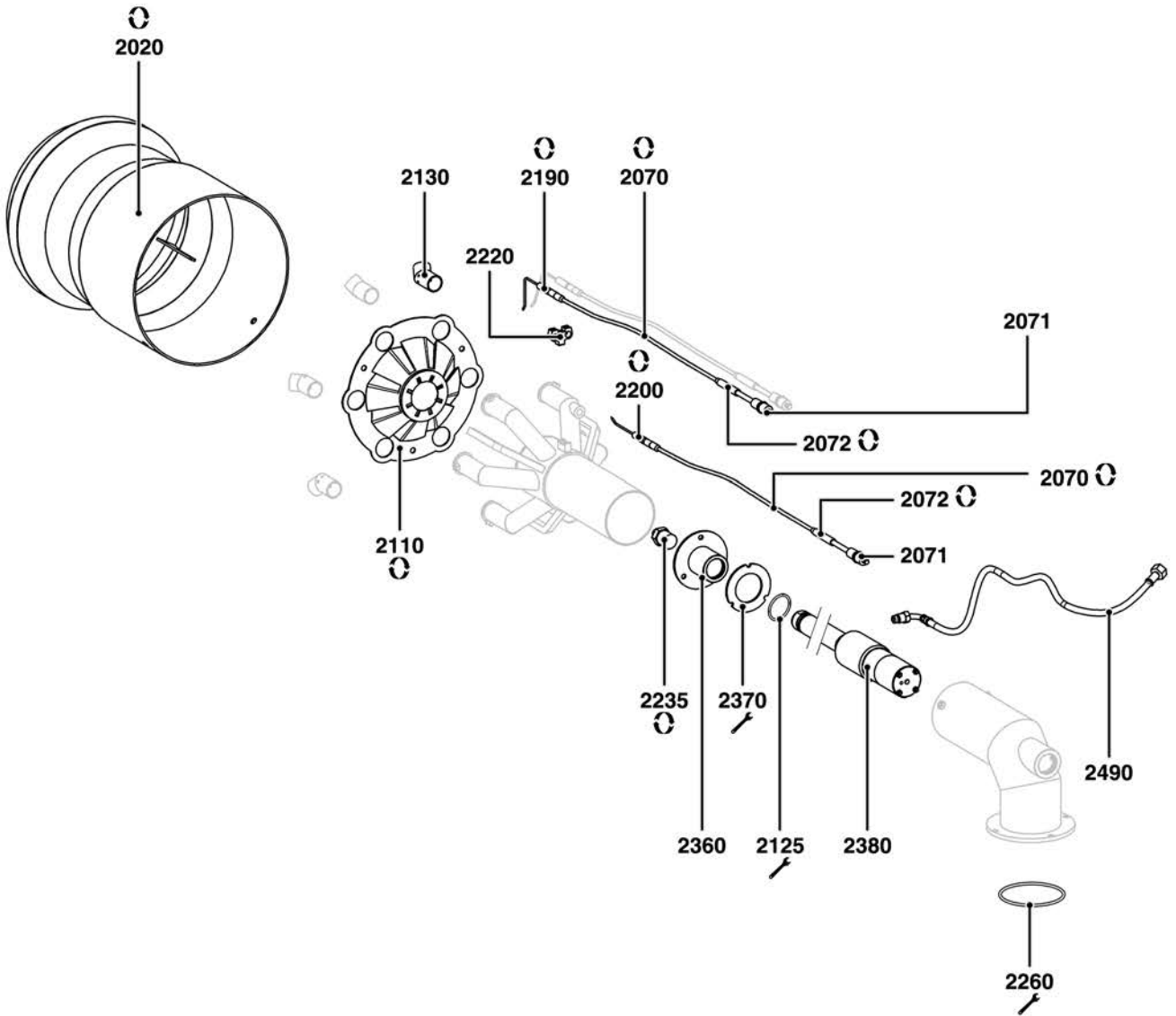
| ☉⇒          | Description                              | Manf. Pt N | Type      | <div style="border: 1px solid black; padding: 2px;"> <table border="1"> <tr> <td>N 6.2400 GL-F BT3</td> <td>N 6.2500 GL-F BT3</td> <td>N 7.3600 GL-F BT3</td> <td>N 7.4500 GL-F BT3</td> <td>GT-S451-11/2</td> <td>GT-S452-2"</td> <td>GT-D452-11/2</td> <td>GT-D453-2"</td> <td>GT-S453-85</td> <td>GT-S454-R0</td> <td>GT-S455-100</td> <td>GT-D456-125</td> <td>GT-D457-65</td> <td>GT-D458-80</td> <td>GT-D459-100</td> </tr> </table> </div> |                   |                   |                   |              |            |              |            |            |            |             |             |            |            |             |  |  |  | N 6.2400 GL-F BT3 | N 6.2500 GL-F BT3 | N 7.3600 GL-F BT3 | N 7.4500 GL-F BT3 | GT-S451-11/2 | GT-S452-2" | GT-D452-11/2 | GT-D453-2" | GT-S453-85 | GT-S454-R0 | GT-S455-100 | GT-D456-125 | GT-D457-65 | GT-D458-80 | GT-D459-100 | From | to |
|-------------|--|------------|-----------|---|-------------------|-------------------|-------------------|--------------|------------|--------------|------------|------------|------------|-------------|-------------|------------|------------|-------------|--|--|--|-------------------|-------------------|-------------------|-------------------|--------------|------------|--------------|------------|------------|------------|-------------|-------------|------------|------------|-------------|------|----|
|             |  |            |           | N 6.2400 GL-F BT3   | N 6.2500 GL-F BT3 | N 7.3600 GL-F BT3 | N 7.4500 GL-F BT3 | GT-S451-11/2 | GT-S452-2" | GT-D452-11/2 | GT-D453-2" | GT-S453-85 | GT-S454-R0 | GT-S455-100 | GT-D456-125 | GT-D457-65 | GT-D458-80 | GT-D459-100 |  |  |  |                   |                   |                   |                   |              |            |              |            |            |            |             |             |            |            |             |      |    |
| 1           | 2  | 3          | 4         | 5   | 6                 | 7                 | 8                 | 9            | 10         | 11           | 12         | 13         | 14         | 15          | 16          | 17         | 18         |             |  |  |  |                   |                   |                   |                   |              |            |              |            |            |            |             |             |            |            |             |      |    |
| <b>1500</b> | <b>ELECTRIC PART</b>                     |            |           |   |                   |                   |                   |              |            |              |            |            |            |             |             |            |            |             |  |  |  |                   |                   |                   |                   |              |            |              |            |            |            |             |             |            |            |             |      |    |
| 1605        | ADAPTER BT300/DFM300 RAST5               | 65311789   |           | •   | •                 | •                 | •                 |              |            |              |            |            |            |             |             |            |            |             |  |  |  |                   |                   |                   |                   |              |            |              |            |            |            |             |             |            |            |             |      |    |
| 1610        | LCM100 MODULE (LSB-M 667R0500-1)         | 65311790   |           | •   | •                 | •                 | •                 |              |            |              |            |            |            |             |             |            |            |             |  |  |  |                   |                   |                   |                   |              |            |              |            |            |            |             |             |            |            |             |      |    |
| 1615        | DFM300 MODULE (LSB-M 667R0600-1)         | 65311791   |           | •   | •                 | •                 | •                 |              |            |              |            |            |            |             |             |            |            |             |  |  |  |                   |                   |                   |                   |              |            |              |            |            |            |             |             |            |            |             |      |    |
| 1620        | FEED-THROUGH TERMINAL (GREY) 2001-1401   | 65311449   |           | •   | •                 | •                 | •                 |              |            |              |            |            |            |             |             |            |            |             |  |  |  |                   |                   |                   |                   |              |            |              |            |            |            |             |             |            |            |             |      |    |
| 1625        | FEED-THROUGH TERMINAL NEUTRAL 2001-1404  | 65311447   |           | •   | •                 | •                 | •                 |              |            |              |            |            |            |             |             |            |            |             |  |  |  |                   |                   |                   |                   |              |            |              |            |            |            |             |             |            |            |             |      |    |
| 1626        | FEED-THROUGH TERMINAL (EARTH) 2001-1407  | 65311445   |           | •   | •                 | •                 | •                 |              |            |              |            |            |            |             |             |            |            |             |  |  |  |                   |                   |                   |                   |              |            |              |            |            |            |             |             |            |            |             |      |    |
| 1640        | OPERATING TOOL WAG 2009-309              | 65311446   |           | •   | •                 | •                 | •                 |              |            |              |            |            |            |             |             |            |            |             |  |  |  |                   |                   |                   |                   |              |            |              |            |            |            |             |             |            |            |             |      |    |
| 1645        | MOTOR CONTACTOR SCH D 3-4kW LC1D09P7     | 65311793   |           | •   | •                 | •                 | •                 |              |            |              |            |            |            |             |             |            |            |             |  |  |  |                   |                   |                   |                   |              |            |              |            |            |            |             |             |            |            |             |      |    |
| 1650        | CIRCUIT BREAK. MOTOR 0,75KW GV2ME07      | 65311945   |           | •   | •                 |                   |                   |              |            |              |            |            |            |             |             |            |            |             |  |  |  |                   |                   |                   |                   |              |            |              |            |            |            |             |             |            |            |             |      |    |
|             | CIRCUIT BREAK. MOTOR 1,1-1,5KW GV2ME08   | 65311946   |           | •   |                   | •                 | •                 |              |            |              |            |            |            |             |             |            |            |             |  |  |  |                   |                   |                   |                   |              |            |              |            |            |            |             |             |            |            |             |      |    |
| 1651        | AUXILIARY SWITCH GVAE11                  | 65311795   |           | •   | •                 | •                 | •                 |              |            |              |            |            |            |             |             |            |            |             |  |  |  |                   |                   |                   |                   |              |            |              |            |            |            |             |             |            |            |             |      |    |
| 1655        | MOTOR CONTACTOR SCH D 3-4kW LC1D09P7     | 65311793   |           | •   | •                 |                   |                   |              |            |              |            |            |            |             |             |            |            |             |  |  |  |                   |                   |                   |                   |              |            |              |            |            |            |             |             |            |            |             |      |    |
|             | MOTOR CONTACTOR SCH D 3-7,5KW LC1D18P7   | 65311947   |           |   |                   |                   | •                 |              |            |              |            |            |            |             |             |            |            |             |  |  |  |                   |                   |                   |                   |              |            |              |            |            |            |             |             |            |            |             |      |    |
|             | MOTOR CONTACTOR SCH D 5,5kW LC1D12P7     | 65312032   |           |   |                   | •                 |                   |              |            |              |            |            |            |             |             |            |            |             |  |  |  |                   |                   |                   |                   |              |            |              |            |            |            |             |             |            |            |             |      |    |
| 1660        | CIRCUIT BREAK. MOTOR 3-4KW GV2ME14       | 65311794   |           | •   | •                 |                   |                   |              |            |              |            |            |            |             |             |            |            |             |  |  |  |                   |                   |                   |                   |              |            |              |            |            |            |             |             |            |            |             |      |    |
|             | CIRCUIT BREAK. MOTOR 5,5kW GV2ME16       | 65312033   |           |   |                   | •                 |                   |              |            |              |            |            |            |             |             |            |            |             |  |  |  |                   |                   |                   |                   |              |            |              |            |            |            |             |             |            |            |             |      |    |
|             | CIRCUIT BREAK. MOTOR 7,5 kW GV2ME20      | 65311776   |           |   |                   |                   | •                 |              |            |              |            |            |            |             |             |            |            |             |  |  |  |                   |                   |                   |                   |              |            |              |            |            |            |             |             |            |            |             |      |    |
| 1661        | AUXILIARY SWITCH GVAE11                  | 65311795   |           | •   | •                 | •                 | •                 |              |            |              |            |            |            |             |             |            |            |             |  |  |  |                   |                   |                   |                   |              |            |              |            |            |            |             |             |            |            |             |      |    |
| 1665        | EQUIPMENT RACK, 3-TRAY M22-A             | 65311919   |           | •   | •                 | •                 | •                 |              |            |              |            |            |            |             |             |            |            |             |  |  |  |                   |                   |                   |                   |              |            |              |            |            |            |             |             |            |            |             |      |    |
| 1666        | FEED-THROUGH TERMINAL (GREY) 2001-1201   | 65311443   |           | •   | •                 | •                 | •                 |              |            |              |            |            |            |             |             |            |            |             |  |  |  |                   |                   |                   |                   |              |            |              |            |            |            |             |             |            |            |             |      |    |
| 1667        | FEED-THROUGH TERMINAL (EARTH) 2001-1207  | 65311444   |           | •   | •                 | •                 | •                 |              |            |              |            |            |            |             |             |            |            |             |  |  |  |                   |                   |                   |                   |              |            |              |            |            |            |             |             |            |            |             |      |    |
| 1670        | DOUBLE NORMALLY CLOSE CONTACT M22-CK02   | 65311922   |           | •   | •                 | •                 | •                 |              |            |              |            |            |            |             |             |            |            |             |  |  |  |                   |                   |                   |                   |              |            |              |            |            |            |             |             |            |            |             |      |    |
|             | DOUBLE NORMALLY OPEN CONTACT M22-CK20    | 65311924   |           | •   | •                 | •                 | •                 |              |            |              |            |            |            |             |             |            |            |             |  |  |  |                   |                   |                   |                   |              |            |              |            |            |            |             |             |            |            |             |      |    |
|             | LED ELEMENT, WHITE M22-CLED230           | 65311920   |           | •   | •                 | •                 | •                 |              |            |              |            |            |            |             |             |            |            |             |  |  |  |                   |                   |                   |                   |              |            |              |            |            |            |             |             |            |            |             |      |    |
|             | NORMALLY CLOSED CONTACT M22 -CK01        | 65311921   |           | •   | •                 | •                 | •                 |              |            |              |            |            |            |             |             |            |            |             |  |  |  |                   |                   |                   |                   |              |            |              |            |            |            |             |             |            |            |             |      |    |
|             | NORMALLY OPEN CONTACT M22-CK10           | 65311923   |           | •   | •                 | •                 | •                 |              |            |              |            |            |            |             |             |            |            |             |  |  |  |                   |                   |                   |                   |              |            |              |            |            |            |             |             |            |            |             |      |    |
| 1675        | CONTROL UNIT BT340 GL-E                  | 65312454   |           | •   | •                 | •                 | •                 |              |            |              |            |            |            |             |             |            |            |             |  |  |  |                   |                   |                   |                   |              |            |              |            |            |            |             |             |            |            |             |      |    |
| 1676        | X30-X34 BLANK COVER 667R0001             | 65311926   |           | •   | •                 | •                 | •                 |              |            |              |            |            |            |             |             |            |            |             |  |  |  |                   |                   |                   |                   |              |            |              |            |            |            |             |             |            |            |             |      |    |
| 1680        | FEED-THROUGH TERMINAL (ORANGE) 2001-1402 | 65311927   |           | •   | •                 | •                 | •                 |              |            |              |            |            |            |             |             |            |            |             |  |  |  |                   |                   |                   |                   |              |            |              |            |            |            |             |             |            |            |             |      |    |
| 1685        | FEED-THROUGH TERMINAL (EARTH) 2001-1407  | 65311445   |           | •   | •                 | •                 | •                 |              |            |              |            |            |            |             |             |            |            |             |  |  |  |                   |                   |                   |                   |              |            |              |            |            |            |             |             |            |            |             |      |    |
| 1690        | FEED-THROUGH TERMINAL (GREY) 2001-1401   | 65311449   |           | •   | •                 | •                 | •                 |              |            |              |            |            |            |             |             |            |            |             |  |  |  |                   |                   |                   |                   |              |            |              |            |            |            |             |             |            |            |             |      |    |
| 1695        | FEED-THROUGH TERMINAL NEUTRAL 2001-1404  | 65311447   |           | •   | •                 | •                 | •                 |              |            |              |            |            |            |             |             |            |            |             |  |  |  |                   |                   |                   |                   |              |            |              |            |            |            |             |             |            |            |             |      |    |
| 1700        | CABLE GLAND M16                          | 65311451   |           | •   | •                 | •                 | •                 |              |            |              |            |            |            |             |             |            |            |             |  |  |  |                   |                   |                   |                   |              |            |              |            |            |            |             |             |            |            |             |      |    |
|             | CABLE GLAND M20                          | 65311758   |           | •   | •                 | •                 | •                 |              |            |              |            |            |            |             |             |            |            |             |  |  |  |                   |                   |                   |                   |              |            |              |            |            |            |             |             |            |            |             |      |    |
|             | CABLE GLAND M25                          | 65311759   |           | •   | •                 | •                 | •                 |              |            |              |            |            |            |             |             |            |            |             |  |  |  |                   |                   |                   |                   |              |            |              |            |            |            |             |             |            |            |             |      |    |
| 1701        | CLIC TOOL M16                            | 65311786   |           | •   | •                 | •                 | •                 |              |            |              |            |            |            |             |             |            |            |             |  |  |  |                   |                   |                   |                   |              |            |              |            |            |            |             |             |            |            |             |      |    |
|             | CLIC TOOL M20                            | 65311787   |           | •   | •                 | •                 | •                 |              |            |              |            |            |            |             |             |            |            |             |  |  |  |                   |                   |                   |                   |              |            |              |            |            |            |             |             |            |            |             |      |    |
|             | CLIC TOOL M25                            | 65311788   |           | •   | •                 | •                 | •                 |              |            |              |            |            |            |             |             |            |            |             |  |  |  |                   |                   |                   |                   |              |            |              |            |            |            |             |             |            |            |             |      |    |
| 1705        | FEED-THROUGH TERMINAL (GREY) 2001-1201   | 65311443   |           | •   | •                 | •                 | •                 |              |            |              |            |            |            |             |             |            |            |             |  |  |  |                   |                   |                   |                   |              |            |              |            |            |            |             |             |            |            |             |      |    |
| 1710        | FEED-THROUGH TERMINAL (ORANGE) 2001-1202 | 65311441   |           | •   | •                 | •                 | •                 |              |            |              |            |            |            |             |             |            |            |             |  |  |  |                   |                   |                   |                   |              |            |              |            |            |            |             |             |            |            |             |      |    |
| 1715        | CIRCUIT BREAKER 1P SCHNEIDER 23614       | 65311931   |           | •   | •                 | •                 | •                 |              |            |              |            |            |            |             |             |            |            |             |  |  |  |                   |                   |                   |                   |              |            |              |            |            |            |             |             |            |            |             |      |    |
| 1716        | TERMINAL STRIP WAGO STRG. N6-9 GL-E BT   | 65311932   |           | •   | •                 | •                 | •                 |              |            |              |            |            |            |             |             |            |            |             |  |  |  |                   |                   |                   |                   |              |            |              |            |            |            |             |             |            |            |             |      |    |
| 1735        | ILLUMINAT. SELECT. BUTTON, 3-STEP, LOCK. | 65311436   |           | •   | •                 | •                 | •                 |              |            |              |            |            |            |             |             |            |            |             |  |  |  |                   |                   |                   |                   |              |            |              |            |            |            |             |             |            |            |             |      |    |
| 1740        | ILLUMINAT. SELECT. BUTTON, 3-STEP, LOCK. | 65311437   |           | •   | •                 | •                 | •                 |              |            |              |            |            |            |             |             |            |            |             |  |  |  |                   |                   |                   |                   |              |            |              |            |            |            |             |             |            |            |             |      |    |
| 1745        | DISPLAY FOR CONTROL UNIT BT3XX           | 65326869   |           | •   | •                 | •                 | •                 |              |            |              |            |            |            |             |             |            |            |             |  |  |  |                   |                   |                   |                   |              |            |              |            |            |            |             |             |            |            |             |      |    |
| 1750        | GASKET/DISPLAY 152/140X80/70X2           | 65311364   |           | •   | •                 | •                 | •                 |              |            |              |            |            |            |             |             |            |            |             |  |  |  |                   |                   |                   |                   |              |            |              |            |            |            |             |             |            |            |             |      |    |
| 1755        | ILLUMINAT. SELECT. BUTTON, 2-STEP, LOCK. | 65311438   |           | •   | •                 | •                 | •                 |              |            |              |            |            |            |             |             |            |            |             |  |  |  |                   |                   |                   |                   |              |            |              |            |            |            |             |             |            |            |             |      |    |
|             |  |            |           |   |                   |                   |                   |              |            |              |            |            |            |             |             |            |            |             |  |  |  |                   |                   |                   |                   |              |            |              |            |            |            |             |             |            |            |             |      |    |
|             |  |            |           |   |                   |                   |                   |              |            |              |            |            |            |             |             |            |            |             |  |  |  |                   |                   |                   |                   |              |            |              |            |            |            |             |             |            |            |             |      |    |
|             |  |            |           |   |                   |                   |                   |              |            |              |            |            |            |             |             |            |            |             |  |  |  |                   |                   |                   |                   |              |            |              |            |            |            |             |             |            |            |             |      |    |
|             |  |            |           |   |                   |                   |                   |              |            |              |            |            |            |             |             |            |            |             |  |  |  |                   |                   |                   |                   |              |            |              |            |            |            |             |             |            |            |             |      |    |
|             |  |            |           |   |                   |                   |                   |              |            |              |            |            |            |             |             |            |            |             |  |  |  |                   |                   |                   |                   |              |            |              |            |            |            |             |             |            |            |             |      |    |
|             |  |            |           |   |                   |                   |                   |              |            |              |            |            |            |             |             |            |            |             |  |  |  |                   |                   |                   |                   |              |            |              |            |            |            |             |             |            |            |             |      |    |
|             |  |            |           |   |                   |                   |                   |              |            |              |            |            |            |             |             |            |            |             |  |  |  |                   |                   |                   |                   |              |            |              |            |            |            |             |             |            |            |             |      |    |
|             |  |            |           |   |                   |                   |                   |              |            |              |            |            |            |             |             |            |            |             |  |  |  |                   |                   |                   |                   |              |            |              |            |            |            |             |             |            |            |             |      |    |
|             |  |            |           |   |                   |                   |                   |              |            |              |            |            |            |             |             |            |            |             |  |  |  |                   |                   |                   |                   |              |            |              |            |            |            |             |             |            |            |             |      |    |
|             |  |            |           |   |                   |                   |                   |              |            |              |            |            |            |             |             |            |            |             |  |  |  |                   |                   |                   |                   |              |            |              |            |            |            |             |             |            |            |             |      |    |
|             |  |            |           |   |                   |                   |                   |              |            |              |            |            |            |             |             |            |            |             |  |  |  |                   |                   |                   |                   |              |            |              |            |            |            |             |             |            |            |             |      |    |
|             |  |            |           |   |                   |                   |                   |              |            |              |            |            |            |             |             |            |            |             |  |  |  |                   |                   |                   |                   |              |            |              |            |            |            |             |             |            |            |             |      |    |
|             |  |            |           |   |                   |                   |                   |              |            |              |            |            |            |             |             |            |            |             |  |  |  |                   |                   |                   |                   |              |            |              |            |            |            |             |             |            |            |             |      |    |
|             |  |            |           |   |                   |                   |                   |              |            |              |            |            |            |             |             |            |            |             |  |  |  |                   |                   |                   |                   |              |            |              |            |            |            |             |             |            |            |             |      |    |
|             |  |            |           |   |                   |                   |                   |              |            |              |            |            |            |             |             |            |            |             |  |  |  |                   |                   |                   |                   |              |            |              |            |            |            |             |             |            |            |             |      |    |
|             |  |            |           |   |                   |                   |                   |              |            |              |            |            |            |             |             |            |            |             |  |  |  |                   |                   |                   |                   |              |            |              |            |            |            |             |             |            |            |             |      |    |
| <b>5000</b> | <b>ACCESSORY</b>                         |            |           |   |                   |                   |                   |              |            |              |            |            |            |             |             |            |            |             |  |  |  |                   |                   |                   |                   |              |            |              |            |            |            |             |             |            |            |             |      |    |
| 5002        | CONTROL UNIT BT340 BASIC SETTING         | 65312447   |           | •   | •                 | •                 | •                 |              |            |              |            |            |            |             |             |            |            |             |  |  |  |                   |                   |                   |                   |              |            |              |            |            |            |             |             |            |            |             |      |    |
| 5020        | VSM100 MODULE (LSB-M 667R0200-1)         | 65311918   | FQC       | •   | •                 | •                 | •                 |              |            |              |            |            |            |             |             |            |            |             |  |  |  |                   |                   |                   |                   |              |            |              |            |            |            |             |             |            |            |             |      |    |
| 5042        | RELAY FIN 38.61.8.240.5060 KLL 1W FZ     | 65311940   | FQC       | •   | •                 | •                 | •                 |              |            |              |            |            |            |             |             |            |            |             |  |  |  |                   |                   |                   |                   |              |            |              |            |            |            |             |             |            |            |             |      |    |
| 5070        | FEED-THROUGH TERMINAL (GREY) 2004-1301   | 65311949   | FQC       | •   | •                 | •                 | •                 |              |            |              |            |            |            |             |             |            |            |             |  |  |  |                   |                   |                   |                   |              |            |              |            |            |            |             |             |            |            |             |      |    |
| 5071        | FEED-THROUGH TERMINAL (EARTH) 2004-1307  | 65311950   | FQC       | •   | •                 | •                 | •                 |              |            |              |            |            |            |             |             |            |            |             |  |  |  |                   |                   |                   |                   |              |            |              |            |            |            |             |             |            |            |             |      |    |
| 5080        | MOTOR CONTACTOR SCH D 3-4kW LC1D09P7     | 65311793   | FQC       | •   | •                 | •                 | •                 |              |            |              |            |            |            |             |             |            |            |             |  |  |  |                   |                   |                   |                   |              |            |              |            |            |            |             |             |            |            |             |      |    |
| 5085        | CIRCUIT BREAK. MOTOR 0,75KW GV2ME07      | 65311945   | FQC & Y/D | •   | •                 |                   |                   |              |            |              |            |            |            |             |             |            |            |             |  |  |  |                   |                   |                   |                   |              |            |              |            |            |            |             |             |            |            |             |      |    |
|             | CIRCUIT BREAK. MOTOR 1,1-1,5KW GV2ME08   | 65311946   | FQC & Y/D | •   |                   | •                 | •                 |              |            |              |            |            |            |             |             |            |            |             |  |  |  |                   |                   |                   |                   |              |            |              |            |            |            |             |             |            |            |             |      |    |
| 5086        | AUXILIARY SWITCH GVAE11                  | 65311795   | FQC & Y/D | •   | •                 | •                 | •                 |              |            |              |            |            |            |             |             |            |            |             |  |  |  |                   |                   |                   |                   |              |            |              |            |            |            |             |             |            |            |             |      |    |
| 5087        | CIRCUIT BREAK. MOTOR 3-4KW GV2ME14       | 65311794   | Y/D       | •   | •                 |                   |                   |              |            |              |            |            |            |             |             |            |            |             |  |  |  |                   |                   |                   |                   |              |            |              |            |            |            |             |             |            |            |             |      |    |
|             | CIRCUIT BREAK. MOTOR 5,5kW GV2ME16       | 65312033   | Y/D       |   |                   | •                 |                   |              |            |              |            |            |            |             |             |            |            |             |  |  |  |                   |                   |                   |                   |              |            |              |            |            |            |             |             |            |            |             |      |    |
|             | CIRCUIT BREAK. MOTOR 7,5 kW GV2ME20      | 65311776   | Y/D       |   |                   |                   | •                 |              |            |              |            |            |            |             |             |            |            |             |  |  |  |                   |                   |                   |                   |              |            |              |            |            |            |             |             |            |            |             |      |    |
| 5090        | SPEED DRIVES ACS310 3KW                  | 65311951   | FQC       | •   |                   |                   |                   |              |            |              |            |            |            |             |             |            |            |             |  |  |  |                   |                   |                   |                   |              |            |              |            |            |            |             |             |            |            |             |      |    |
|             | SPEED DRIVES ACS310 4KW                  | 65311952   | FQC       |   | •                 |                   |                   |              |            |              |            |            |            |             |             |            |            |             |  |  |  |                   |                   |                   |                   |              |            |              |            |            |            |             |             |            |            |             |      |    |
|             | SPEED DRIVES ACS310 7,5KW                | 65311953   | FQC       |   |                   | •                 | •                 |              |            |              |            |            |            |             |             |            |            |             |  |  |  |                   |                   |                   |                   |              |            |              |            |            |            |             |             |            |            |             |      |    |
| 5091        | COOLING FAN/SPEED DRIVE ACS310 3-4KW     | 65311954   | FQC       | •   | •                 |                   |                   |              |            |              |            |            |            |             |             |            |            |             |  |  |  |                   |                   |                   |                   |              |            |              |            |            |            |             |             |            |            |             |      |    |
|             | COOLING FAN/SPEED DRIVE ACS310 5,5-7,5KW | 65312804   | FQC       |   |                   | •                 | •                 |              |            |              |            |            |            |             |             |            |            |             |  |  |  |                   |                   |                   |                   |              |            |              |            |            |            |             |             |            |            |             |      |    |
| 5092        | FILTER AERAT.IP54 125X125 ELDON EFA200R5 | 65311955   | FQC       | •   | •                 | •                 | •                 |              |            |              |            |            |            |             |             |            |            |             |  |  |  |                   |                   |                   |                   |              |            |              |            |            |            |             |             |            |            |             |      |    |
| 5110        | TERMINAL STRIP WAGO STRG.N6-9 GL-E/F3 TB | 65311439   | Etamatic  | •   | •                 | •                 | •                 |              |            |              |            |            |            |             |             |            |            |             |  |  |  |                   |                   |                   |                   |              |            |              |            |            |            |             |             |            |            |             |      |    |
| 5111        | CONNECTOR EMV CARRIER 3-6 MM             | 65311440   | Etamatic  | •   | •                 | •                 | •                 |              |            |              |            |            |            |             |             |            |            |             |  |  |  |                   |                   |                   |                   |              |            |              |            |            |            |             |             |            |            |             |      |    |



| ☉⇒   | Description                              | Manf. Pt. N | Type     |   |   |   |   |   |   |   |   |   |    |    |    |    |    |    |    |    |    | From | to |
|------|--|-------------|----------|---|---|---|---|---|---|---|---|---|----|----|----|----|----|----|----|----|----|------|----|
|      |  |             |          | 1 | 2 | 3 | 4 | 5 | 6 | 7 | 8 | 9 | 10 | 11 | 12 | 13 | 14 | 15 | 16 | 17 | 18 |      |    |
| 5112 | FEED-THROUGH TERMINAL (ORANGE) 2001-1202 | 65311441    | Etamatic | ● | ● | ● | ● |   |   |   |   |   |    |    |    |    |    |    |    |    |    |      |    |
| 5113 | CONNECTOR EMV CARRIER 6-8 MM             | 65311442    | Etamatic | ● | ● | ● | ● |   |   |   |   |   |    |    |    |    |    |    |    |    |    |      |    |
| 5114 | FEED-THROUGH TERMINAL (GREY) 2001-1201   | 65311443    | Etamatic | ● | ● | ● | ● |   |   |   |   |   |    |    |    |    |    |    |    |    |    |      |    |
| 5115 | FEED-THROUGH TERMINAL (EARTH) 2001-1207  | 65311444    | Etamatic | ● | ● | ● | ● |   |   |   |   |   |    |    |    |    |    |    |    |    |    |      |    |
| 5116 | FEED-THROUGH TERMINAL (EARTH) 2001-1407  | 65311445    | Etamatic | ● | ● | ● | ● |   |   |   |   |   |    |    |    |    |    |    |    |    |    |      |    |
| 5117 | OPERATING TOOL WAG 2009-309              | 65311446    | Etamatic | ● | ● | ● | ● |   |   |   |   |   |    |    |    |    |    |    |    |    |    |      |    |
| 5118 | FEED-THROUGH TERMINAL NEUTRAL 2001-1404  | 65311447    | Etamatic | ● | ● | ● | ● |   |   |   |   |   |    |    |    |    |    |    |    |    |    |      |    |
| 5119 | FEED-THROUGH TERMINAL NEUTRAL 2001-1204  | 65311448    | Etamatic | ● | ● | ● | ● |   |   |   |   |   |    |    |    |    |    |    |    |    |    |      |    |
| 5120 | FEED-THROUGH TERMINAL (GREY) 2001-1401   | 65311449    | Etamatic | ● | ● | ● | ● |   |   |   |   |   |    |    |    |    |    |    |    |    |    |      |    |
| 5121 | TEST LOAD ETAMATIC 663R1199              | 65311450    | Etamatic | ● | ● | ● | ● |   |   |   |   |   |    |    |    |    |    |    |    |    |    |      |    |
| 5122 | CABLE GLAND M16                          | 65311451    | Etamatic | ● | ● | ● | ● |   |   |   |   |   |    |    |    |    |    |    |    |    |    |      |    |
|      | CABLE GLAND M20                          | 65311758    | Etamatic | ● | ● | ● | ● |   |   |   |   |   |    |    |    |    |    |    |    |    |    |      |    |
|      | CABLE GLAND M25                          | 65311759    | Etamatic | ● | ● | ● | ● |   |   |   |   |   |    |    |    |    |    |    |    |    |    |      |    |
| 5123 | CLIC TOOL M16                            | 65311786    | Etamatic | ● | ● | ● | ● |   |   |   |   |   |    |    |    |    |    |    |    |    |    |      |    |
|      | CLIC TOOL M20                            | 65311787    | Etamatic | ● | ● | ● | ● |   |   |   |   |   |    |    |    |    |    |    |    |    |    |      |    |
|      | CLIC TOOL M25                            | 65311788    | Etamatic | ● | ● | ● | ● |   |   |   |   |   |    |    |    |    |    |    |    |    |    |      |    |
| 5150 | POWER SUPPLY ML30.100-24V DC             | 1758811789  |          | ● | ● | ● | ● |   |   |   |   |   |    |    |    |    |    |    |    |    |    |      |    |
| 5200 | MOTOR STARTER Y/D 7,5 KW LC3D090AP7      | 65311948    | Y/D      | ● | ● | ● | ● |   |   |   |   |   |    |    |    |    |    |    |    |    |    |      |    |
| 5210 | MOTOR CONTACTOR SCH D 3-4kW LC1D09P7     | 65311793    | Y/D      | ● | ● | ● | ● |   |   |   |   |   |    |    |    |    |    |    |    |    |    |      |    |
| 5300 | CONTROLLER RWF 55.50A9                   | 65114033    |          | ● | ● | ● | ● |   |   |   |   |   |    |    |    |    |    |    |    |    |    |      |    |

CB-N6/7 GL-E

Dual-Fuel burner

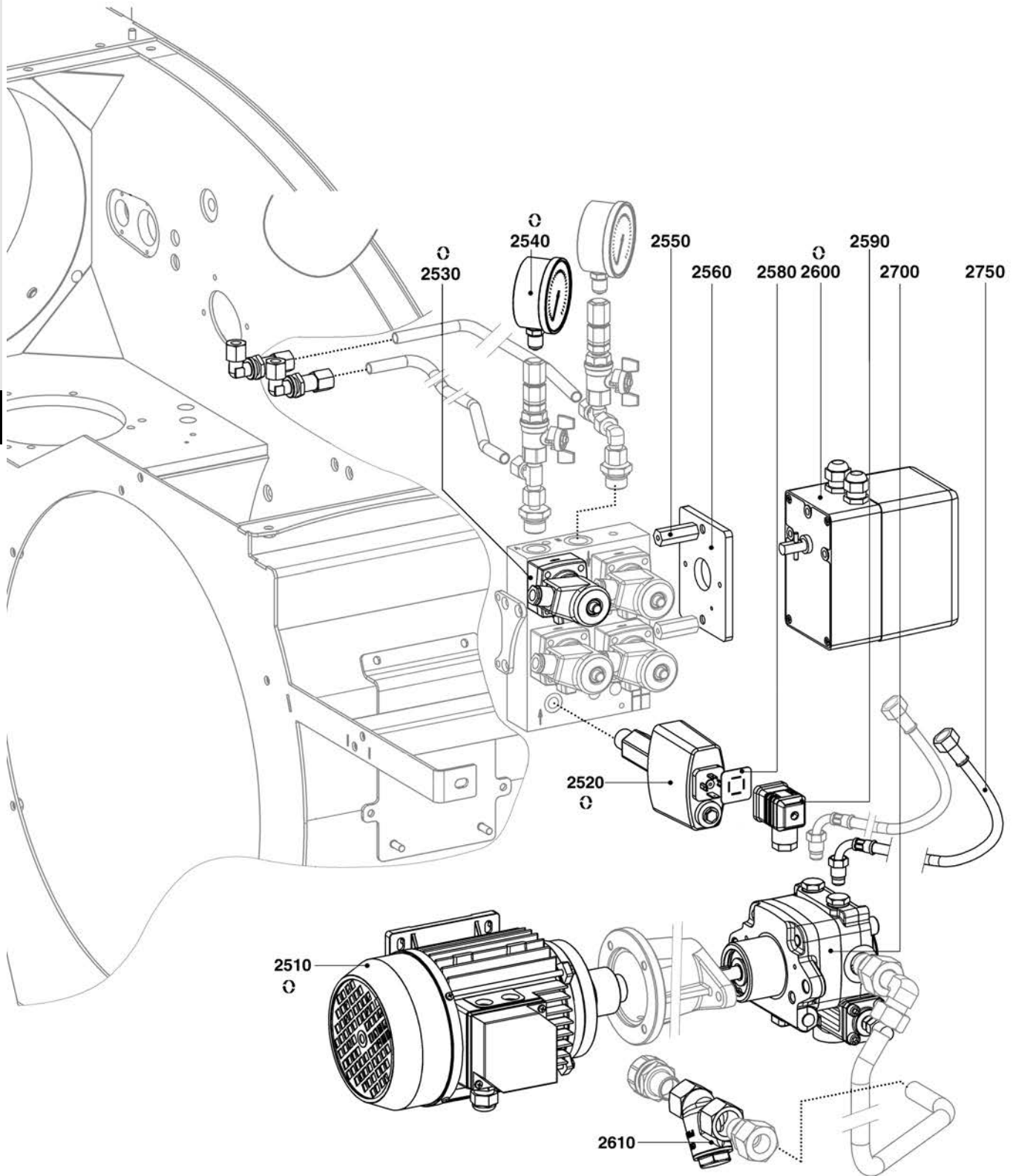




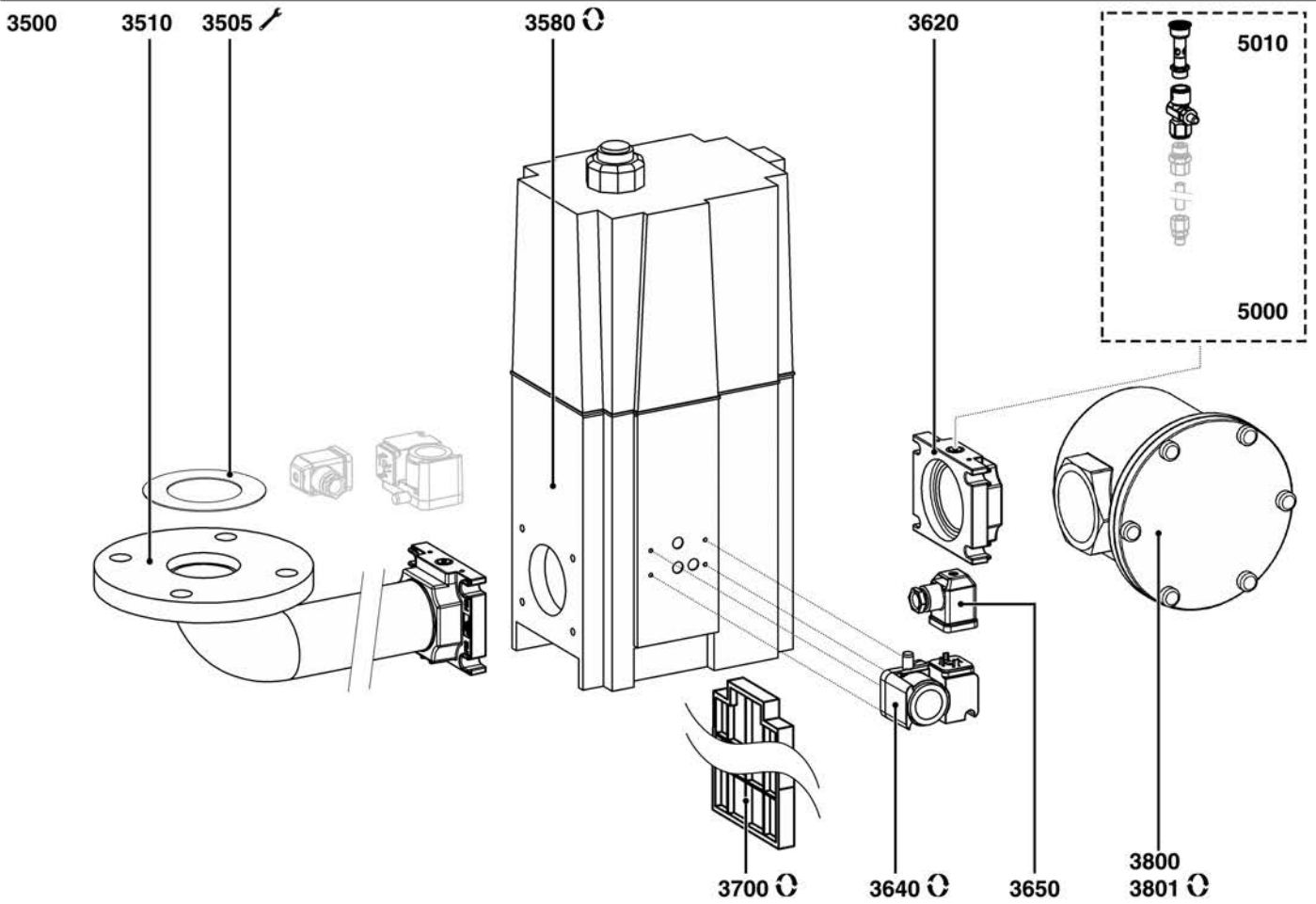
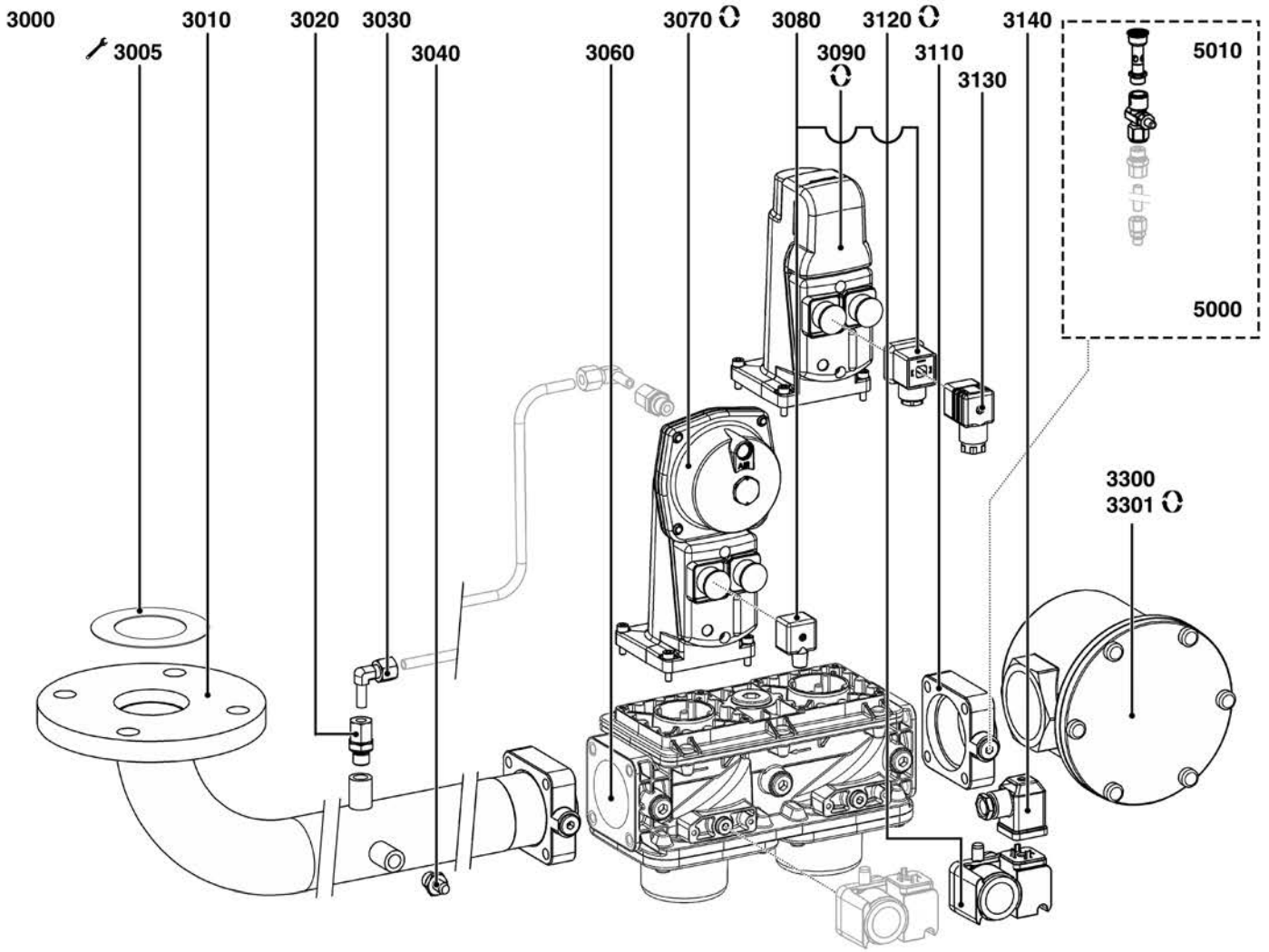
| ☉⇒   | Description                              | Manf. Pt. N | Type | <div style="display: flex; justify-content: space-between; font-size: 8px; font-weight: bold;"> <span>N 6.2400 GL-F BT3</span> <span>N 6.2500 GL-F BT3</span> <span>N 7.3600 GL-F BT3</span> <span>N 7.4500 GL-F BT3</span> <span>GT-SA51-111/2</span> <span>GT-SA52-2"</span> <span>GT-DA52-111/2</span> <span>GT-DA53-2"</span> <span>GT-SA53-85</span> <span>GT-SA54-80</span> <span>GT-SA55-100</span> <span>GT-DA56-125</span> <span>GT-DA57-65</span> <span>GT-DA55-80</span> <span>GT-DA56-100</span> </div> |   |   |   |   |   |   |   |   |    |    |    |    |    |    |    |    |    | From | to |
|------|--|-------------|------|---|---|---|---|---|---|---|---|---|----|----|----|----|----|----|----|----|----|------|----|
|      |  |             |      | 1   | 2 | 3 | 4 | 5 | 6 | 7 | 8 | 9 | 10 | 11 | 12 | 13 | 14 | 15 | 16 | 17 | 18 |      |    |
| 2000 | <b>COMBUSTION HEAD</b>                   |             |      |   |   |   |   |   |   |   |   |   |    |    |    |    |    |    |    |    |    |      |    |
| 2020 | FLAME TUBE D263/240/290/250 L380         | 65311848    | KN   | •   |   |   |   |   |   |   |   |   |    |    |    |    |    |    |    |    |    |      |    |
|      | FLAME TUBE D263/240/290/250 L500         | 65311849    | KM   | •   |   |   |   |   |   |   |   |   |    |    |    |    |    |    |    |    |    |      |    |
|      | FLAME TUBE D263/240/290/250 L620         | 65311850    | KL   | •   |   |   |   |   |   |   |   |   |    |    |    |    |    |    |    |    |    |      |    |
|      | FLAME TUBE D263/310/265 L380             | 65311851    | KN   |   | • |   |   |   |   |   |   |   |    |    |    |    |    |    |    |    |    |      |    |
|      | FLAME TUBE D263/310/265 L500             | 65311852    | KM   |   | • |   |   |   |   |   |   |   |    |    |    |    |    |    |    |    |    |      |    |
|      | FLAME TUBE D263/310/265 L620             | 65311853    | KL   |   | • |   |   |   |   |   |   |   |    |    |    |    |    |    |    |    |    |      |    |
|      | FLAME TUBE D325/275/340/280 L425         | 65311854    | KN   |   |   | • |   |   |   |   |   |   |    |    |    |    |    |    |    |    |    |      |    |
|      | FLAME TUBE D325/275/340/280 L555         | 65311855    | KM   |   |   | • |   |   |   |   |   |   |    |    |    |    |    |    |    |    |    |      |    |
|      | FLAME TUBE D325/275/340/280 L685         | 65311856    | KL   |   |   | • |   |   |   |   |   |   |    |    |    |    |    |    |    |    |    |      |    |
|      | FLAME TUBE D325/370/310 L425             | 65311857    | KN   |   |   |   | • |   |   |   |   |   |    |    |    |    |    |    |    |    |    |      |    |
|      | FLAME TUBE D325/370/310 L555             | 65311858    | KM   |   |   |   | • |   |   |   |   |   |    |    |    |    |    |    |    |    |    |      |    |
|      | FLAME TUBE D325/370/310 L685             | 65311859    | KL   |   |   |   | • |   |   |   |   |   |    |    |    |    |    |    |    |    |    |      |    |
| 2070 | IGNITION CABLE FZLSI 1X1,00Q-CU/SILICONE | 65313731    |      | •   | • | • | • |   |   |   |   |   |    |    |    |    |    |    |    |    |    |      |    |
| 2071 | ROUND CONNECTOR D6.4/IGNITION CABLE      | 65311374    |      | •   | • | • | • |   |   |   |   |   |    |    |    |    |    |    |    |    |    |      |    |
| 2072 | SLEEVE TYPE SUPPRESSOR                   | 13013226    |      | •   | • | • | • |   |   |   |   |   |    |    |    |    |    |    |    |    |    |      |    |
| 2110 | BAFFLE PLATE D238/45X36,5 8SL 6DRIL.     | 65311860    |      | •   | • | • |   |   |   |   |   |   |    |    |    |    |    |    |    |    |    |      |    |
|      | BAFFLE PLATE D280/62 12SL 6DRIL.         | 65311861    |      |   |   |   | • |   |   |   |   |   |    |    |    |    |    |    |    |    |    |      |    |
| 2130 | GAS NOZZLE D25/D16                       | 65311862    |      | •   | • | • |   |   |   |   |   |   |    |    |    |    |    |    |    |    |    |      |    |
|      | GAS NOZZLE D25/D18                       | 65311863    |      |   |   |   | • |   |   |   |   |   |    |    |    |    |    |    |    |    |    |      |    |
| 2190 | IGNITION ELECT.D9X50 D3X65 105°L150 D4   | 65310989    |      | •   | • | • | • |   |   |   |   |   |    |    |    |    |    |    |    |    |    |      |    |
| 2200 | IGNITION ELECT.D9X50 D3X71 20° L150 D4   | 65310990    |      | •   | • | • | • |   |   |   |   |   |    |    |    |    |    |    |    |    |    |      |    |
| 2220 | IGNITION ELECTRODE SUPPORT (OIL)         | 65311555    |      | •   | • | • | • |   |   |   |   |   |    |    |    |    |    |    |    |    |    |      |    |
| 2235 | NOZZLE FLU 180KG 50° W2                  | 65311393    |      | •   |   |   |   |   |   |   |   |   |    |    |    |    |    |    |    |    |    |      |    |
|      | NOZZLE FLU 250KG 50° W2                  | 65312605    |      |   | • |   |   |   |   |   |   |   |    |    |    |    |    |    |    |    |    |      |    |
|      | NOZZLE FLU 400KG 50° W2                  | 65323551    |      |   |   | • |   |   |   |   |   |   |    |    |    |    |    |    |    |    |    |      |    |
|      | NOZZLE FLU 450KG 50° W2                  | 65323552    |      |   |   |   | • |   |   |   |   |   |    |    |    |    |    |    |    |    |    |      |    |
| 2260 | O-RING 6387D97,79X5,33 NBR               | 65311491    |      | •   | • | • | • |   |   |   |   |   |    |    |    |    |    |    |    |    |    |      |    |
| 2360 | NOZZLE ROD GUIDE                         | 65311864    |      | •   | • | • | • |   |   |   |   |   |    |    |    |    |    |    |    |    |    |      |    |
| 2370 | GASKET/GASTUBE D74/45X3                  | 65321060    |      | •   | • | • | • |   |   |   |   |   |    |    |    |    |    |    |    |    |    |      |    |
| 2380 | NOZZLE ROD 1D 7/8Z L580                  | 65311867    | KN   | •   | • | • | • |   |   |   |   |   |    |    |    |    |    |    |    |    |    |      |    |
|      | NOZZLE ROD 1D 7/8Z L664                  | 65311866    | KM   | •   | • |   | • |   |   |   |   |   |    |    |    |    |    |    |    |    |    |      |    |
|      | NOZZLE ROD 1D 7/8Z L748                  | 65311868    | KL   | •   | • |   |   |   |   |   |   |   |    |    |    |    |    |    |    |    |    |      |    |
|      | NOZZLE ROD 1D 7/8Z L748                  | 65311868    | KM   |   |   |   | • |   |   |   |   |   |    |    |    |    |    |    |    |    |    |      |    |
|      | NOZZLE ROD 1D 7/8Z L832                  | 65311871    | KL   |   |   |   |   | • |   |   |   |   |    |    |    |    |    |    |    |    |    |      |    |
|      | NOZZLE ROD 1D 7/8Z L900                  | 65311815    | KL   |   |   |   |   |   | • |   |   |   |    |    |    |    |    |    |    |    |    |      |    |
| 2490 | OIL HOSE STAINLESS. F.EL,S 30BAR L400    | 65311873    |      | •   | • | • | • |   |   |   |   |   |    |    |    |    |    |    |    |    |    |      |    |

CB-N6/7 GL-E

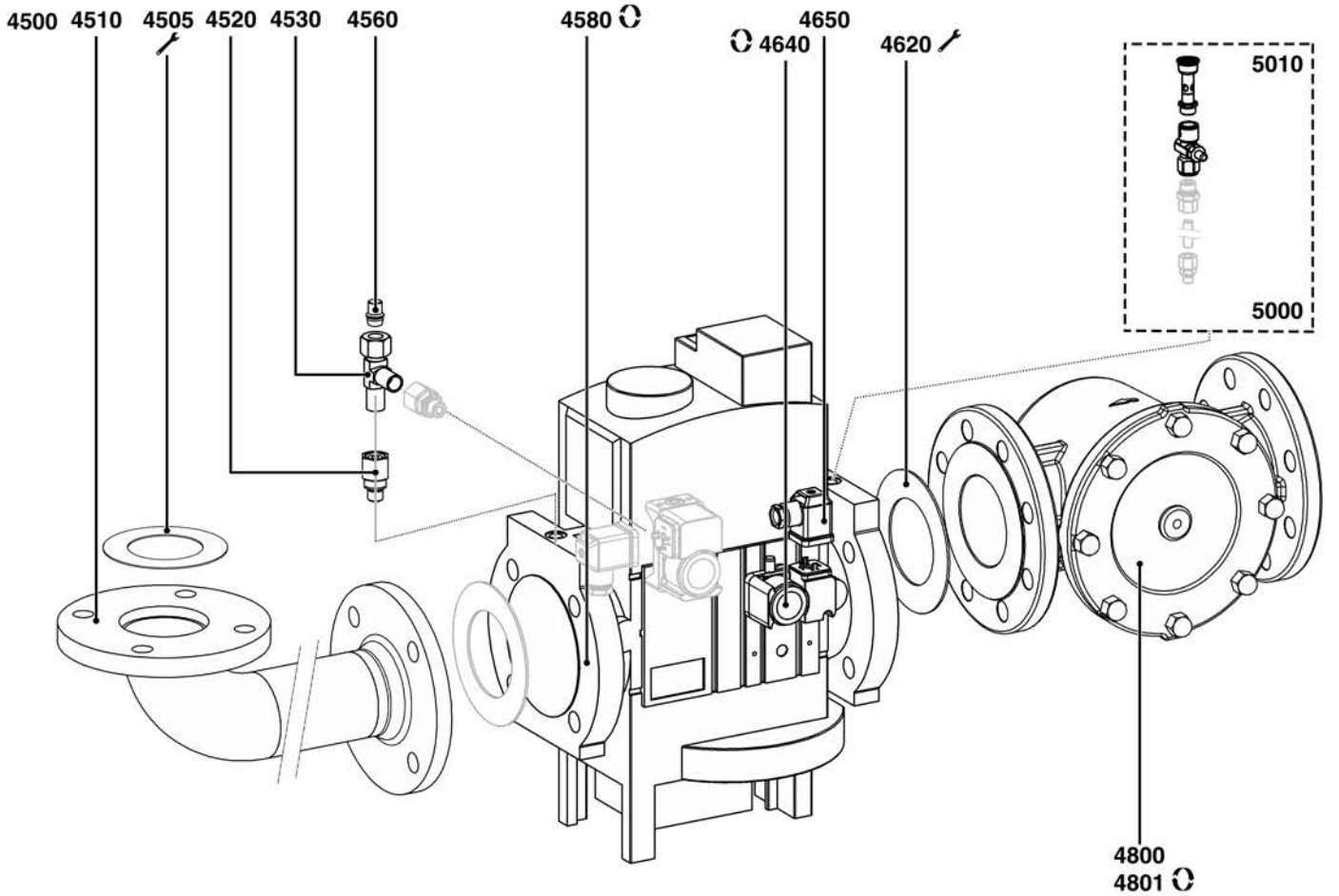
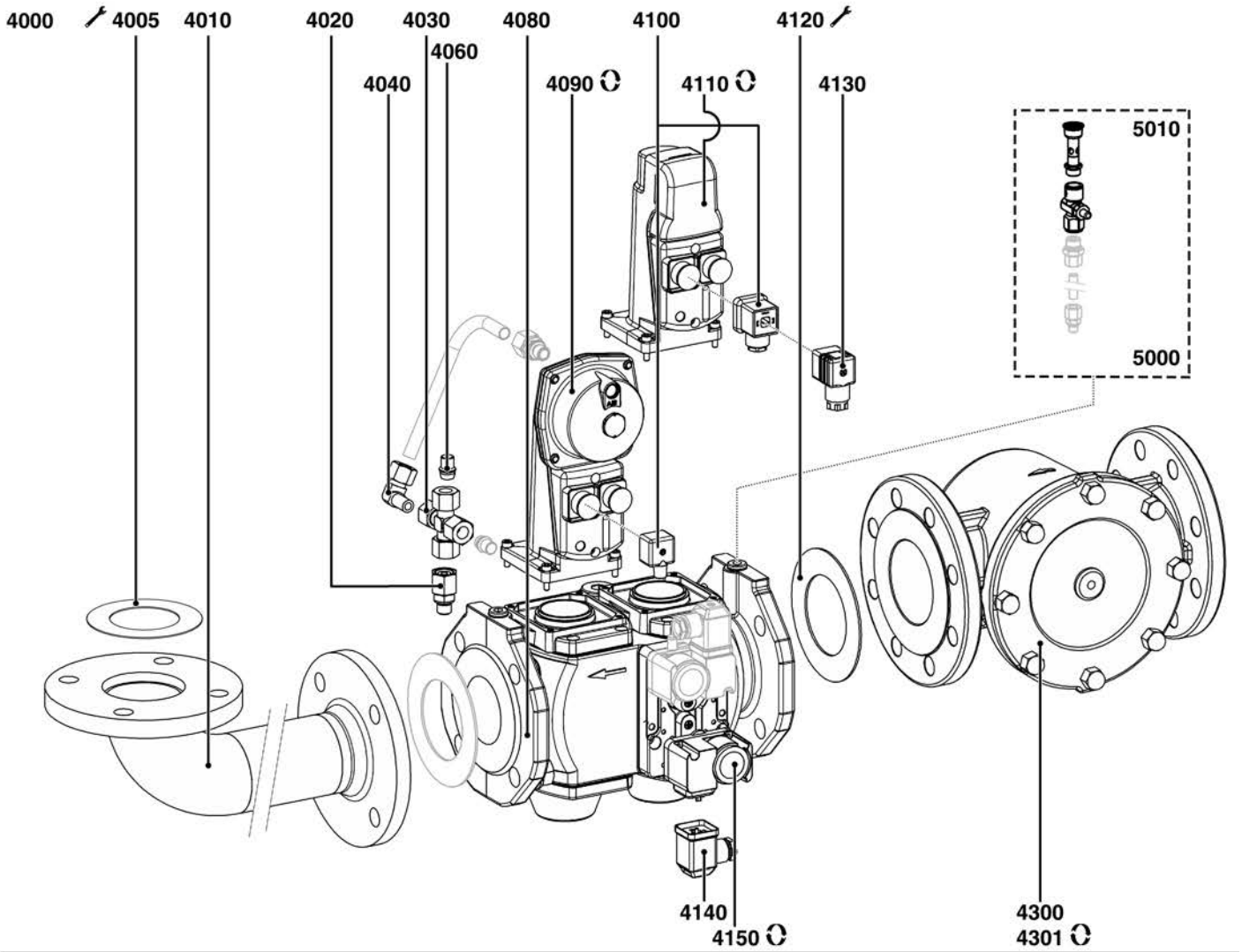
Dual-Fuel burner



| ☉⇒   | Description                           | Manf. Pt. N | Type        | <div style="display: flex; justify-content: space-between; font-size: 8px;"> <span>N 6.2400 GL-F BT3</span> <span>N 6.2500 GL-F BT3</span> <span>N 7.3600 GL-F BT3</span> <span>N 7.4500 GL-F BT3</span> <span>GT-SA51-111/2</span> <span>GT-SA52-2"</span> <span>GT-DA32-111/2</span> <span>GT-DA33-2"</span> <span>GT-SA53-85</span> <span>GT-SA54-80</span> <span>GT-SA55-100</span> <span>GT-DA3-125</span> <span>GT-DA4-65</span> <span>GT-DA5-80</span> <span>GT-DA56-100</span> </div> |   |   |   |   |   |   |   |   |    |    |    |    |    |    |    |    |    | From | to |
|------|---------------------------------------|-------------|-------------|---|---|---|---|---|---|---|---|---|----|----|----|----|----|----|----|----|----|------|----|
|      |                                       |             |             | 1   | 2 | 3 | 4 | 5 | 6 | 7 | 8 | 9 | 10 | 11 | 12 | 13 | 14 | 15 | 16 | 17 | 18 |      |    |
| 2500 | <b>HYDRAULICS</b>                     |             |             |   |   |   |   |   |   |   |   |   |    |    |    |    |    |    |    |    |    |      |    |
| 2510 | MOTOR 0,75KW 230/400V IE3 GMP         | 65311564    |             | •   | • |   |   |   |   |   |   |   |    |    |    |    |    |    |    |    |    |      |    |
|      | MOTOR 1,1KW230/400V IE3 GMP           | 65311829    |             |   |   | • |   |   |   |   |   |   |    |    |    |    |    |    |    |    |    |      |    |
|      | MOTOR 1,5KW230/400V IE3 GMP IP55      | 65325517    |             |   |   |   | • |   |   |   |   |   |    |    |    |    |    |    |    |    |    |      |    |
| 2520 | OIL PRESS.SWITCH DSB 158 F931 3-25BAR | 65312206    |             | •   | • | • | • |   |   |   |   |   |    |    |    |    |    |    |    |    |    |      |    |
| 2530 | SOLEN. VALVE LUC 121F2523 P8 PG11 19W | 13022667    | RL(Reflow)  | •   | • | • | • |   |   |   |   |   |    |    |    |    |    |    |    |    |    |      |    |
|      | SOLEN. VALVE LUC 321F2523 P8 PG11 19W | 13022666    | VL(Preflow) | •   | • | • | • |   |   |   |   |   |    |    |    |    |    |    |    |    |    |      |    |
| 2540 | MANOMETER GLYCERIN D 63 0-40 BAR G1/4 | 65311572    |             | •   | • | • | • |   |   |   |   |   |    |    |    |    |    |    |    |    |    |      |    |
| 2550 | SPACER M6/M8X42 SW15                  | 65311831    |             | •   | • | • | • |   |   |   |   |   |    |    |    |    |    |    |    |    |    |      |    |
| 2560 | ACTUATOR HOLDER                       | 65311832    |             | •   | • | • | • |   |   |   |   |   |    |    |    |    |    |    |    |    |    |      |    |
| 2580 | GASKET GDM 3-21                       | 65311616    |             | •   | • | • | • |   |   |   |   |   |    |    |    |    |    |    |    |    |    |      |    |
| 2590 | CONNECTOR GDMW 30-11 DF               | 65311615    |             | •   | • | • | • |   |   |   |   |   |    |    |    |    |    |    |    |    |    |      |    |
| 2600 | ACTUATOR STE 4,5 Q3.51/6+CABLE L3000  | 65311650    | BT3xx       | •   | • | • | • |   |   |   |   |   |    |    |    |    |    |    |    |    |    |      |    |
|      | ACTUATOR STM 40 Q15.51/8 2NR          | 65311833    | Etamatic    | •   | • | • | • |   |   |   |   |   |    |    |    |    |    |    |    |    |    |      |    |
| 2610 | STRAINER R3/4 INCH OVENTROP           | 65311578    |             | •   | • | • | • |   |   |   |   |   |    |    |    |    |    |    |    |    |    |      |    |
| 2700 | OIL PUMP HP UHE-A3-P-I-4-20           | 65311577    |             | •   | • | • | • |   |   |   |   |   |    |    |    |    |    |    |    |    |    |      |    |
| 2750 | OIL HOSE M30X1,5 DN20 L=1500          | 13019342    |             | •   | • | • | • |   |   |   |   |   |    |    |    |    |    |    |    |    |    |      |    |













|      |            | DE   |  | FR  |  | IT                                       |  |   |
|------|------------|--|--|---|--|--|--|---|
|      |            | NL   |  | ES  |  |  |  |   |
| 1005 | 65313830   | WINKELGELENKSTANGE L.160<br>AANDRIJSTANG/LUCHTKLEP L.160                             |  | AXE BIELLETTE/VOLET AIR L.160<br>BIELA DE ACCIONAM./VÁLVULA DE AIRE L.160         |  | PERNO BIELLA/SERRANDA DELL'ARIA L.160    |  | 1 |
| 1010 | 65311617   | FLANSCH 38X63X19 D12 T=100 GRD UFL001<br>FLENS 38X63X19 D12 T=100 GRD UFL001         |  | BRIDE 38X63X19 D12 T=100 GRD UFL001<br>BRIDA 38X63X19 D12 T=100 GRD UFL001        |  | FLANGIA 38X63X19 D12 T=100 GRD UFL001    |  | 1 |
|      | 65311967   | FLANSCH 37X62X15 D12 KFL001<br>FLENS 37X62X15 D12 KFL001                             |  | BRIDE 37X62X15 D12 KFL001<br>BRIDA 37X62X15 D12 KFL001                            |  | FLANGIA 37X62X15 D12 KFL001              |  | 1 |
| 1015 | 65313827   | HEBEL LUFTKLAPPENANTRIEB N6/7 AUSSEN<br>HEFBOOM AS LUCHTKLEP N6/7 EXTERN             |  | LEVIER ENTR. VOLET AIR EXTERNE N6/7<br>PALANCA EJE VALVULA AIRE N6/7 EXTERNO      |  | LEVA PERNO SERRANDA ARIA N6/7 INTERNO    |  | 1 |
| 1020 | 65311657   | VERSTELLANZEIGER LUFTKLAPPE<br>INDICATOR LUCHTKLEP                                   |  | INDICATEUR POSITION VOLET AIR<br>INDICADOR VALVULA AIRE                           |  | INDICE POSIZIONE SERRANDA ARIA           |  | 1 |
| 1025 | 65313955   | HEBEL LUFTKLAPPENANTRIEB N6/7 INNEN<br>HEFBOOM AS LUCHTKLEP N6/7 INTERN              |  | LEVIER ENTR. VOLET AIR INTERNE N6/7<br>PALANCA EJE VALVULA AIRE N6/7 INTERNO      |  | LEVA PERNO SERRANDA ARIA N6/7 INTERNO    |  | 1 |
| 1040 | 65311474   | ANSAUGTRICHTER<br>LUCHTGELEIDER  |  | GUIDE AIR<br>CANALIZACIÓN AIRE  |  | GUIDA ARIA                               |  | 1 |
|      | 65311490   | ANSAUGTRICHTER<br>LUCHTGELEIDER  |  | GUIDE AIR<br>CANALIZACIÓN AIRE  |  | GUIDA ARIA                               |  | 1 |
| 1050 | 1180603227 | SCHAUGLAS F.MONOBL.KLAR D55X21<br>KIJKGLAS D55X21                                    |  | VERRE DE REGARD D55X21 CLAIR<br>MIRILLA INCOLORA D55X21                           |  | SPIONCINO INCOLORE D55X21                |  | 1 |
| 1060 | 1188052260 | SCHAUGLASDECKEL Z.MONOBL.55X61<br>DEKSEL/KIJKGLAS D55X61                             |  | CACHE REGARD D55X61<br>TAPA/MIRILLA D55X61  |  | COPERCHIO/SPIONCINO D55X61               |  | 1 |
| 1070 | 1180559591 | MUTTER SCHAUGLAS M48X1,5 SW60<br>MOER/KIJKGLAS M48X1,5 SW60                          |  | ECROU REGARD M48X1,5 SW60<br>TUERCA/MIRILLA M48X1,5 SW60                          |  | DADO/SPIONCINO M48X1,5 SW60              |  | 1 |
| 1080 | 65311473   | VENTILATORRAD D450/252X90-D38+ENTSC.D58<br>VENTILATORWIEL D450/252X90 D38+PLATE D58  |  | TURBINE D450/252X90 D38+PLAQUE D58/12<br>TURBINA D450/252X90 D38+PLACA D58/12     |  | VENTOLA D450/252X90 D38+PIASTRA D58/12   |  | 1 |
|      | 65311489   | VENTILATORRAD D438/225X89-D28+ENTSC.D58<br>VENTILATORWIEL D438/225X89 D28+PLATE D58  |  | TURBINE D438/225X89 D28+PLAQUE D58/12<br>TURBINA D438/225X89 D28+PLACA D58/12     |  | VENTOLA D438/225X89 D28+PIASTRA D58/12   |  | 1 |
|      | 65311822   | VENTILATORRAD D485/252X102-D38+ENTSC.D58<br>VENTILATORWIEL D485/252X102D38+PLATE D58 |  | TURBINE D485/252X102 D38+PLAQUE D58/12<br>TURBINA D485/252X102 D38+PLACA D58/12   |  | VENTOLA D485/252X102 D38+PIASTRA D58/12  |  | 1 |
| 1090 | 65311471   | ZUENDTRAF0 EBI 1X11 230V<br>ONTSTEKINGSTRAFO EBI 1X11 230V                           |  | ALLUMEUR EBI 1X11 230V<br>ENCENDEDOR EBI 1X11 230V                                |  | TRASFORMATORE ACCENSIONE EBI 1X11 230V   |  | 1 |
| 1095 | 65310925   | ZUENDTRAF0 EBI 2X7,5 230V<br>ONTSTEKINGSTRAFO EBI 2X7,5 230V                         |  | ALLUMEUR EBI 2X7,5 230V<br>ENCENDEDOR EBI 2X7,5 230V                              |  | TRASFORMATORE ACCENSIONE EBI 2X7,5 230V  |  | 1 |
| 1100 | 65311472   | SICHTSPIEGEL FÜR SCHAUGLAS<br>SPIEGEL/KIJKGLAS                                       |  | MIROIR/REGARD<br>ESPEJO/MIRILLA   |  | SPECCHIO/SPIONCINO                       |  | 1 |
| 1110 | 65311595   | DRUCKWAECHTER LGW 50 A2P 2,5-50MBAR<br>LUCHTDRIUKSCHAKELAAR LGW 50 A2P 2,5-50MB      |  | MANOSTAT AIR LGW 50 A2P 2,5-50MB<br>PRESOSTATO AIRE LGW 50 A2P 2,5-50MB           |  | PRESSOSTATO ARIA LGW 50 A2P 2,5-50MB     |  | 1 |
| 1115 | 1758106258 | UV-ZELLE QRA-2 O.KABEL<br>FOTOCEL QRA 2  |  | CELLULE QRA 2<br>CELULA QRA 2   |  | CELLULA QRA 2                            |  | 1 |
| 1120 | 65311544   | GASKLAPPE KPL N 6 / 7<br>GASKLEP EQ. N6/7  |  | CLAPET GAZ EQ. N6/7<br>VALVOLA DEL GAS EQ. N6/7                                   |  | VALVOLA DEL GAS COMPL. N6/7              |  | 1 |
| 1160 | 65311650   | STELLANTRIEB STE 4,5 Q3.51/6+KABEL L3000<br>SERVOMOTOR STE 4,5 Q3.51/6+CABLE L3000   |  | SERVOMOTEUR STE 4,5 Q3.51/6+CABLE L3000<br>SERVOMOTOR STE 4,5 Q3.51/6+CABLE L3000 |  | SERVOMOTORE STE 4,5 Q3.51/6+CAVO L3000   |  | 1 |
| 1170 | 65311824   | MOTOR 3,0KW 3000/MIN 400/690V IE3 GRAU<br>MOTOR 3KW 400/690V D28 IE3 GRIJS           |  | MOTEUR 3KW 400/690V D28 IE3 GRIS<br>MOTOR 3KW 400/690V D28 IE3 GRIS               |  | MOTORE 3KW 400/690V D28 IE3 GRIGIO       |  | 1 |
|      | 65312556   | MOTOR 4,0KW 400/690V D28 IE3 SCHWARZ<br>MOTOR 4,0KW 400/690V D28 IE3 ZWART           |  | MOTEUR 4,0KW 400/690V D28 IE3 NOIR<br>MOTOR 4,0KW 400/690V D28 IE3 NEGRO          |  | MOTORE 4,0KW 400/690V D28 IE3 NERO       |  | 1 |
|      | 65312557   | MOTOR 5,5KW 400/690V D38 IE3 SCHWARZ<br>MOTOR 5,5KW 400/690V D38 IE3 ZWART           |  | MOTEUR 5,5KW 400/690V D38 IE3 NOIR<br>MOTOR 5,5KW 400/690V D38 IE3 NEGRO          |  | MOTORE 5,5KW 400/690V D38 IE3 NERO       |  | 1 |
|      | 65312835   | MOTOR 7,5KW 400/690V D38 IE3 AF GRAU<br>MOTOR 7,5KW 400/690V D38 IE3 AF GRIJS        |  | MOTEUR 7,5KW 400/690V D38 IE3 AF GRIS<br>MOTOR 7,5KW 400/690V D38 IE3 AF GRIS     |  | MOTORE 7,5KW 400/690V D38 IE3 AF GRIGIO  |  | 1 |
| 1180 | 65311502   | MAGNET FÜR HAUBE<br>MAGNEET FEST BRANDERKAP  |  | AIMANT FIXE CAPOT BRULEUR<br>IMÁN FIJO CUBIERTA QUEMADOR                          |  | MAGNETE FISSA COFANO BRUCIATORE          |  | 1 |
| 1200 | 65311476   | WELLE / LUFTKLAPPE 12X12X510<br>AS / LUCHTKLEP 12X12X510                             |  | AXE / VOLET AIR 12X12X510<br>EJE / VALVULA AIRE 12X12X510                         |  | PERNO / SERRANDA ARIA 12X12X510          |  | 1 |
| 1205 | 65311477   | LUFTKLAPPE N6/7<br>LUCHTKLEP N6/7  |  | VOLET AIR N6/7<br>VÁLVULA AIRE N6/7   |  | SERRANDA ARIA N6/7                       |  | 1 |
|      | 65313954   | LUFTKLAPPEN N6/N7 + WELLEN<br>LUCHTKLEPPEN N6/N7 + SCHACHTEN                         |  | VOLETS D'AIR N6/N7 + AXES<br>VALVULAS AIRE N6/N7 + EJES                           |  | SERRANDE ARIA N6/N7 + PERNI              |  | 1 |
| 1250 | 65313969   | ÜBERTRAGUNGSHEBEL STELLANTRIEB<br>TRANSMISSIEHENDEL REGELMOTOR                       |  | LEVIER DE TRANSMISSION SERVOMOTEUR<br>PALANCA DE TRANSMISSION SERVOMOTOR          |  | LEVA DI TRASMISSIONE SERVOMOTORE         |  | 1 |
| 1260 | 65313970   | WINKELGELENKSTANGE L.120<br>AANDRIJSTANG/LUCHTKLEP L.120                             |  | AXE BIELLETTE/VOLET AIR L.120<br>BIELA DE ACCIONAM./VÁLVULA DE AIRE L.120         |  | PERNO BIELLA/SERRANDA DELL'ARIA L.120    |  | 1 |
| 1300 | 65313915   | DECKBLECH 76X56X2.5<br>AFDEKPLAAT 76X56X2.5  |  | PLAQUE DE COUVERTURE 76X56X2.5<br>PLACA DE CUBIERTA 76X56X2.5                     |  | PIASTRA DI COPERTURA 76X56X2.5           |  | 1 |
| 1605 | 65311789   | ADAPTER BT300/DFM300 RAST5<br>ADAPTER BT300/DFM300 RAST5                             |  | ADAPTATEUR BT300/DFM300 RAST5<br>ADAPTADOR BT300/DFM300 RAST5                     |  | ADATTATORE BT300/DFM300 RAST5            |  | 1 |
| 1610 | 65311790   | LCM100 (LSB-M 667R0500-1)<br>LCM100-MODULE (LSB-M 667R0500-1)                        |  | MODULE LCM100 (LSB-M 667R0500-1)<br>MÓDULO LCM100 (LSB-M 667R0500-1)              |  | MODULO LCM100 (LSB-M 667R0500-1)         |  | 1 |
| 1615 | 65311791   | DFM300 (LSB-M 667R0600-1)<br>DFM300-MODULE (LSB-M 667R0600-1)                        |  | MODULE DFM300 (LSB-M 667R0600-1)<br>MÓDULO DFM300 (LSB-M 667R0600-1)              |  | MODULO DFM300 (LSB-M 667R0600-1)         |  | 1 |
| 1620 | 65311449   | DURCHGANGSKLEMME WAGO (GRAU) 2001-1401<br>DOORVERBINDINGSKLEM WAGO GRIJS 2001-1401   |  | BORNE DE JONCTION WAGO (GRIS) 2001-1401<br>BORNE DE PASO WAGO (GRIS) 2001-1401    |  | MORSETTO PASSANTE WAGO (GRIGIO)2001-1401 |  | 1 |





| ☞    | XXXXXXXX | DE   | FR   | IT                                       | X |
|------|----------|--|--|--|---|
|      |          | NL   | ES   |  |   |
| 1625 | 65311447 | DURCHGANGSKLEMME WAGO (NEUTRAL)2001-1404<br>DOORVERBINDINGSKLEM WAGO (N) 2001-1404   | BORNE DE JONCTION WAGO (NEUTRE)2001-1404<br>BORNE DE PASO WAGO (NEUTRO) 2001-1404  | MORSETTO PASSANTE WAGO (NEUTRO)2001-1404 | 1 |
| 1626 | 65311445 | DURCHGANGSKLEMME WAGO (PE) 2001-1407<br>DOORVERBINDINGSKLEM WAGO (PE) 2001-1407      | BORNE DE JONCTION WAGO (TERRE) 2001-1407<br>BORNE DE PASO WAGO (PE) 2001-1407      | MORSETTO PASSANTE WAGO (TERRA) 2001-1407 | 1 |
| 1640 | 65311446 | WAG BETAETIGUNGSWERKZEUG 2009-309<br>BEDIENINGSGEREEDSCHAP WAG 2009-309              | OUTIL DE MANOEUVRE WAG 2009-309<br>HERRAMIENTA D.ACCIONAM. WAG 2009-309            | DISPOSITIVO DI MANOVRA WAG 2009-309      | 1 |
| 1645 | 65311793 | MOTORSCHUETZ SCH D 3-4KW LC1D09P7<br>CONTACT MOTOR SCH D 3-4kW LC1D09P7              | CONTACTEUR MOTEUR SCH D 3-4kW LC1D09P7<br>CONTACTOR DE MOTOR SCH D 3-4kW LC1D09P7  | CONTATTORE MOTORE SCH D 3-4kW LC1D09P7   | 1 |
| 1650 | 65311945 | MOTORSCHUTZSCHALTER 0.75KW GV2ME07<br>VERMOGENSCHAKEL. MOTOR 0,75KW GV2ME07          | DISJONCTEUR MOTEUR 0,75KW GV2ME07<br>INTERRUPTOR MOTOR 0,75KW GV2ME07              | INTERRUTTORE MOTORE 0,75KW GV2ME07       | 1 |
|      | 65311946 | MOTORSCHUTZSCHALTER 1.1-1.5KW GV2ME08<br>VERMOGENSCHAKEL. MOTOR 1,1-1,5KW GV2ME      | DISJONCTEUR MOTEUR 1,1-1,5KW GV2ME08<br>INTERRUPTOR MOTOR 1,1-1,5KW GV2ME08        | INTERRUTTORE MOTORE 1,1-1,5KW GV2ME08    | 1 |
| 1651 | 65311795 | HILFSSCHALTER GVAE11<br>HULPSCHAKELAAR GVAE11  | CONTACT AUXILIAIRE GVAE11<br>INTERRUPTOR AUXILIAR GVAE11                           | INTERRUTTORE AUSILIARIO GVAE11           | 1 |
| 1655 | 65311793 | MOTORSCHUETZ SCH D 3-4KW LC1D09P7<br>CONTACT MOTOR SCH D 3-4kW LC1D09P7              | CONTACTEUR MOTEUR SCH D 3-4kW LC1D09P7<br>CONTACTOR DE MOTOR SCH D 3-4kW LC1D09P7  | CONTATTORE MOTORE SCH D 3-4kW LC1D09P7   | 1 |
|      | 65311947 | MOTORSCHUETZ SCH D 3-7,5KW LC1D18P7<br>CONTACT MOTOR SCH D 3-7,5KW LC1D18P7          | CONTACTEUR MOTEUR SCH D 3-7,5KW LC1D18P7<br>CONTACTOR MOTOR SCH D 3-7,5KW LC1D18P7 | CONTATTORE MOTORE SCH D 3-7,5KW LC1D18P7 | 1 |
|      | 65312032 | MOTORSCHUETZ SCH D 5,5kW LC1D12P7<br>CONTACT MOTOR SCH D 5,5kW LC1D12P7              | CONTACTEUR MOTEUR SCH D 5,5kW LC1D12P7<br>CONTACTOR DE MOTOR SCH D 5,5kW LC1D12P7  | CONTATTORE MOTORE SCH D 5,5kW LC1D12P7   | 1 |
| 1660 | 65311776 | MOTORSCHUTZSCHALTER 7,5kW GV2ME20<br>VERMOGENSCHAKEL. MOTOR 7,5 kW GV2ME20           | DISJONCTEUR MOTEUR 7,5 kW GV2ME20<br>INTERRUPTOR MOTOR 7,5 kW GV2ME20              | INTERRUTTORE MOTORE 7,5 kW GV2ME20       | 1 |
|      | 65311794 | MOTORSCHUTZSCHALTER 3-4KW GV2ME14<br>VERMOGENSCHAKEL. MOTOR 3-4KW GV2ME14            | DISJONCTEUR MOTEUR 3-4KW GV2ME14<br>INTERRUPTOR MOTOR 3-4KW GV2ME14                | INTERRUTTORE MOTORE 3-4KW GV2ME14        | 1 |
|      | 65312033 | MOTORSCHUTZSCHALTER 5,5kW GV2ME16<br>VERMOGENSCHAKEL. MOTOR 5,5kW GV2ME16            | DISJONCTEUR MOTEUR 5,5kW GV2ME16<br>INTERRUPTOR MOTOR 5,5kW GV2ME16                | INTERRUTTORE MOTORE 5,5kW GV2ME16        | 1 |
| 1661 | 65311795 | HILFSSCHALTER GVAE11<br>HULPSCHAKELAAR GVAE11  | CONTACT AUXILIAIRE GVAE11<br>INTERRUPTOR AUXILIAR GVAE11                           | INTERRUTTORE AUSILIARIO GVAE11           | 1 |
| 1665 | 65311919 | GERAETETRAEGER 3-FACH M22-A<br>APPARATENHOUDER, 3-VOUDIG M22-A                       | SUPPORT EQUIPEMENT, 3 NIVEAUX M22-A<br>SOPORTE PARA APARATO, 3 NIVELES M22-A       | SUPPORTO STRUMENTI, 3 LIVELLI M22-A      | 1 |
| 1666 | 65311443 | DURCHGANGSKLEMME WAGO (GRAU) 2001-1201<br>DOORVERBINDINGSKLEM WAGO GRIJS 2001-1201   | BORNE DE JONCTION WAGO (GRIS) 2001-1201<br>BORNE DE PASO WAGO (GRIS) 2001-1201     | MORSETTO PASSANTE WAGO (GRIGIO)2001-1201 | 1 |
| 1667 | 65311444 | DURCHGANGSKLEMME WAGO (PE) 2001-1207<br>DOORVERBINDINGSKLEM WAGO (PE) 2001-1207      | BORNE DE JONCTION WAGO (TERRE) 2001-1207<br>BORNE DE PASO WAGO (PE) 2001-1207      | MORSETTO PASSANTE WAGO (TERRA) 2001-1207 | 1 |
| 1670 | 65311920 | LED-W FRONTBEF. M22-CLED230-WS<br>LED-ELEMENT, WIT M22-CLED230                       | ELEMENT LED, BLANC M22-CLED230<br>ELEMENTO LED, BLANCO M22-CLED230                 | ELEMENTO A LED, BIANCO M22-CLED230       | 1 |
|      | 65311921 | KONT. OE FRONTBEF. M22 -CK01<br>VERBREEKCONTACT M22 -CK01                            | CONTACT A OUVERTURE M22 -CK01<br>CONTACTO DE APERTURA M22 -CK01                    | CONTATTO DI APERTURA M22 -CK01           | 1 |
|      | 65311922 | DOPPELKONT. 2OE FRONTBEF. M22-CK02<br>DUBBEL VERBREEKCONTACT M22-CK02                | CONTACT A DOUBLE OUVERTURE M22-CK02<br>CONTACTO DE APERTURA DOBLE M22-CK02         | CONTATTO A DOPPIA APERTURA M22-CK02      | 1 |
|      | 65311923 | KONT. S FRONTBEF. M22-CK10<br>MAAKCONTACT M22-CK10                                   | CONTACT A FERMETURE M22-CK10<br>CONTACTO DE CIERRE M22-CK10                        | CONTATTO DI CHIUSURA M22-CK10            | 1 |
|      | 65311924 | DOPPELKONT. 2S FRONTBEF. M22-CK20<br>DUBBEL MAAKCONTACT M22-CK20                     | CONTACT A DOUBLE FERMETURE M22-CK20<br>CONTACTO DE CIERRE DOBLE M22-CK20           | CONTATTO A DOPPIA CHIUSURA M22-CK20      | 1 |
| 1675 | 65312454 | FEUERUNGSAUTOMAT BT340 GL-E<br>BRANDERAUTOMAAT BT340 GL-E                            | COFFRET BT340 GL-E<br>PROGRAMADOR BT340 GL-E                                       | APPARECCHIATURA BT340 GL-E               | 1 |
| 1676 | 65311926 | LAMTEC BT300-BLINDABD.X30-X34 667R0001<br>BLINDE AFDEKKING X30-X34 667R0001          | CACHE X30-X34 667R0001<br>CUBIERTA X30-X34 667R0001                                | COPERTURA SCHERMATA X30-X34 667R0001     | 1 |
| 1680 | 65311927 | DURCHGANGSKLEMME WAGO (ORANGE) 2001-1402<br>DOORVERBINDINGSKLEM WAGO ORANGE2001-1402 | BORNE DE JONCTION WAGO (ORANGE)2001-1402<br>BORNE DE PASO WAGO (NARANJA) 2001-1402 | MORSETTO PASSANTE WAGO(ARANCIO)2001-1402 | 1 |
| 1685 | 65311445 | DURCHGANGSKLEMME WAGO (PE) 2001-1407<br>DOORVERBINDINGSKLEM WAGO (PE) 2001-1407      | BORNE DE JONCTION WAGO (TERRE) 2001-1407<br>BORNE DE PASO WAGO (PE) 2001-1407      | MORSETTO PASSANTE WAGO (TERRA) 2001-1407 | 1 |
| 1690 | 65311449 | DURCHGANGSKLEMME WAGO (GRAU) 2001-1401<br>DOORVERBINDINGSKLEM WAGO GRIJS 2001-1401   | BORNE DE JONCTION WAGO (GRIS) 2001-1401<br>BORNE DE PASO WAGO (GRIS) 2001-1401     | MORSETTO PASSANTE WAGO (GRIGIO)2001-1401 | 1 |
| 1695 | 65311447 | DURCHGANGSKLEMME WAGO (NEUTRAL)2001-1404<br>DOORVERBINDINGSKLEM WAGO (N) 2001-1404   | BORNE DE JONCTION WAGO (NEUTRE)2001-1404<br>BORNE DE PASO WAGO (NEUTRO) 2001-1404  | MORSETTO PASSANTE WAGO (NEUTRO)2001-1404 | 1 |
| 1700 | 65311451 | KABELVERSCHRAUBUNG M16<br>PAKKINGBUS M16   | PRESSE-ETOUPE M16<br>PRENSAESTOPAS M16   | PREMISTOPPA M16                          | 1 |
|      | 65311758 | KABELVERSCHRAUBUNG M20<br>PAKKINGBUS M20   | PRESSE-ETOUPE M20<br>PRENSAESTOPAS M20   | PREMISTOPPA M20                          | 1 |
|      | 65311759 | KABELVERSCHRAUBUNG M25<br>PAKKINGBUS M25   | PRESSE-ETOUPE M25<br>PRENSAESTOPAS M25   | PREMISTOPPA M25                          | 1 |
| 1701 | 65311786 | DEMONTAGWERKZEUG KABELVER. CLICK M16<br>CLIC TOOL M16                                | OUTIL CLIC M16<br>CLIC TOOL M16  | CLIC TOOL M16                            | 1 |
|      | 65311787 | DEMONTAGWERKZEUG KABELVER. CLICK M20<br>CLIC TOOL M20                                | OUTIL CLIC M20<br>CLIC TOOL M20  | CLIC TOOL M20                            | 1 |
|      | 65311788 | DEMONTAGWERKZEUG KABELVER. CLICK M25<br>CLIC TOOL M25                                | OUTIL CLIC M25<br>CLIC TOOL M25  | CLIC TOOL M25                            | 1 |
| 1705 | 65311443 | DURCHGANGSKLEMME WAGO (GRAU) 2001-1201<br>DOORVERBINDINGSKLEM WAGO GRIJS 2001-1201   | BORNE DE JONCTION WAGO (GRIS) 2001-1201<br>BORNE DE PASO WAGO (GRIS) 2001-1201     | MORSETTO PASSANTE WAGO (GRIGIO)2001-1201 | 1 |
| 1710 | 65311441 | DURCHGANGSKLEMME WAGO (ORANGE) 2001-1202<br>DOORVERBINDINGSKLEM WAGO ORANGE2001-1202 | BORNE DE JONCTION WAGO (ORANGE)2001-1202<br>BORNE DE PASO WAGO (NARANJA) 2001-1202 | MORSETTO PASSANTE WAGO(ARANCIO)2001-1202 | 1 |

|      |          | DE<br>NL   | FR<br>ES   | IT                                       | X |
|------|----------|--|--|--|---|
| 1715 | 65311931 | LEITG.SCHUTZS BA 1P SCHNEIDER 23614<br>ZEKERING 1P SCHNEIDER 23614               | COUPE-CIRCUIT AUTOMATIQUE 1P SCHNEIDER 2<br>FUSIBLE AUTOMÁTICO                       | INTERRUTTORE AUTOMATICO 1P SCHNEIDER 236 | 1 |
| 1716 | 65311932 | KLEMMLEISTE WAGO STRG. N6-9 GL-E BT<br>KLEMMENSTROOK WAGO STRG. N6-9 GL-E BT     | BORNIER WAGO STRG. N6-9 GL-E BT<br>REGLETA DE BORNES WAGO STRG.N6-9 GL-E BT          | MORSETTIERA WAGO STRG. N6-9 GL-E BT      | 1 |
| 1735 | 65311436 | EATON SCHALTER 3 ST. R M22-WRLK3-W<br>VERLICHTE KEUZESCHAK., 3STANDEN, BLOKK.    | SELECTEUR RETRO-ECL., 3 POS.,VERROUILL.<br>BOTÓN DE SELEC. LUMIN., 3 NIVELES, ENCAJ  | TASTO DI SELEZ. ILLUM., A 3 STADI, STABI | 1 |
| 1740 | 65311437 | EATON SCHALTER 3 ST. T M22-WLK3-W<br>VERLICHTE KEUZESCHAK., 3STANDEN, BLOKK.     | SELECTEUR RETRO-ECL., 3 POS.,VERROUILL.<br>BOTÓN DE SELEC. LUMIN., 3 NIVELES, ENCAJ  | TASTO DI SELEZ. ILLUM., A 3 STADI, STABI | 1 |
| 1745 | 65326869 | ANZEIGE FÜR FEUERUNGSAUTOMAT BT3XX<br>DISPLAY VOOR BRANDERAUTOMAT BT3XX          | AFFICHEUR POUR COFFRET BT3XX<br>PANTALLA PARA PROGRAMADOR BT3XX                      | DISPLAY PER APPARECCHIATURA BT3XX        | 1 |
| 1750 | 65311364 | DICHTUNG/ANZEIGE 152/140X80/70X2<br>PAKKING/DISPLAY 152/140X80/70X2              | JOINT/AFFICHEUR 152/140X80/70X2<br>JUNTA/PANTALLA 152/140X80/70X2                    | GUARNIZIONE/DISPLAY 152/140X80/70X2      | 1 |
| 1755 | 65311438 | EATON SCHALTER 2 ST. R M22-WRLK-W<br>VERLICHTE KEUZESCHAK., 2STANDEN, BLOKK.     | SELECTEUR RETRO-ECL., 2 POS.,VERROUILL.<br>BOTÓN DE SELEC. LUMIN., 2 NIVELES, ENCAJ  | TASTO DI SELEZ. ILLUM., A 2 STADI, STABI | 1 |
| 2020 | 65311848 | BRENNERROHR D263/240/290/250 L380<br>BRANDERBUIS D263/240/290/250 L380           | TUBE DE FLAMME D263/240/290/250 L380<br>TUBO DE LLAMA D263/240/290/250 L380          | BOCCAGLIO D263/240/290/250 L380          | 1 |
|      | 65311849 | BRENNERROHR D263/240/290/250 L500<br>BRANDERBUIS D263/240/290/250 L500           | TUBE DE FLAMME D263/240/290/250 L500<br>TUBO DE LLAMA D263/240/290/250 L500          | BOCCAGLIO D263/240/290/250 L500          | 1 |
|      | 65311850 | BRENNERROHR D263/240/290/250 L620<br>BRANDERBUIS D263/240/290/250 L620           | TUBE DE FLAMME D263/240/290/250 L620<br>TUBO DE LLAMA D263/240/290/250 L620          | BOCCAGLIO D263/240/290/250 L620          | 1 |
|      | 65311851 | BRENNERROHR D263/310/265 L380<br>BRANDERBUIS D263/310/265 L380                   | TUBE DE FLAMME D263/310/265 L380<br>TUBO DE LLAMA D263/310/265 L380                  | BOCCAGLIO D263/310/265 L380              | 1 |
|      | 65311852 | BRENNERROHR D263/310/265 L500<br>BRANDERBUIS D263/310/265 L500                   | TUBE DE FLAMME D263/310/265 L500<br>TUBO DE LLAMA D263/310/265 L500                  | BOCCAGLIO D263/310/265 L500              | 1 |
|      | 65311853 | BRENNERROHR D263/310/265 L620<br>BRANDERBUIS D263/310/265 L620                   | TUBE DE FLAMME D263/310/265 L620<br>TUBO DE LLAMA D263/310/265 L620                  | BOCCAGLIO D263/310/265 L620              | 1 |
|      | 65311854 | BRENNERROHR D325/275/340/280 L425<br>BRANDERBUIS D325/275/340/280 L425           | TUBE DE FLAMME D325/275/340/280 L425<br>TUBO DE LLAMA D325/275/340/280 L425          | BOCCAGLIO D325/275/340/280 L425          | 1 |
|      | 65311855 | BRENNERROHR D325/275/340/280 L555<br>BRANDERBUIS D325/275/340/280 L555           | TUBE DE FLAMME D325/275/340/280 L555<br>TUBO DE LLAMA D325/275/340/280 L555          | BOCCAGLIO D325/275/340/280 L555          | 1 |
|      | 65311856 | BRENNERROHR D325/275/340/280 L685<br>BRANDERBUIS D325/275/340/280 L685           | TUBE DE FLAMME D325/275/340/280 L685<br>TUBO DE LLAMA D325/275/340/280 L685          | BOCCAGLIO D325/275/340/280 L685          | 1 |
|      | 65311857 | BRENNERROHR D325/370/310 L425<br>BRANDERBUIS D325/370/310 L425                   | TUBE DE FLAMME D325/370/310 L425<br>TUBO DE LLAMA D325/370/310 L425                  | BOCCAGLIO D325/370/310 L425              | 1 |
|      | 65311858 | BRENNERROHR D325/370/310 L555<br>BRANDERBUIS D325/370/310 L555                   | TUBE DE FLAMME D325/370/310 L555<br>TUBO DE LLAMA D325/370/310 L555                  | BOCCAGLIO D325/370/310 L555              | 1 |
|      | 65311859 | BRENNERROHR D325/370/310 L685<br>BRANDERBUIS D325/370/310 L685                   | TUBE DE FLAMME D325/370/310 L685<br>TUBO DE LLAMA D325/370/310 L685                  | BOCCAGLIO D325/370/310 L685              | 1 |
| 2070 | 65313731 | KABEL FZLSI 1X1,00Q-CU/SILIKON<br>ONTSTEKINGSKAB.FZLSI 1X1,00Q-CU/SILICONE       | CABLE ALLUMAGE FZLSI 1X1,00Q-CU/SILICONE<br>CABLE ENCENDI. FZLSI 1X1,00Q-CU/SILICONE | CAVO ACCENSIO. FZLSI 1X1,00Q-CU/SILICONE | 1 |
| 2071 | 65311374 | RUNDSTECKER D6.4/ZUENDKABEL<br>RONDJE CONNECTOR D6.4/ONTSTEKINGSKABEL            | CONNECTEUR ROND D.6.4/CABLE ALLUMAGE<br>CONECTOR REDONDO D6.4/CABLE ENCENDIDO        | CONNETTORE ROTONDO D6.4/CAVO ACCENSIONE  | 1 |
| 2072 | 13013226 | ENTSTOERMUFFE<br>ONTSTORINGSMANTEL   | RESISTANCE ANTI-PARASITE<br>MANGUITO ANTIPARASITARIO                                 | SOPPRESSORE A MANICOTTO                  | 1 |
| 2110 | 65311860 | STAUSCHEIBE D238/45X36,5 8SL 6DRIL.<br>STUWPLAAT D238/45X36,5 8SL 6DRIL.         | DEFLECTEUR D238/45X36,5 8SL 6DRIL.<br>DEFLECTOR D238/45X36,5 8SL 6DRIL.              | DIFFUSORE D238/45X36,5 8SL 6DRIL.        | 1 |
|      | 65311861 | STAUSCHEIBE D280/62 12SL 6DRIL.<br>STUWPLAAT D280/62 12SL 6DRIL.                 | DEFLECTEUR D280/62 12SL 6DRIL.<br>DEFLECTOR D280/62 12SL 6DRIL.                      | DIFFUSORE D280/62 12SL 6DRIL.            | 1 |
| 2130 | 65311862 | GASDUESE D25/D16<br>GAS NOZZLE D25/D16   | DIFFUSEUR GAZ D25/D16<br>DIFUSOR GAS D25/D16   | INIETTORE GAS D25/D16                    | 1 |
|      | 65311863 | GASDUESE D25/D18<br>GAS NOZZLE D25/D18   | DIFFUSEUR GAZ D25/D18<br>DIFUSOR GAS D25/D18   | INIETTORE GAS D25/D18                    | 1 |
| 2190 | 65310989 | ZUENDELEKTRODE GEB. N6 GL-E OEL<br>ONTSTEKINGSPEN D9X50 D3X65 105° L150 d4       | ELECT.ALLUM. D9X50 D3X65 105° L 150 d4<br>ELECTRODO ENC. D9X50 D3X65 105°L150 d4     | ELETTRODO ACC.D9X50 D3X65 105° L 150 d4  | 1 |
| 2200 | 65310990 | ZUENDELEKTRODE D9X50 D3X71 20° L150 D4<br>ONTSTEKINGSPEN D9X50 D3X71 20° L150 D4 | ELECTRODE ALL.D9X50 D3X71 20° L150 D4<br>ELECTROD.ENCEN.D9X50 D3X71 20° L150 D4      | ELETTROD.ACCEN.D9X50 D3X71 20° L150 D4   | 1 |
| 2220 | 65311555 | HALTER FÜR ZÜNDELEKTRODEN (OEL)<br>STEUN ONTSTEKINGSPEN (OLIE)                   | SUPPORT ELECTRODE ALLUMAGE (FIOUL)<br>SOPORTE ELECTRODO ENCENDIDO (GASOLEO)          | SUPPORTO ELETTRODO ACCENSIONE (GASOLIO)  | 1 |
| 2235 | 65311393 | DUESE FLU 180KG 50° W2<br>SPROEIER FLU 180KG 50° W2                              | GICLEUR FLU 180KG 50° W2<br>BOQUILLA FLU 180KG 50° W2                                | UGELLO FLU 180KG 50° W2                  | 1 |
|      | 65312605 | DUESE FLU 250KG 50° W2<br>SPROEIER FLU 250KG 50° W2                              | GICLEUR FLU 250KG 50° W2<br>BOQUILLA FLU 250KG 50° W2                                | UGELLO FLU 250KG 50° W2                  | 1 |
|      | 65323551 | DUESE FLU 400KG 50° W2<br>SPROEIER FLU 400KG 50° W2                              | GICLEUR FLU 400KG 50° W2<br>BOQUILLA FLU 400KG 50° W2                                | UGELLO FLU 400KG 50° W2                  | 1 |
|      | 65323552 | DUESE FLU 450KG 50° W2<br>SPROEIER FLU 450KG 50° W2                              | GICLEUR FLU 450KG 50° W2<br>BOQUILLA FLU 450KG 50° W2                                | UGELLO FLU 450KG 50° W2                  | 1 |
| 2260 | 65311491 | O-RING 6387D97,79X5,33 NBR<br>O-RING 6387D97,79X5,33 NBR                         | O-RING 6387D97,79X5,33 NBR<br>O-RING 6387D97,79X5,33 NBR                             | O-RING 6387D97,79X5,33 NBR               | 1 |
| 2360 | 65311864 | FUEHRUNG D-STANGE<br>SPROEIERLJUNE GELEIDEN                                      | GUIDE LIGNE GICLEUR<br>GUIA LÍNEA DE BOQUILLA  | GUIDA LINEA UGELLO                       | 1 |
| 2370 | 65321060 | DICHTUNG/GASROHR D74/45X3<br>PAKKING/GASBUIS D74/45X3                            | JOINT/TUBE GAZ D74/45X3<br>JUNTA/TUBERIA GAS D74/45X3                                | GUARNIZIONE/TUBO GAS D74/45X3            | 1 |

|      |            | DE   | FR   | IT                                       | X |
|------|------------|--|--|--|---|
|      |            | NL   | ES   |  |   |
| 2380 | 65311815   | D-STANGE 1D 7/8Z L900<br>SPROEIERLIJNE 1D 7/8Z L900                                  | LIGNE GICLEUR 1D 7/8Z L900<br>LÍNEA DE BOQUILLA 1D 7/8Z L900                         | LINEA UGELLO 1D 7/8Z L900                | 1 |
|      | 65311866   | D-STANGE 1D 7/8Z L664<br>SPROEIERLIJNE 1D 7/8Z L664                                  | LIGNE GICLEUR 1D 7/8Z L664<br>LÍNEA DE BOQUILLA 1D 7/8Z L664                         | LINEA UGELLO 1D 7/8Z L664                | 1 |
|      | 65311867   | D-STANGE 1D 7/8Z L580<br>SPROEIERLIJNE 1D 7/8Z L580                                  | LIGNE GICLEUR 1D 7/8Z L580<br>LÍNEA DE BOQUILLA 1D 7/8Z L580                         | LINEA UGELLO 1D 7/8Z L580                | 1 |
|      | 65311868   | D-STANGE 1D 7/8Z L748<br>SPROEIERLIJNE 1D 7/8Z L748                                  | LIGNE GICLEUR 1D 7/8Z L748<br>LÍNEA DE BOQUILLA 1D 7/8Z L748                         | LINEA UGELLO 1D 7/8Z L748                | 1 |
|      | 65311871   | D-STANGE 1D 7/8Z L832<br>SPROEIERLIJNE 1D 7/8Z L832                                  | LIGNE GICLEUR 1D 7/8Z L832<br>LÍNEA DE BOQUILLA 1D 7/8Z L832                         | LINEA UGELLO 1D 7/8Z L832                | 1 |
| 2490 | 65311873   | OELSCHLAUCH EDELST.F.EL,S 30BAR L400<br>OLIESLANG ROESTVRIJ .F.EL,S 30BAR L400       | FLEXIBLE INOX. FUEL EL,S 30BAR L400<br>LATIGUILLO INOXID. F.EL,S 30BAR L400          | FLESSIBILE INOSSID. F.EL,S 30BAR L400    | 1 |
| 2510 | 65311564   | MOTOR 0,75KW 230/400V IE3 - KPL.<br>MOTOR 0,75KW 230/400V IE3 GMP                    | MOTEUR 0,75KW 230/400V IE3 GMP<br>MOTOR 0,75KW 230/400V IE3 GMP                      | MOTORE 0,75KW 230/400V IE3 GMP           | 1 |
|      | 65311829   | MOTOR 1,1KW 230/400V IE3 GMP<br>MOTOR 1,1KW230/400V IE3 GMP                          | MOTEUR 1,1KW230/400V IE3 GMP<br>MOTOR 1,1KW230/400V IE3 GMP                          | MOTORE 1,1KW230/400V IE3 GMP             | 1 |
|      | 65325517   | MOTOR 1,5KW230/400V IE3 GMP IP55<br>MOTOR 1,5KW230/400V IE3 GMP IP55                 | MOTEUR 1,5KW230/400V IE3 GMP IP55<br>MOTOR 1,5KW230/400V IE3 GMP IP55                | MOTORE 1,5KW230/400V IE3 GMP IP55        | 1 |
| 2520 | 65312206   | DRUCKWAECHTER DSB158 F931, 3-25BAR, IP65<br>OLIEDRUKSCHAKELAAR DSB 158 F931 3-25BAR  | MANOSTAT FIOUL DSB 158 F931 3-25BAR<br>PRESOSTATO GASOLEO DSB 158 F931 3-25BAR       | PRESSOSTATO GASOLIO DSB 158 F931 3-25BAR | 1 |
| 2530 | 13022666   | MAGNETVENTIL LUC 321F2523 P8 PG11 19W<br>MAGNEETKLEP LUC 321F2523 P8 PG11 19W        | ELECTROVANNE LUC 321F2523 P8 PG11 19W<br>ELECTROVALVULA LUC 321F2523 P8 PG11 19W     | ELETTROVALVOLA LUC 321F2523 P8 PG11 19W  | 1 |
|      | 13022667   | MAGNETVENTIL LUC 121F2523 P8 PG11 19W<br>MAGNEETKLEP LUC 121F2523 P8 PG11 19W        | ELECTROVANNE LUC 121F2523 P8 PG11 19W<br>ELECTROVALVULA LUC 121F2523 P8 PG11 19W     | ELETTROVALVOLA LUC 121F2523 P8 PG11 19W  | 1 |
| 2540 | 65311572   | MANOMETER M.GLYZERINF.D 63 0-40 BAR G1/4<br>MANOMETER GLYCEROL D 63 0-40 BAR G1/4    | MANOMETRE GLYCERINE D 63 0-40 BAR G1/4<br>MANOMETRO GLICERINA D 63 0-40 BAR G1/4     | MANOMETRO GLICERINE D 63 0-40 BAR G1/4   | 1 |
| 2550 | 65311831   | DISTANZBOLZEN M6/M8X42 SW15<br>AFSTANDHOUDER M6 /M8 X 42 SW15                        | ENTRETOISE M6/M8X42 SW15<br>DISTANCIADOR M6/M8X42 SW15                               | DISTANZIATORE M6/M8X42 SW15              | 1 |
| 2560 | 65311832   | STELLANTRIEB HALTER<br>STEUN REGELMOTOR  | SUPPORT SERVOMOTEUR<br>SOPORTE SERVOMOTOR  | SUPPORTO SERVOMOTORE                     | 1 |
| 2580 | 65311616   | DICHTUNG GDM 3-21<br>PAKKING GDM 3-21  | JOINT GDM 3-21<br>JUNTA GDM 3-21   | GUARNIZIONE GDM 3-21                     | 1 |
| 2590 | 65311615   | GERAETESTECKDOSE GDMW 30-11 DF<br>STEKKER GDMW 30-11 DF                              | PRISE GDMW 30-11 DF<br>TOMA GDMW 30-11 DF  | PRESA GDMW 30-11 DF                      | 1 |
| 2600 | 65311650   | STELLANTRIEB STE 4,5 Q3.51/6+CABEL L3000<br>SERVOMOTOR STE 4,5 Q3.51/6+CABLE L3000   | SERVOMOTEUR STE 4,5 Q3.51/6+CABLE L3000<br>SERVOMOTOR STE 4,5 Q3.51/6+CABLE L3000    | SERVOMOTORE STE 4,5 Q3.51/6+CAVO L3000   | 1 |
|      | 65311833   | STELLANTRIEB STM 40 Q15.51/8 2NR<br>REGELMOTOR STM 40 Q15.51/8 2NR                   | SERVOMOTEUR STM 40 Q15.51/8 2NR<br>SERVOMOTOR STM 40 Q15.51/8 2NR                    | SERVOMOTORE STM 40 Q15.51/8 2NR          | 1 |
| 2610 | 65311578   | SCHMUTZFÄNGER R3/4Z OVENTROP<br>FILTER R3/4 INCH OVENTROP                            | FILTRE R3/4 POUCE OVENTROP<br>FILTRO R3/4 PULGADA OVENTROP                           | FILTRO R3/4 POLLICE OVENTROP             | 1 |
| 2700 | 65311577   | OELPUMPE HP UHE-A3-P-I-4-20<br>POMP HP UHE-A3-P-I-4-20                               | POMPE FIOUL HP UHE-A3-P-I-4-20<br>BOMBA HP UHE-A3-P-I-4-20                           | POMPA HP UHE-A3-P-I-4-20                 | 1 |
| 2750 | 13019342   | OELSCHLAUCH M30X1,5 DN20 L=1500<br>OLIESLANG M30X1,5 DN20 L=1500                     | FLEXIBLE M30X1,5 DN20 L=1500<br>LATIGUILLO M30X1,5 DN20 L=1500                       | FLESSIBILE M30X1,5 DN20 L=1500           | 1 |
| 3005 | 65321049   | DICHTUNG/GASSTRECKE D125/90X3<br>PAKKING/GASTRAIN D125/90X3                          | JOINT/RAMPE GAZ D125/90X3<br>JUNTA/GASTRAIN D125/90X3                                | GUARNIZIONE/RAMPA GAS D125/90X3          | 1 |
| 3010 | 65311488   | GASANSCHLUSSST. DN65-R2Z 2G1/4 PN16<br>GASAANSLUITBUIS DN65-R2Z 2G1/4 PN16           | COLLECTEUR DN65-R2Z 2G1/4 PN16<br>COLECTOR DN65-R2Z 2G1/4 PN16                       | COLLETORE DN65-R2Z 2G1/4 PN16            | 1 |
|      | 65311503   | GASANSCHLUSSST. DN65-R1 1/2Z 2G1/4 PN16<br>GASAANSLUITBUIS DN65-R1 1/2Z 2G1/4 PN16   | COLLECTEUR DN65-R1 1/2Z 2G1/4 PN16<br>COLECTOR DN65-R1 1/2Z 2G1/4 PN16               | COLLETORE DN65-R1 1/2Z 2G1/4 PN16        | 1 |
| 3020 | 65311606   | GERADE-EINSCHRAUBVERSCHR.P-GEV 8LR-WD-VI<br>RECHTE AANSLUITING P-GEV 8LR-WD-VI       | RACCORD DROIT P-GEV 8LR-WD-VI<br>RACOR RECTO P-GEV 8LR-WD-VI                         | RACCORDO DESTRO P-GEV 8LR-WD-VI          | 1 |
| 3030 | 65311604   | EINSTELLB.W-VERSCHRAUBUNG P-EWV 8-L<br>GEBOGEN AANSLUITING P-EWV 8-L                 | RACCORD COUDE P-EWV 8-L<br>RACOR ACODADO P-EWV 8-L                                   | RACCORDO A GOMITO P-EWV 8-L              | 1 |
| 3040 | 65311579   | MESSNIPPEL R1/4Z M.DICHTUNG<br>MEETNIPPEL R1/4Z+AFDICHTING                           | PRISE DE PRESSION R1/4Z+JOINT<br>TOMA DE PRESIÓN R1/4Z+JUNTA                         | PRESA DI PRESSIONE R1/4Z+GUARNIZIONE     | 1 |
| 3060 | 65311580   | GAS-MV VGD 20.4011 R1 1/2Z X 265 MM<br>GASKLEP VGD20 4011 RP1"1/2                    | VANNE GAZ VGD20 4011 RP1"1/2<br>VALVULA GAS VGD20 4011 RP1"1/2                       | VALVOLA GAS VGD20 4011 RP1"1/2           | 1 |
|      | 65311581   | GAS-MV VGD 20.5011 R2Z X 265 MM<br>GASKLEP VGD20 5011 RP2"                           | VANNE GAZ VGD20 5011 RP2"<br>VALVULA GAS VGD20 5011 RP2"                             | VALVOLA GAS VGD20 5011 RP2"              | 1 |
| 3070 | 65107100   | STELLANTRIEB SKP25.003E2 O. ENDSCHALTER<br>REGELMOT. GAS SKP25.003E2 Z.EINDSCHALTE   | SERVOMOT. GAZ SKP25.003E2 S.FIN COURSE<br>SERVOMOTOR SKP25.003 E2 SIN FIN CARRERA    | SERVOMOT. GAS SKP25.003E2 S.FINE CORSA   | 1 |
| 3080 | 65311585   | KABEL ANSCHLUSS AGA 62 STCK DIN L270<br>KABEL CONNECT AGA 62 STCK DIN L270           | CABLE CONNECT AGA 62 PRISE DIN L270<br>CABLE DE CONEXION AGA 62 TOMA DIN L270        | CAVO COLLEGA AGA 62 PRESA DIN L270       | 1 |
| 3090 | 1478836180 | STELLANTRIEB SKP 15.000E2 O. ENDSCHALTER<br>REGELMOTOR GAS SKP15.000E2 Z.EINDSCHALTE | SERVOMOT.GAZ SKP15.000E2 SANS FIN COURSE<br>SERVOMO. GAS SKP15.000E2 SIN FIN CARRERA | SERVOMOT.GAS SKP15.000E2 SENZ.FINE CORSA | 1 |
| 3110 | 65311377   | FLANSCH AGF10.50 RP2<br>FLENS AGF10.50 RP2   | BRIDE AGF10.50 RP2<br>BRIDA AGF10.50 RP2   | FLANGIA AGF10.50 RP2                     | 1 |
|      | 65313107   | FLANSCH AGF10 RP1 1/2<br>MONTAGEFLENS AGF 10 40 RP1 1/2"                             | BRIDE AGF10 RP1 1/2<br>BRIDA AGF10 RP1 1/2   | FLANGIA AGF10 RP1 1/2                    | 1 |
| 3120 | 13010091   | GASDRUCKWACHTER GW 500 A5 100-500MB<br>GASDRUKSCHAKELAAR GW 500 A5 30-500MB          | MANOSTAT GAZ GW 500 A5 100-500MB<br>PRESOSTATO GAS GW 500 A5 30-500MB                | PRESSOSTATO GAS GW 500 A5 100-500MB      | 1 |

|      |  |   |  |  |  |
|------|---|--|---|---|---|
|      | DE<br>NL  | FR<br>ES   | IT  |   |   |
|      | 65311597  | DRUCKWAECHTER GW 150 A6 M. STECKERANSCHL. GASDRUKSCHAKELAAR GW 150 A6 10-150MB DIN | MANOSTAT GAZ GW 150 A6 10-150MB DIN PRESOSTATO GAS GW 150 A6 10-150MB DIN         | PRESSOSTATO GAS GW 150 A6 10-150MB DIN  | 1   |
| 3130 | 65311586  | LEITUNGSDOSE VENTILANTRIEB AGA64 STEKKER VROUWELIJK AGA64                          | PRISE FEMELLE AGA64 TOMA HEMBRA AGA64   | PRESA FEMMINA AGA64   | 1   |
| 3140 | 65311615  | GERAETESTECKDOSE GDMW 30-11 DF STEKKER GDMW 30-11 DF                               | PRISE GDMW 30-11 DF TOMA GDMW 30-11 DF  | PRESA GDMW 30-11 DF   | 1   |
| 3300 | 65311458  | GASFILTER GF80M-1212-A-1 RP1 1/2 1BAR GASFILTER GF80M-1212-A-1 RP1 1/2 1BAR        | FILTRE GAZ GF80M-1212-A-1 RP1 1/2 1BAR FILTRO GAS GF80M-1212-A-1 RP1 1/2 1BAR     | FILTRO GAS GF80M-1212-A-1 RP1 1/2 1BAR  | 1   |
|      | 65311459  | GASFILTER GF80M-1616-A-1 RP2 1BAR GASFILTER GF80M-1616-A-1 RP2 1BAR                | FILTRE GAZ GF80M-1616-A-1 RP2 1BAR FILTRO GAS GF80M-1616-A-1 RP2 1BAR             | FILTRO GAS GF80M-1616-A-1 RP2 1BAR  | 1   |
|      | 65311460  | GASFILTER GF65MF-2020-A-1 DN65 1BAR GASFILTER GF65MF-2020-A-1 DN65 1BAR            | FILTRE GAZ GF65MF-2020-A-1 DN65 1BAR FILTRO GAS GF65MF-2020-A-1 DN65 1BAR         | FILTRO GAS GF65MF-2020-A-1 DN65 1BAR  | 1   |
|      | 65311461  | GASFILTER GF80MF-2424-A-1 DN80 1BAR GASFILTER GF80MF-2424-A-1 DN80 1BAR            | FILTRE GAZ GF80MF-2424-A-1 DN80 1BAR FILTRO GAS GF80MF-2424-A-1 DN80 1BAR         | FILTRO GAS GF80MF-2424-A-1 DN80 1BAR  | 1   |
| 3301 | 65311361  | ERSATZTEILSET F.GASFILTER GF 80M FILTERELEMENT GF 80M                              | ELEMENT FILTRANT GF 80M ELEMENTO FILTRANTE GF 80M                                 | ELEMENTO FILTRANTE GF 80M   | 1   |
|      | 65311723  | ERSATZTEILSET F.GASFILTER GF 65MF FILTERELEMENT GF65MF                             | ELEMENT FILTRANT GF65MF ELEMENTO FILTRANTE GF65MF                                 | ELEMENTO FILTRANTE GF65MF   | 1   |
|      | 65311888  | ERSATZTEILSET F.GASFILTER GF 80MF FILTERELEMENT GF80MF                             | ELEMENT FILTRANT GF80MF ELEMENTO FILTRANTE GF80MF                                 | ELEMENTO FILTRANTE GF80MF   | 1   |
| 3505 | 65321049  | DICHTUNG/GASSTRECKE D125/90X3 PAKKING/GASTRAIN D125/90X3                           | JOINT/RAMPE GAZ D125/90X3 JUNTA/GASTRAIN D125/90X3                                | GUARNIZIONE/RAMPA GAS D125/90X3   | 1   |
| 3510 | 65311836  | GASANSCHLUSSSTUECK DN65 RP1 1/2Z PN16 GASAANSLUITBUIJ DN65-R1 1/2Z PN16            | COLLECTEUR DN65-R1 1/2Z PN16 COLECTOR DN65-R1 1/2Z PN16                           | COLLETTORE DN65-R1 1/2Z PN16  | 1   |
|      | 65311837  | GASANSCHLUSSSTUECK DN65 RP2Z PN16 GASAANSLUITBUIJ DN65-R2Z PN16                    | COLLECTEUR DN65-R2Z PN16 COLECTOR DN65-R2Z PN16                                   | COLLETTORE DN65-R2Z PN16  | 1   |
| 3580 | 65311839  | GAS-DOPPEL-MV MBC-700-SE S82 5-80 MBAR GASKLEP MBC700 SE S82 RP1"1/4 5-80 MBAR     | VANNE GAZ MBC700 SE S82 RP1"1/4 5-80MBA VALVULA GAS MBC700SES82 RP1"1/4 5-80MBA   | VALVOLA GAS MBC700SES82 RP1"1/4 5-80MBA   | 1   |
|      | 65311840  | GASVENTIL MBC-1200-SE S82 RP2Z 5-80MBAR GASKLEP MBC1200 SE S82 RP2" 5-80 MBAR      | VANNE GAZ MBC1200 SE S82 RP2" 5-80 MBAR VALVULA GAS MBC1200 SE S82 RP2" 5-80MBA   | VALVOLA GAS MBC1200 SE S82 RP2" 5-80MBA   | 1   |
| 3620 | 65313021  | FLANSCH ZU DMV-D R1 1/2Z O.MESSNIPPEL FLENS MBC700/1200 RP1 1/2                    | BRIDE MBC700/1200 RP1 1/2 BRIDA MBC700/1200 RP1 1/2                               | FLANGIA MBC700/1200 RP1 1/2   | 1   |
|      | 65313022  | FLANSCH ZU DMV-D R 2Z O.MESSNIPPEL MONTAGE FLENS MBC-7/1200 DMV512/520 2"          | BRIDE MBC700/1200 RP2 BRIDA MBC700/1200 RP2                                       | FLANGIA MBC700/1200 RP2   | 1   |
| 3640 | 13010091  | GASDRUCKWACHTER GW 500 A5 100-500MB GASDRUKSCHAKELAAR GW 500 A5 30-500MB           | MANOSTAT GAZ GW 500 A5 100-500MB PRESOSTATO GAS GW 500 A5 30-500MB                | PRESSOSTATO GAS GW 500 A5 100-500MB   | 1   |
|      | 65311598  | DRUCKWAECHTER GW 150 A5 M. STECKERANSCHL. GASDRUKSCHAKELAAR GW 150 A5 30-150MB     | MANOSTAT GAZ GW 150 A5 30-150MB PRESOSTATO GAS GW 150 A5 30-150MB                 | PRESSOSTATO GAS GW 150 A5 30-150MB  | 1   |
| 3650 | 65311615  | GERAETESTECKDOSE GDMW 30-11 DF STEKKER GDMW 30-11 DF                               | PRISE GDMW 30-11 DF TOMA GDMW 30-11 DF  | PRESA GDMW 30-11 DF   | 1   |
| 3700 | 13022416  | FILTREINSATZ F.GASVENT.MBC-700 ZEEFFILTER/GASKLEP MBC700                           | FILTRE TAMIS/VANNE GAZ MBC700 FILTRO DE TAMIZ/VALVULA DE GAS MBC700               | SET FILTRI/VALVOLA GAS MBC700   | 1   |
|      | 13022417  | FILTREINSATZ F.GASVENT.MBC-1200 ZEEFFILTER/GASKLEP MBC1200                         | FILTRE TAMIS/VANNE GAZ MBC1200 FILTRO DE TAMIZ/VALVULA DE GAS MBC1200             | SET FILTRI/VALVOLA GAS MBC1200  | 1   |
| 3800 | 65311458  | GASFILTER GF80M-1212-A-1 RP1 1/2 1BAR GASFILTER GF80M-1212-A-1 RP1 1/2 1BAR        | FILTRE GAZ GF80M-1212-A-1 RP1 1/2 1BAR FILTRO GAS GF80M-1212-A-1 RP1 1/2 1BAR     | FILTRO GAS GF80M-1212-A-1 RP1 1/2 1BAR  | 1   |
|      | 65311459  | GASFILTER GF80M-1616-A-1 RP2 1BAR GASFILTER GF80M-1616-A-1 RP2 1BAR                | FILTRE GAZ GF80M-1616-A-1 RP2 1BAR FILTRO GAS GF80M-1616-A-1 RP2 1BAR             | FILTRO GAS GF80M-1616-A-1 RP2 1BAR  | 1   |
|      | 65311460  | GASFILTER GF65MF-2020-A-1 DN65 1BAR GASFILTER GF65MF-2020-A-1 DN65 1BAR            | FILTRE GAZ GF65MF-2020-A-1 DN65 1BAR FILTRO GAS GF65MF-2020-A-1 DN65 1BAR         | FILTRO GAS GF65MF-2020-A-1 DN65 1BAR  | 1   |
|      | 65311461  | GASFILTER GF80MF-2424-A-1 DN80 1BAR GASFILTER GF80MF-2424-A-1 DN80 1BAR            | FILTRE GAZ GF80MF-2424-A-1 DN80 1BAR FILTRO GAS GF80MF-2424-A-1 DN80 1BAR         | FILTRO GAS GF80MF-2424-A-1 DN80 1BAR  | 1   |
| 3801 | 65311361  | ERSATZTEILSET F.GASFILTER GF 80M FILTERELEMENT GF 80M                              | ELEMENT FILTRANT GF 80M ELEMENTO FILTRANTE GF 80M                                 | ELEMENTO FILTRANTE GF 80M   | 1   |
|      | 65311723  | ERSATZTEILSET F.GASFILTER GF 65MF FILTERELEMENT GF65MF                             | ELEMENT FILTRANT GF65MF ELEMENTO FILTRANTE GF65MF                                 | ELEMENTO FILTRANTE GF65MF   | 1   |
|      | 65311888  | ERSATZTEILSET F.GASFILTER GF 80MF FILTERELEMENT GF80MF                             | ELEMENT FILTRANT GF80MF ELEMENTO FILTRANTE GF80MF                                 | ELEMENTO FILTRANTE GF80MF   | 1   |
| 4005 | 65321049  | DICHTUNG/GASSTRECKE D125/90X3 PAKKING/GASTRAIN D125/90X3                           | JOINT/RAMPE GAZ D125/90X3 JUNTA/GASTRAIN D125/90X3                                | GUARNIZIONE/RAMPA GAS D125/90X3   | 1   |
| 4010 | 65311494  | GASANSCHLUSSST. DN65-DN80 PN16 GASAANSLUITBUIJ DN65-DN80 PN16                      | COLLECTEUR DN65-DN80 PN16 COLECTOR DN65-DN80 PN16                                 | COLLETTORE DN65-DN80 PN16   | 1   |
|      | 65311506  | GASANSCHLUSSST. DN65-DN65 PN16 GASAANSLUITBUIJ DN65-DN65 PN16                      | COLLECTEUR DN65-DN65 PN16 COLECTOR DN65-DN65 PN16                                 | COLLETTORE DN65-DN65 PN16   | 1   |
|      | 65311508  | GASANSCHLUSSST. DN65-DN100 PN16 GASAANSLUITBUIJ DN65-DN100 PN16                    | COLLECTEUR DN65-DN100 PN16 COLECTOR DN65-DN100 PN16                               | COLLETTORE DN65-DN100 PN16  | 1   |
|      | 65311509  | GASANSCHLUSSST. DN65-DN125 PN16 GASAANSLUITBUIJ DN65-DN125 PN16                    | COLLECTEUR DN65-DN125 PN16 COLECTOR DN65-DN125 PN16                               | COLLETTORE DN65-DN125 PN16  | 1   |
| 4020 | 65311601  | GERADE-EINSCHRAUBSTUT.P-EGES 12L/R 1/4WD RECHTE AANSLUITING P-EGES 12L/R 1/4WD     | RACCORD DROIT P-EGES 12L/R 1/4WD RACOR RECTO P-EGES 12L/R 1/4WD                   | RACCORDO DESTRO P-EGES 12L/R 1/4WD  | 1   |
| 4030 | 65311605  | KREUZVERSCHR.P-KV12L AANSLUITING P-KV12L   | RACCORD P-KV12L RACOR P-KV12L   | RACCORDO P-KV12L  | 1   |

| ☞    | XXXXXXXX   | DE   | FR   | IT                                       | X |
|------|------------|--|--|--|---|
|      |            | NL   | ES   |  |   |
| 4040 | 65311603   | EINSTELLBARE W-VERSCHR.P-EWS 12 L-SS<br>GEBOGEN AANSLUITING P-EWS 12 L-SS            | RACCORD COUDE P-EWS 12 L-SS<br>RACOR ACODADO P-EWS 12 L-SS                           | RACCORDO A GOMITO P-EWS 12 L-SS          | 1 |
| 4060 | 65311607   | STOPFEN D15/10X21 VSD 12L/S O.M.MB<br>STOP D15/10X21 VSD 12L/S O.M.MB                | BOUCHON D15/10X21 VSD 12L/S O.M.MB<br>TAPÓN D15/10X21 VSD 12L/S O.M.MB               | TAPPO D15/10X21 VSD 12L/S O.M.MB         | 1 |
| 4080 | 65311453   | GAS-MV VGD 40.125 DN125 PN16 X 400 MM<br>GASKLEP VGD40 125 DN125                     | VANNE GAZ VGD40 125 DN125<br>VALVULA GAS VGD40 125 DN125                             | VALVOLA GAS VGD40 125 DN125              | 1 |
|      | 65311583   | GAS-MV VGD 40.080 DN80 X 310MM<br>GASKLEP VGD40 080 DN80                             | VANNE GAZ VGD40 080 DN80<br>VALVULA GAS VGD40 080 DN80                               | VALVOLA GAS VGD40 080 DN80               | 1 |
|      | 65311590   | GAS-MV VGD 40.100 DN100 X 350 MM<br>GDV VGD40 100, DN100X350MM                       | VANNE GAZ VGD40 100 DN100<br>VALVULA GAS VGD40 100 DN100                             | VALVOLA GAS VGD40 100 DN100              | 1 |
|      | 65323661   | GAS-MV VGD 40.065<br>GDV VGD 40 065 MAX  | VANNE GAZ VGD40 065 DN65<br>VÁLVULA GAS VGD40 065 DN65                               | VALVOLA GAS VGD40 065 DN65               | 1 |
| 4090 | 65107100   | STELLANTRIEB SKP25.003E2 O. ENDSCHALTER<br>REGELMOT. GAS SKP25.003E2 Z.EINDSCHALTE   | SERVOMOT. GAZ SKP25.003E2 S.FIN COURSE<br>SERVOMOTOR SKP25.003 E2 SIN FIN CARRERA    | SERVOMOT. GAS SKP25.003E2 S.FINE CORSA   | 1 |
| 4100 | 65311585   | KABEL ANSCHLUSS AGA 62 STCK DIN L270<br>KABEL CONNECT AGA 62 STCK DIN L270           | CABLE CONNECT AGA 62 PRISE DIN L270<br>CABLE DE CONEXION AGA 62 TOMA DIN L270        | CAVO COLLEGA AGA 62 PRESA DIN L270       | 1 |
| 4110 | 1478836180 | STELLANTRIEB SKP 15.000E2 O. ENDSCHALTER<br>REGELMOTOR GAS SKP15.000E2 Z.EINDSCHALTE | SERVOMOT.GAZ SKP15.000E2 SANS FIN COURSE<br>SERVOMO. GAS SKP15.000E2 SIN FIN CARRERA | SERVOMOT.GAS SKP15.000E2 SENZ.FINE CORSA | 1 |
| 4120 | 65311342   | DICHTUNG/GASSTRECKE D218/169X2 DN150<br>PAKKING/GASSTRAAT D218/169X2 DN150           | JOINT/RAMPE GAZ D218/169X2 DN150<br>JUNTA/RAMPA DE GAS D218/169X2 DN150              | GUARNIZIONE/RAMPA GAS D218/169X2 DN150   | 1 |
|      | 65311611   | DICHTUNG/GASSTRECKE D127/77X2 DN65<br>PAKKING/GASSTRAAT D127/77X2 DN65               | JOINT/RAMPE GAZ D127/77X2 DN65<br>JUNTA/RAMPA DE GAS D127/77X2 DN65                  | GUARNIZIONE/RAMPA GAS D127/77X2 DN65     | 1 |
|      | 65311612   | DICHTUNG/GASSTRECKE D142/90X2 DN80<br>PAKKING/GASSTRAAT D142/90X2 DN80               | JOINT/RAMPE GAZ D142/90X2 DN80<br>JUNTA/RAMPA DE GAS D142/90X2 DN80                  | GUARNIZIONE/RAMPA GAS D142/90X2 DN80     | 1 |
|      | 65311613   | DICHTUNG/GASSTRECKE D162/115X2 DN100<br>PAKKING/GASSTRAAT D162/115X2 DN100           | JOINT/RAMPE GAZ D162/115X2 DN100<br>JUNTA/RAMPA DE GAS D162/115X2 DN100              | GUARNIZIONE/RAMPA GAS D162/115X2 DN100   | 1 |
|      | 65311614   | DICHTUNG/GASSTRECKE D192/141X2 DN125<br>PAKKING/GASSTRAAT D192/141X2 DN125           | JOINT/RAMPE GAZ D192/141X2 DN125<br>JUNTA/RAMPA DE GAS D192/141X2 DN125              | GUARNIZIONE/RAMPA GAS D192/141X2 DN125   | 1 |
| 4130 | 65311586   | LEITUNGSDOSE VENTILANTRIEB AGA64<br>STEKKER VROUWELIJK AGA64                         | PRISE FEMELLE AGA64<br>TOMA HEMBRA AGA64   | PRESA FEMMINA AGA64                      | 1 |
| 4140 | 65311615   | GERAETESTECKDOSE GDMW 30-11 DF<br>STEKKER GDMW 30-11 DF                              | PRISE GDMW 30-11 DF<br>TOMA GDMW 30-11 DF  | PRESA GDMW 30-11 DF                      | 1 |
| 4150 | 13010091   | GASDRUCKWACHTER GW 500 A5 100-500MB<br>GASDRUKSCHAKELAAR GW 500 A5 30-500MB          | MANOSTAT GAZ GW 500 A5 100-500MB<br>PRESOSTATO GAS GW 500 A5 30-500MB                | PRESSOSTATO GAS GW 500 A5 100-500MB      | 1 |
|      | 65311597   | DRUCKWAECHTER GW 150 A6 M. STECKERANSCHL<br>GASDRUKSCHAKELAAR GW 150 A6 10-150MB DIN | MANOSTAT GAZ GW 150 A6 10-150MB DIN<br>PRESOSTATO GAS GW 150 A6 10-150MB DIN         | PRESSOSTATO GAS GW 150 A6 10-150MB DIN   | 1 |
| 4300 | 65311460   | GASFILTER GF65MF-2020-A-1 DN65 1BAR<br>GASFILTER GF65MF-2020-A-1 DN65 1BAR           | FILTRE GAZ GF65MF-2020-A-1 DN65 1BAR<br>FILTRO GAS GF65MF-2020-A-1 DN65 1BAR         | FILTRO GAS GF65MF-2020-A-1 DN65 1BAR     | 1 |
|      | 65311461   | GASFILTER GF80MF-2424-A-1 DN80 1BAR<br>GASFILTER GF80MF-2424-A-1 DN80 1BAR           | FILTRE GAZ GF80MF-2424-A-1 DN80 1BAR<br>FILTRO GAS GF80MF-2424-A-1 DN80 1BAR         | FILTRO GAS GF80MF-2424-A-1 DN80 1BAR     | 1 |
|      | 65311462   | GASFILTER GF100MF-3232-A-1 DN100 1BAR<br>GASFILTER GF100MF-3232-A-1 DN100 1BAR       | FILTRE GAZ GF100MF-3232-A-1 DN100 1BAR<br>FILTRO GAS GF100MF-3232-A-1 DN100 1BAR     | FILTRO GAS GF100MF-3232-A-1 DN100 1BAR   | 1 |
|      | 65311463   | GASFILTER GF125MF-4040-A-1 DN125 1BAR<br>GASFILTER GF125MF-4040-A-1 DN125 1BAR       | FILTRE GAZ GF125MF-4040-A-1 DN125 1BAR<br>FILTRO GAS GF125MF-4040-A-1 DN125 1BAR     | FILTRO GAS GF125MF-4040-A-1 DN125 1BAR   | 1 |
|      | 65311892   | GASFILTER GF150MF-4848-A-1 DN150 1BAR<br>GASFILTER GF150MF-4848-A-1 DN150 1BAR       | FILTRE GAZ GF150MF-4848-A-1 DN150 1BAR<br>FILTRO GAS GF150MF-4848-A-1 DN150 1BAR     | FILTRO GAS GF150MF-4848-A-1 DN150 1BAR   | 1 |
| 4301 | 65311623   | ERSATZTEILSET F.GASFILTER GF150MF<br>FILTERELEMENT GF150MF                           | ELEMENT FILTRANT GF150MF<br>ELEMENTO FILTRANTE GF150MF                               | ELEMENTO FILTRANTE GF150MF               | 1 |
|      | 65311723   | ERSATZTEILSET F.GASFILTER GF 65MF<br>FILTERELEMENT GF65MF                            | ELEMENT FILTRANT GF65MF<br>ELEMENTO FILTRANTE GF65MF                                 | ELEMENTO FILTRANTE GF65MF                | 1 |
|      | 65311888   | ERSATZTEILSET F.GASFILTER GF 80MF<br>FILTERELEMENT GF80MF                            | ELEMENT FILTRANT GF80MF<br>ELEMENTO FILTRANTE GF80MF                                 | ELEMENTO FILTRANTE GF80MF                | 1 |
|      | 65311889   | ERSATZTEILSET F.GASFILTER GF100MF<br>FILTERELEMENT GF100MF                           | ELEMENT FILTRANT GF100MF<br>ELEMENTO FILTRANTE GF100MF                               | ELEMENTO FILTRANTE GF100MF               | 1 |
|      | 65311890   | ERSATZTEILSET F.GASFILTER GF125MF<br>FILTERELEMENT GF125MF                           | ELEMENT FILTRANT GF125MF<br>ELEMENTO FILTRANTE GF125MF                               | ELEMENTO FILTRANTE GF125MF               | 1 |
| 4505 | 65321049   | DICHTUNG/GASSTRECKE D125/90X3<br>PAKKING/GASTRAIN D125/90X3                          | JOINT/RAMPE GAZ D125/90X3<br>JUNTA/GASTRAIN D125/90X3                                | GUARNIZIONE/RAMPA GAS D125/90X3          | 1 |
| 4510 | 65311494   | GASANSCHLUSSST. DN65-DN80 PN16<br>GASAANSLUITBUIJS DN65-DN80 PN16                    | COLLECTEUR DN65-DN80 PN16<br>COLECTOR DN65-DN80 PN16                                 | COLLETTORE DN65-DN80 PN16                | 1 |
|      | 65311506   | GASANSCHLUSSST. DN65-DN65 PN16<br>GASAANSLUITBUIJS DN65-DN65 PN16                    | COLLECTEUR DN65-DN65 PN16<br>COLECTOR DN65-DN65 PN16                                 | COLLETTORE DN65-DN65 PN16                | 1 |
|      | 65311508   | GASANSCHLUSSST. DN65-DN100 PN16<br>GASAANSLUITBUIJS DN65-DN100 PN16                  | COLLECTEUR DN65-DN100 PN16<br>COLECTOR DN65-DN100 PN16                               | COLLETTORE DN65-DN100 PN16               | 1 |
| 4520 | 65311601   | GERADE-EINSCHRAUBSTUT.P-EGES 12L/R 1/4WD<br>RECHTE AANSLUITING P-EGES 12L/R 1/4WD    | RACCORD DROIT P-EGES 12L/R 1/4WD<br>RACOR RECTO P-EGES 12L/R 1/4WD                   | RACCORDO DESTRO P-EGES 12L/R 1/4WD       | 1 |
| 4530 | 65311344   | T-VERSCHRAUBUNG P-TV 12 L<br>T-STUK P-TV 12 L  | RACCORD EN T P-TV 12 L<br>RACOR EN T P-TV 12 L                                       | RACCORDO A T P-TV 12 L                   | 1 |
| 4560 | 65311607   | STOPFEN D15/10X21 VSD 12L/S O.M.MB<br>STOP D15/10X21 VSD 12L/S O.M.MB                | BOUCHON D15/10X21 VSD 12L/S O.M.MB<br>TAPÓN D15/10X21 VSD 12L/S O.M.MB               | TAPPO D15/10X21 VSD 12L/S O.M.MB         | 1 |
| 4580 | 65311844   | GASVENTIL MBC-1900-SE DN65 40-80MBAR<br>GASKLEP MBC1900 SE DN65 40-80MBAR            | VANNE GAZ MBC1900 SE DN65 40-80MBAR<br>VALVULA GAS MBC1900SE DN65 40-80MBAR          | VALVOLA GAS MBC1900 SE DN65 40-80MBAR    | 1 |

|      |  | DE  |  | FR  |  | IT                                       |  |  |
|------|---|---|--|---|--|--|--|---|
|      |   | NL  |  | ES  |  |  |  |   |
|      | 65311845  | GASVENTIL MBC-3100-SE DN80 40-80MBAR<br>GASKLEP MBC3100 SE DN80 40-80 MBAR          |  | VANNE GAZ MBC3100 SE DN80 40-80 MBAR<br>VALVULA GAS MBC3100 SE DN80 40-80 MBAR    |  | VALVOLA GAS MBC3100 SE DN80 40-80 MBAR   |  | 1   |
|      | 65311846  | GASVENTIL MBC-5000-SE DN100 40-80MBAR<br>GASKLEP MBC5000 SE DN100 40-80 MBAR        |  | VANNE GAZ MBC5000 SE DN100 40-80 MBAR<br>VALVULA GAS MBC5000 SE DN100 40-80 MBAR  |  | VALVOLA GAS MBC5000 SE DN100 40-80 MBAR  |  | 1   |
| 4620 | 65311342  | DICHTUNG/GASSTRECKE D218/169X2 DN150<br>PAKKING/GASSTRAAT D218/169X2 DN150          |  | JOINT/RAMPE GAZ D218/169X2 DN150<br>JUNTA/RAMPA DE GAS D218/169X2 DN150           |  | GUARNIZIONE/RAMPA GAS D218/169X2 DN150   |  | 1   |
|      | 65311611  | DICHTUNG/GASSTRECKE D127/77X2 DN65<br>PAKKING/GASSTRAAT D127/77X2 DN65              |  | JOINT/RAMPE GAZ D127/77X2 DN65<br>JUNTA/RAMPA DE GAS D127/77X2 DN65               |  | GUARNIZIONE/RAMPA GAS D127/77X2 DN65     |  | 1   |
|      | 65311612  | DICHTUNG/GASSTRECKE D142/90X2 DN80<br>PAKKING/GASSTRAAT D142/90X2 DN80              |  | JOINT/RAMPE GAZ D142/90X2 DN80<br>JUNTA/RAMPA DE GAS D142/90X2 DN80               |  | GUARNIZIONE/RAMPA GAS D142/90X2 DN80     |  | 1   |
|      | 65311613  | DICHTUNG/GASSTRECKE D162/115X2 DN100<br>PAKKING/GASSTRAAT D162/115X2 DN100          |  | JOINT/RAMPE GAZ D162/115X2 DN100<br>JUNTA/RAMPA DE GAS D162/115X2 DN100           |  | GUARNIZIONE/RAMPA GAS D162/115X2 DN100   |  | 1   |
|      | 65311614  | DICHTUNG/GASSTRECKE D192/141X2 DN125<br>PAKKING/GASSTRAAT D192/141X2 DN125          |  | JOINT/RAMPE GAZ D192/141X2 DN125<br>JUNTA/RAMPA DE GAS D192/141X2 DN125           |  | GUARNIZIONE/RAMPA GAS D192/141X2 DN125   |  | 1   |
| 4640 | 13010091  | GASDRUCKWACHTER GW 500 A5 100-500MB<br>GASDRUKSCHAKELAAR GW 500 A5 30-500MB         |  | MANOSTAT GAZ GW 500 A5 100-500MB<br>PRESOSTATO GAS GW 500 A5 30-500MB             |  | PRESSOSTATO GAS GW 500 A5 100-500MB      |  | 1   |
|      | 65311597  | DRUCKWACHTER GW 150 A6 M. STECKERANSCHL<br>GASDRUKSCHAKELAAR GW 150 A6 10-150MB DIN |  | MANOSTAT GAZ GW 150 A6 10-150MB DIN<br>PRESOSTATO GAS GW 150 A6 10-150MB DIN      |  | PRESSOSTATO GAS GW 150 A6 10-150MB DIN   |  | 1   |
| 4650 | 65311615  | GERAETESTECKDOSE GDMW 30-11 DF<br>STEKKER GDMW 30-11 DF                             |  | PRISE GDMW 30-11 DF<br>TOMA GDMW 30-11 DF   |  | PRESA GDMW 30-11 DF                      |  | 1   |
| 4800 | 65311460  | GASFILTER GF65MF-2020-A-1 DN65 1BAR<br>GASFILTER GF65MF-2020-A-1 DN65 1BAR          |  | FILTRE GAZ GF65MF-2020-A-1 DN65 1BAR<br>FILTRO GAS GF65MF-2020-A-1 DN65 1BAR      |  | FILTRO GAS GF65MF-2020-A-1 DN65 1BAR     |  | 1   |
|      | 65311461  | GASFILTER GF80MF-2424-A-1 DN80 1BAR<br>GASFILTER GF80MF-2424-A-1 DN80 1BAR          |  | FILTRE GAZ GF80MF-2424-A-1 DN80 1BAR<br>FILTRO GAS GF80MF-2424-A-1 DN80 1BAR      |  | FILTRO GAS GF80MF-2424-A-1 DN80 1BAR     |  | 1   |
|      | 65311462  | GASFILTER GF100MF-3232-A-1 DN100 1BAR<br>GASFILTER GF100MF-3232-A-1 DN100 1BAR      |  | FILTRE GAZ GF100MF-3232-A-1 DN100 1BAR<br>FILTRO GAS GF100MF-3232-A-1 DN100 1BAR  |  | FILTRO GAS GF100MF-3232-A-1 DN100 1BAR   |  | 1   |
|      | 65311463  | GASFILTER GF125MF-4040-A-1 DN125 1BAR<br>GASFILTER GF125MF-4040-A-1 DN125 1BAR      |  | FILTRE GAZ GF125MF-4040-A-1 DN125 1BAR<br>FILTRO GAS GF125MF-4040-A-1 DN125 1BAR  |  | FILTRO GAS GF125MF-4040-A-1 DN125 1BAR   |  | 1   |
|      | 65311892  | GASFILTER GF150MF-4848-A-1 DN150 1BAR<br>GASFILTER GF150MF-4848-A-1 DN150 1BAR      |  | FILTRE GAZ GF150MF-4848-A-1 DN150 1BAR<br>FILTRO GAS GF150MF-4848-A-1 DN150 1BAR  |  | FILTRO GAS GF150MF-4848-A-1 DN150 1BAR   |  | 1   |
| 4801 | 65311623  | ERSATZTEILSET F.GASFILTER GF150MF<br>FILTERELEMENT GF150MF                          |  | ELEMENT FILTRANT GF150MF<br>ELEMENTO FILTRANTE GF150MF                            |  | ELEMENTO FILTRANTE GF150MF               |  | 1   |
|      | 65311723  | ERSATZTEILSET F.GASFILTER GF 65MF<br>FILTERELEMENT GF65MF                           |  | ELEMENT FILTRANT GF65MF<br>ELEMENTO FILTRANTE GF65MF                              |  | ELEMENTO FILTRANTE GF65MF                |  | 1   |
|      | 65311888  | ERSATZTEILSET F.GASFILTER GF 80MF<br>FILTERELEMENT GF80MF                           |  | ELEMENT FILTRANT GF80MF<br>ELEMENTO FILTRANTE GF80MF                              |  | ELEMENTO FILTRANTE GF80MF                |  | 1   |
|      | 65311889  | ERSATZTEILSET F.GASFILTER GF100MF<br>FILTERELEMENT GF100MF                          |  | ELEMENT FILTRANT GF100MF<br>ELEMENTO FILTRANTE GF100MF                            |  | ELEMENTO FILTRANTE GF100MF               |  | 1   |
|      | 65311890  | ERSATZTEILSET F.GASFILTER GF125MF<br>FILTERELEMENT GF125MF                          |  | ELEMENT FILTRANT GF125MF<br>ELEMENTO FILTRANTE GF125MF                            |  | ELEMENTO FILTRANTE GF125MF               |  | 1   |
| 5002 | 65312447  | FEUERUNGSAUT. BT340 BASISEINSTELL.<br>BRANDERAUT. BT340 BASIS AFSTELLING            |  | COFFRET BT340 REGLAGE DE BASE<br>PROGRAMADOR BT340 CONFIGUR. BÁSICA               |  | APPARECCH. BT340 REGOL. BASE             |  | 1   |
| 5010 | 65311362  | PRUEFBRENNER M.DRUCKKNOPFHahn PB2<br>PROEFBRANDER MET DRUKKNOP PB2                  |  | BRULEUR ESSAI AVEC B. POUSSOIR PB2<br>QUEMADOR DE PRUEBA CON PULSADOR PB2         |  | BRUCIATORE DI PROVA CON PULSANTE PB2     |  | 1   |
| 5020 | 65311918  | VSM100 (LSB-M 667R0200-1)<br>VSM100-MODULE (LSB-M 667R0200-1)                       |  | MODULE VSM100 (LSB-M 667R0200-1)<br>MÓDULO VSM100 (LSB-M 667R0200-1)              |  | MODULO VSM100 (LSB-M 667R0200-1)         |  | 1   |
| 5042 | 65311940  | RELAIS FIN 38.61.8.240.5060 KLL 1W FZ<br>RELAIS FIN 38.61.8.240.5060 KLL 1W FZ      |  | RELAIS FIN 38.61.8.240.5060 KLL 1W FZ<br>RELE FIN 38.61.8.240.5060 KLL 1W FZ      |  | RELE FIN 38.61.8.240.5060 KLL 1W FZ      |  | 1   |
| 5070 | 65311949  | DURCHGANGSKLEMME WAGO (GRAU) 2004-1301<br>DOORVERBINDINGSKLEM WAGO GRIJS 2004-1301  |  | BORNE DE JONCTION WAGO (GRIS) 2004-1301<br>BORNE DE PASO WAGO (GRIS) 2004-1301    |  | MORSETTO PASSANTE WAGO (GRIGIO)2004-1301 |  | 1   |
| 5071 | 65311950  | DURCHGANGSKLEMME WAGO (PE) 2004-1307<br>DOORVERBINDINGSKLEM WAGO (PE) 2004-1307     |  | BORNE DE JONCTION WAGO (TERRE) 2004-1307<br>BORNE DE PASO WAGO (PE) 2004-1307     |  | MORSETTO PASSANTE WAGO (TERRA) 2004-1307 |  | 1   |
| 5080 | 65311793  | MOTORSCHUETZ SCH D 3-4KW LC1D09P7<br>CONTACT MOTOR SCH D 3-4kW LC1D09P7             |  | CONTACTEUR MOTEUR SCH D 3-4KW LC1D09P7<br>CONTACTOR DE MOTOR SCH D 3-4kW LC1D09P7 |  | CONTATTORE MOTORE SCH D 3-4kW LC1D09P7   |  | 1   |
| 5085 | 65311945  | MOTORSCHUTZSCHALTER 0.75KW GV2ME07<br>VERMOGENSCHAKEL. MOTOR 0,75kW GV2ME07         |  | DISJONCTEUR MOTEUR 0,75kW GV2ME07<br>INTERRUPTOR MOTOR 0,75kW GV2ME07             |  | INTERRUTTORE MOTORE 0,75kW GV2ME07       |  | 1   |
|      | 65311946  | MOTORSCHUTZSCHALTER 1.1-1.5KW GV2ME08<br>VERMOGENSCHAKEL. MOTOR 1,1-1,5kW GV2ME     |  | DISJONCTEUR MOTEUR 1,1-1,5kW GV2ME08<br>INTERRUPTOR MOTOR 1,1-1,5kW GV2ME08       |  | INTERRUTTORE MOTORE 1,1-1,5kW GV2ME08    |  | 1   |
| 5086 | 65311795  | HILFSSCHALTER GVAE11<br>HULPSCHAKELAAR GVAE11                                       |  | CONTACT AUXILIAIRE GVAE11<br>INTERRUPTOR AUXILIAR GVAE11                          |  | INTERRUTTORE AUSILIARIO GVAE11           |  | 1   |
| 5087 | 65311776  | MOTORSCHUTZSCHALTER 7,5kW GV2ME20<br>VERMOGENSCHAKEL. MOTOR 7,5 kW GV2ME20          |  | DISJONCTEUR MOTEUR 7,5 kW GV2ME20<br>INTERRUPTOR MOTOR 7,5 kW GV2ME20             |  | INTERRUTTORE MOTORE 7,5 kW GV2ME20       |  | 1   |
|      | 65311794  | MOTORSCHUTZSCHALTER 3-4KW GV2ME14<br>VERMOGENSCHAKEL. MOTOR 3-4kW GV2ME14           |  | DISJONCTEUR MOTEUR 3-4KW GV2ME14<br>INTERRUPTOR MOTOR 3-4kW GV2ME14               |  | INTERRUTTORE MOTORE 3-4KW GV2ME14        |  | 1   |
|      | 65312033  | MOTORSCHUTZSCHALTER 5,5kW GV2ME16<br>VERMOGENSCHAKEL. MOTOR 5,5kW GV2ME16           |  | DISJONCTEUR MOTEUR 5,5kW GV2ME16<br>INTERRUPTOR MOTOR 5,5kW GV2ME16               |  | INTERRUTTORE MOTORE 5,5kW GV2ME16        |  | 1   |
| 5090 | 65311951  | FREQ.UMRICHTER ACS310 3KW<br>FREQ.OMVORMER ACS310 3KW                               |  | VARIATEUR FREQ. ACS310 3KW<br>CONVERTIDORES FREQ. ACS310 3KW                      |  | VARIATORE FREQ. ACS310 3KW               |  | 1   |
|      | 65311952  | FREQ.UMRICHTER ACS310 4KW<br>FREQ.OMVORMER ACS310 4KW                               |  | VARIATEUR FREQ. ACS310 4KW<br>CONVERTIDORES FREQ. ACS310 4KW                      |  | VARIATORE FREQ. ACS310 4KW               |  | 1   |
|      | 65311953  | FREQ.UMRICHTER ACS310 7,5KW<br>FREQ.OMVORMER ACS310 7,5KW                           |  | VARIATEUR FREQ. ACS310 7,5KW<br>CONVERTIDORES FREQ. ACS310 7,5KW                  |  | VARIATORE FREQ. ACS310 7,5KW             |  | 1   |

| ☞    | XXXXXXXX   | DE   | FR   | IT                                       | X |
|------|------------|--|--|--|---|
|      |            | NL   | ES   |  |   |
| 5091 | 65311954   | LÜFTER/FREQUENZUMRICHTER ACS310 3-4KW<br>KOELVENTILAT./FREQ.OMVORMER ACS310 3-4KW    | VENTIL.REFROI./VARIAT.FREQ. ACS310 3-4KW<br>VENTILAD.REFRIG./CONV.FREC. ACS310 3-4KW | VENTOL.RAFFRED./VARIA.FREQ. ACS310 3-4KW | 1 |
|      | 65312804   | LÜFTER/FREQUENZUMRICHT. ACS310 5,5-7,5KW<br>KOELVENT./FREQ.OMVORMER ACS310 5,5-7,5KW | VENTIL.REFR./VAR.FREQ. ACS310 5,5-7,5KW<br>VENT.REFRIG./CONV.FREC. ACS310 5,5-7,5KW  | VENT.RAFFRED./VAR.FREQ. ACS310 5,5-7,5KW | 1 |
| 5092 | 65311955   | FILTERGITTER IP54 125x125 ELDON EFA200R5<br>VENTIL.FILT. IP54 125X125 ELDON EFA200R5 | FILTRE AERAT.IP54 125X125 ELDON EFA200R5<br>FILT.VENTIL. IP54 125X125 ELDON EFA200R5 | FILTRO AERAZ.IP54 125x125 ELDON EFA200R5 | 1 |
| 5110 | 65311439   | KLEMMLEISTE WAGO STRG.N6-9 GL-E/F3 TB<br>KLEMMENSTROOK WAGO STRG.N6-9 GL-E/F3 TB     | BORNIER WAGO STRG.N6-9 GL-E/F3 TB<br>REGLETA BORNES WAGO STRG.N6-9 GL-E/F3 TB        | MORSETTIERA WAGO STRG.N6-9 GL-E/F3 TB    | 1 |
| 5111 | 65311440   | ICOTEK EMV STECKFUSS 3-6MM KLEMMLEISTE<br>CONNECTORHOUDER 3-6 MM                     | SUPPORT CONNECTEUR 3-6MM<br>SOPORTE DE CONECTOR 3-6 MM                               | SUPPORTO CONNETTORE 3-6MM                | 1 |
| 5112 | 65311441   | DURCHGANGSKLEMME WAGO (ORANGE) 2001-1202<br>DOORVERBINDINGSKLEM WAGO ORANGE2001-1202 | BORNE DE JONCTION WAGO (ORANGE)2001-1202<br>BORNE DE PASO WAGO (NARANJA) 2001-1202   | MORSETTO PASSANTE WAGO(ARANCIO)2001-1202 | 1 |
| 5113 | 65311442   | ICOTEK EMV STECKFUSS 6-8MM KLEMMLEISTE<br>CONNECTORHOUDER 6-8 MM                     | SUPPORT CONNECTEUR 6-8MM<br>SOPORTE DE CONECTOR 6-8 MM                               | SUPPORTO CONNETTORE 6-8MM                | 1 |
| 5114 | 65311443   | DURCHGANGSKLEMME WAGO (GRAU) 2001-1201<br>DOORVERBINDINGSKLEM WAGO GRIJS 2001-1201   | BORNE DE JONCTION WAGO (GRIS) 2001-1201<br>BORNE DE PASO WAGO (GRIS) 2001-1201       | MORSETTO PASSANTE WAGO (GRIGIO)2001-1201 | 1 |
| 5115 | 65311444   | DURCHGANGSKLEMME WAGO (PE) 2001-1207<br>DOORVERBINDINGSKLEM WAGO (PE) 2001-1207      | BORNE DE JONCTION WAGO (TERRE) 2001-1207<br>BORNE DE PASO WAGO (PE) 2001-1207        | MORSETTO PASSANTE WAGO (TERRA) 2001-1207 | 1 |
| 5116 | 65311445   | DURCHGANGSKLEMME WAGO (PE) 2001-1407<br>DOORVERBINDINGSKLEM WAGO (PE) 2001-1407      | BORNE DE JONCTION WAGO (TERRE) 2001-1407<br>BORNE DE PASO WAGO (PE) 2001-1407        | MORSETTO PASSANTE WAGO (TERRA) 2001-1407 | 1 |
| 5117 | 65311446   | WAG BETAETIGUNGSWERKZEUG 2009-309<br>BEDIENINGSGEREEDSCHAP WAG 2009-309              | OUTIL DE MANOEUVRE WAG 2009-309<br>HERRAMIENTA D.ACCIONAM. WAG 2009-309              | DISPOSITIVO DI MANOVRA WAG 2009-309      | 1 |
| 5118 | 65311447   | DURCHGANGSKLEMME WAGO (NEUTRAL)2001-1404<br>DOORVERBINDINGSKLEM WAGO (N) 2001-1404   | BORNE DE JONCTION WAGO (NEUTRE)2001-1404<br>BORNE DE PASO WAGO (NEUTRO) 2001-1404    | MORSETTO PASSANTE WAGO (NEUTRO)2001-1404 | 1 |
| 5119 | 65311448   | DURCHGANGSKLEMME WAGO (NEUTRAL)2001-1204<br>DOORVERBINDINGSKLEM WAGO (N) 2001-1204   | BORNE DE JONCTION WAGO (NEUTRE)2001-1204<br>BORNE DE PASO WAGO (NEUTRO) 2001-1204    | MORSETTO PASSANTE WAGO (NEUTRO)2001-1204 | 1 |
| 5120 | 65311449   | DURCHGANGSKLEMME WAGO (GRAU) 2001-1401<br>DOORVERBINDINGSKLEM WAGO GRIJS 2001-1401   | BORNE DE JONCTION WAGO (GRIS) 2001-1401<br>BORNE DE PASO WAGO (GRIS) 2001-1401       | MORSETTO PASSANTE WAGO (GRIGIO)2001-1401 | 1 |
| 5121 | 65311450   | PRÜFLAST ETAMATIC 663R1199<br>TESTLADING ETAMATIC 663R1199                           | CHARGE D'ESSAI ETAMATIC 663R1199<br>CARGA DE PRUEBA ETAMATIC 663R1199                | CARICA DI TEST ETAMATIC 663R1199         | 1 |
| 5122 | 65311451   | KABELVERSCHRAUBUNG M16<br>PAKKINGBUS M16   | PRESSE-ETOUPE M16<br>PRENSAESTOPAS M16   | PREMISTOPPA M16                          | 1 |
|      | 65311758   | KABELVERSCHRAUBUNG M20<br>PAKKINGBUS M20   | PRESSE-ETOUPE M20<br>PRENSAESTOPAS M20   | PREMISTOPPA M20                          | 1 |
|      | 65311759   | KABELVERSCHRAUBUNG M25<br>PAKKINGBUS M25   | PRESSE-ETOUPE M25<br>PRENSAESTOPAS M25   | PREMISTOPPA M25                          | 1 |
| 5123 | 65311786   | DEMONTAGWERKZEUG KABELVER. CLICK M16<br>CLIC TOOL M16                                | OUTIL CLIC M16<br>CLIC TOOL M16  | CLIC TOOL M16                            | 1 |
|      | 65311787   | DEMONTAGWERKZEUG KABELVER. CLICK M20<br>CLIC TOOL M20                                | OUTIL CLIC M20<br>CLIC TOOL M20  | CLIC TOOL M20                            | 1 |
|      | 65311788   | DEMONTAGWERKZEUG KABELVER. CLICK M25<br>CLIC TOOL M25                                | OUTIL CLIC M25<br>CLIC TOOL M25  | CLIC TOOL M25                            | 1 |
| 5150 | 1758811789 | NETZTEIL ML30.100 - 24V DC<br>VOEDING ML30.100-24V DC                                | BLOC D'ALIMENTATION ML30.100-24V DC<br>FUENTE DE ALIMENTACION ML30.100-24V DC        | ALIMENTATORE ML30.100-24V DC             | 1 |
| 5200 | 65311948   | MOTORSTARTER Y-D 3-7.5KW LC3D090AP7<br>MOTOR STARTER Y/D 7,5 KW LC3D090AP7           | DEMARREUR MOT. ET./TRI.7,5KW LC3D090AP7<br>ARRANQUE MOTOR Y/D 7,5 KW LC3D090AP7      | AVVIATORE STELLA/TRIA. 7,5 KW LC3D090AP7 | 1 |
| 5210 | 65311793   | MOTORSCHUETZ SCH D 3-4kW LC1D09P7<br>CONTACT MOTOR SCH D 3-4kW LC1D09P7              | CONTACTEUR MOTEUR SCH D 3-4kW LC1D09P7<br>CONTACTOR DE MOTOR SCH D 3-4kW LC1D09P7    | CONTATTORE MOTORE SCH D 3-4kW LC1D09P7   | 1 |
| 5300 | 65114033   | REGLER RWF 55.50A9<br>REGELAAR RWF 55.50A9   | REGULATEUR RWF 55.50A9<br>REGULADOR RWF 55.50A9                                      | REGOLATORE RWF 55.50A9                   | 1 |
| 5400 | 65311827   | ANSCHLUSSSTUECK F.KUEHLUNG FU A.GEH.L318<br>BUIS VOOR KOELING VAN FREQ.OMVORM. L318  | TUBE REFROIDISSEMENT DU VARIATEUR L318<br>TUBO REFRIG.PARA CONVERTIDOR FREC. L318    | TUBO PER RAFFREDDAMENTO VARIATORE L318   | 1 |
|      | 65311828   | ANSCHLUSSSTUECK F.KUEHLUNG FU A.GEH.L468<br>BUIS VOOR KOELING VAN FREQ.OMVORM. L468  | TUBE REFROIDISSEMENT DU VARIATEUR L468<br>TUBO REFRIG.PARA CONVERTIDOR FREC. L468    | TUBO PER RAFFREDDAMENTO VARIATORE L468   | 1 |

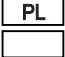
|  |  |   |  |  |  |
|---|---|--|---|---|---|
| 1005  | 65313830  | ПРИВОДНОЙ ШАТ. МАЛОГО РАЗМ./ВОЗД L.160<br>PREŤ JAZDY/HAVA KLAPEŖI L.160            | HASTE ELEVAÇÃO ALETA DE AR C.160  | WAŁ/PRZEPUSTNICA POWIETRZA L.160  | 1   |
| 1010  | 65311617  | ФЛАНЕЦ 38X63X19 D12 T=100 GRD UFL001<br>FLANŐI 38X63X19 D12 T=100 GRD UFL001       | FLANGE 38X63X19 D12 T=100 GRD UFL001  | KOŁNIERZ 38X63X19 D12 T=100 GRD UFL001  | 1   |
|   | 65311967  | ФЛАНЕЦ 37X62X15 D12 KFL001<br>FLANŐI 37X62X15 D12 KFL001                           | FLANGE 37X62X15 D12 KFL001  | KOŁNIERZ 37X62X15 D12 KFL001  | 1   |
| 1015  | 65313827  | РЫЧАГ ОСЬ ВОЗДУШН.ЗАСЛОНКА N6/7 ВНЕШНИЙ<br>KOLU AKSI HAVA KLAPEŖI N6/7 DIŐ         | ALAVANCA HASTE FLAP DE AR N6/7 EXTERNO  | DŹWIGNIA OŐ PRZEPUS.POWIE.N6/7 ZEWNĘTRZ.  | 1   |
| 1020  | 65311657  | ИНДИКАТОР ВОЗДУШНОЙ ЗАСЛОНКИ<br>HAVA KANALI GŐSTERGESI                             | INDICADOR DE FLAP DE AR   | WSKAŹNIK KLAPY POWIETRZA  | 1   |
| 1025  | 65313955  | РЫЧАГ ОСЬ ВОЗДУШН.ЗАСЛОНКА N6/7 ВНУТРЕН.<br>KOLU AKSI HAVA KLAPEŖI N6/7 IÇ         | ALAVANCA HASTE FLAP DE AR N6/7 INTERNO  | DŹWIGNIA OŐ PRZEPUS.POWIE.N6/7 WEWNĘTRZ.  | 1   |
| 1040  | 65311474  | ВОЗДУШНЫЙ КОЖУХ<br>HAVA KILAVUZU   | GUIA AR   | PRZEWODNIK POWIETRZA  | 1   |
|   | 65311490  | ВОЗДУШНЫЙ КОЖУХ<br>HAVA KILAVUZU   | GUIA AR   | PRZEWODNIK POWIETRZA  | 1   |
| 1050  | 1180603227  | БЕСЦВЕТ. ГЛАЗОК ДЛЯ КОНТРОЛЯ ПЛАМЕНИ<br>RENKSIZ GŐZETLEME CAMI D55X21              | VIGIA INCOLOR D55X21  | WZIERNIK BEZBARWNA D55X21   | 1   |
| 1060  | 1188052260  | ГЛАЗОК ДЛЯ КОНТРОЛЯ ПЛАМЕНИ КОРОБ<br>KARAK/GŐZETLEME CAMI D55X61                   | TAMPA VIGIA D55X61  | POKRYWA/WZIERNIK D55X61   | 1   |
| 1070  | 1180559591  | ГАЙКА/ГЛАЗОК ДЛЯ КОНТРОЛЯ ПЛАМЕНИ<br>SOMUN/GŐZETLEME CAMI M48X1,5 SW60             | PARAFUSO VIGIA M48X1,5 SW60   | NAKRĘTKA/WZIERNIK M48X1,5 SW60  | 1   |
| 1080  | 65311473  | РАБОЧЕЕ КОЛЕСО D450/252X90 D38+ПЛИТА D58<br>TÜRBIN D450/252X90 D38+PLAKA D58/12    | TURBINA D450/252X90 D38+PRATO D58/12  | WIMIK D450/252X90 D38+PŁYTA D58/12  | 1   |
|   | 65311489  | РАБОЧЕЕ КОЛЕСО D438/225X89 D28+ПЛИТА D58<br>TÜRBIN D438/225X89 D28+PLAKA D58/12    | TURBINA D438/225X89 D28+PRATO D58/12  | WIMIK D438/225X89 D28+PŁYTA D58/12  | 1   |
|   | 65311822  | РАБОЧЕЕ КОЛЕСО D485/252X102D38+ПЛИТА D58<br>TÜRBIN D485/252X102 D38+PLAKA D58/12   | TURBINA D485/252X102 D38+PRATO D58/12   | WIMIK D485/252X102 D38+PŁYTA D58/12   | 1   |
| 1090  | 65311471  | ТРАНСФОРМАТОР РОЗЖИГА EBI 1X11 230V<br>ATEŐLEME TRAFÖ. EBI 1X11 230V               | TRANSFO IGNIÇÃO EBI 1X11 230V   | TRANSFO ZAPŁONOWY EBI 1X11 230V   | 1   |
| 1095  | 65310925  | ТРАНСФО РОЗЖИГА EBI 2X7,5 230V<br>ATEŐLEME TRAFÖ. EBI 2X7,5 230V                   | TRANSFO IGNIÇÃO EBI 2X7,5 230V  | TRANSFO ZAPŁONOWY EBI 2X7,5 230V  | 1   |
| 1100  | 65311472  | ЗЕРКАЛО/ГЛАЗОК ДЛЯ КОНТРОЛЯ ПЛАМЕНИ<br>AYNA/GŐZETLEME CAMI                         | ESPELHO/VIGIA   | LUSTRO/WZIERNIK   | 1   |
| 1110  | 65311595  | РЕЛЕ ДАВ. ВОЗДУХА LGW 50 A2P 2,5-50MB<br>HAVA BASINÇ ŖALT. LGW 50 A2P 2,5-50MB     | PRESSOSTATO AR LGW 50 A2P 2,5-50MB  | CZUJNIK CIŐ. POW. LGW 50 A2P 2,5-50MB   | 1   |
| 1115  | 1758106258  | ФОТОРЕЗИСТОР QRA 2<br>HÜCRE QRA 2  | CELULA QRA 2  | FOTOKOMÓRKA QRA 2   | 1   |
| 1120  | 65311544  | ГАЗОВЫЙ КЛАПАН В СБОРЕ N6/7<br>KOMPLE GAZ KLAPEŖI N6/7                             | VÁLVULA DE GÁS EQ. N6/7   | ZAWÓR GAZU KOMPLETNY N6/7   | 1   |
| 1160  | 65311650  | СЕРВОДВИГАТЕ STE 4,5 Q3.51/6+CABLE L3000<br>SERVOMOTOR STE 4,5 Q3.51/6+CABLE L3000 | SERVOMOTOR STE 4,5 Q3.51/6+CABO L3000   | SERWOMOTOR STE 4,5 Q3.51/6+CABLE L3000  | 1   |
| 1170  | 65311824  | ЭЛЕКТРОДВИГАТЕ.3KW 400/690V D28 IE3 СЕР.<br>MOTORU 3KW 400/690V D28 IE3 GRI        | MOTOR 3KW 400/690V D28 IE3 CINZENTO   | SILNIK 3KW 400/690V D28 IE3 SZARY   | 1   |
|   | 65312556  | ЭЛЕКТРОДВИ. 4,0KW 400/690V D28 IE3 ЧЕРН.<br>MOTORU 4,0KW 400/690V D28 IE3 SIYAH    | MOTOR 4,0KW 400/690V D28 IE3 PRETO  | SILNIK 4,0KW 400/690V D28 IE3 CZARNY  | 1   |
|   | 65312557  | ЭЛЕКТРОДВИ. 5,5KW 400/690V D38 IE3 ЧЕРН.<br>MOTORU 5,5KW 400/690V D38 IE3 SIYAH    | MOTOR 5,5KW 400/690V D38 IE3 PRETO  | SILNIK 5,5KW 400/690V D38 IE3 CZARNY  | 1   |
|   | 65312835  | ЭЛЕКТРОД.7,5KW 400/690V D38 IE3 AF СЕР.<br>MOTORU 7,5KW 400/690V D38 IE3 AF GRI    | MOTOR 7,5KW 400/690V D38 IE3 AF CINZENTO  | SILNIK 7,5KW 400/690V D38 IE3 AF SZARY  | 1   |
| 1180  | 65311502  | МАГНИТ FIX КОЖУХ ГОРЕЛКИ<br>MAGNET FIX KARAGI BRULOR                               | IMAN FIX COBERTURA QUEIMADOR  | MAGNET FIX OSŁONA PALNIKA   | 1   |
| 1200  | 65311476  | ОСЬ / ВОЗДУШНАЯ ЗАСЛОНКА 12X12X510<br>AKSI / HAVA KLAPEŖI 12X12X510                | HASTE / FLAP DE AR 12X12X510  | OŐ / PRZEPUSTNICA POWIETRZA 12X12X510   | 1   |
| 1205  | 65311477  | ВОЗДУШНАЯ ЗАСЛОНКА N6/7<br>HAVA KLAPEŖI N6/7                                       | FLAP DE AR N6/7   | PRZEPUSTNICA POWIETRZA N6/7   | 1   |
|   | 65313954  | ВОЗДУШНЫЕ ЗАСЛОНКИ N6/N7 + ВАЛЫ<br>HAVA KANATLARI N6/N7 + MILLER                   | FLAPS DE AR N6/N7 + HASTES  | KLAPY POWIETRZA N6/N7 + WAŁY  | 1   |
| 1250  | 65313969  | РЫЧАГ ТРАНСМИССИИ СЕРВОДВИГАТЕЛЬ<br>SERVOMOTOR AKTARMA KOLUNUN                     | ALAVANCA DE TRANSMISSÃO SERVOMOTOR  | DŹWIGNIA BIEGÓW SERVOMOTOR  | 1   |
| 1260  | 65313970  | ПРИВОДНОЙ ШАТ. МАЛОГО РАЗМ./ВОЗД L.120<br>AKSI JAZDY/HAVA KLAPEŖI L.120            | HASTE ELEVAÇÃO ALETA DE AR L120   | OŐ /PRZEPUSTNICA POWIETRZA L.120  | 1   |
| 1300  | 65313915  | НАКЛАДКА 76X56X2.5<br>KARAK PLAKASI 76X56X2.5                                      | PLACA DE COBERTURA 76X56X2.5  | POKRYWA 76X56X2.5   | 1   |
| 1605  | 65311789  | АДАПТЕР BT300/DFM300 RAST5<br>ADAPTÖR BT300/DFM300 RAST5                           | ADAPTADOR BT300/DFM300 RAST5  | ADAPTER BT300/DFM300 RAST5  | 1   |
| 1610  | 65311790  | МОДУЛЬ LCM100 (LSB-M 667R0500-1)<br>MODÜLÜ LCM100 (LSB-M 667R0500-1)               | MÓDULO LCM100 (LSB-M 667R0500-1)  | MODUL LCM100 (LSB-M 667R0500-1)   | 1   |
| 1615  | 65311791  | МОДУЛЬ DFM300 (LSB-M 667R0600-1)<br>MODÜLÜ DFM300 (LSB-M 667R0600-1)               | MÓDULO DFM300 (LSB-M 667R0600-1)  | MODUL DFM300 (LSB-M 667R0600-1)   | 1   |
| 1620  | 65311449  | ПРОХОДНАЯ КЛЕММА WAGO (СЕРАЯ) 2001-1401<br>DEVRE TERMINALI WAGO (GRI) 2001-1401    | BORNE DE PASAGEM WAGO (CINZA) 2001-1401   | ZACISK PRZELOTOWY WAGO (SZARY) 2001-1401  | 1   |




|  |  | <b>RU</b><br><b>TR</b>   | <b>PT</b>                                | <b>PL</b>                                |  |
|---|---|--|--|--|---|
| 1625  | 65311447  | ПРОХОДНАЯ КЛЕММА WAGO (N) 2001-1404<br>DEVRE TERMINALI WAGO (N) 2001-1404            | BORNE DE PASAGEM WAGO (NEUTRO) 2001-1404 | ZACISK PRZELOTOWY WAGO (N) 2001-1404     | 1   |
| 1626  | 65311445  | ПРОХОДНАЯ КЛЕММА WAGO (PE) 2001-1407<br>DEVRE TERMINALI WAGO (PE) 2001-1407          | BORNE DE PASAGEM WAGO (PE) 2001-1407     | ZACISK PRZELOTOWY WAGO (PE) 2001-1407    | 1   |
| 1640  | 65311446  | ИНСТРУМЕНТЫ WAG 2009-309<br>İŞLETİM ARAC WAG 2009-309                                | FERRAMENTA WAG 2009-309                  | NARZĘD. D.PRZEŁĄCZANIA WAG 2009-309      | 1   |
| 1645  | 65311793  | ВЫКЛЮЧ. ЭЛЕКТРОДВ. SCH D 3-4kW LC1D09P7<br>KONTAKTOER MOTOR SCH D 3-4kW LC1D09P7     | CONTACTOR MOTOR SCH D 3-4kW LC1D09P7     | STYCNİK SILNIK SCH D 3-4kW LC1D09P7      | 1   |
| 1650  | 65311945  | РАЗЪЕДИНИТ. ЭЛЕКТРОДВИГА. 0,75KW GV2ME07<br>DEVRE KESİCİ MOTOR 0,75KW GV2ME07        | DISJUNTOR MOTOR 0,75KW GV2ME07           | WYŁĄCZNIKI SILNIK 0,75KW GV2ME07         | 1   |
|   | 65311946  | РАЗЪЕДИНИТ. ЭЛЕКТРОДВИГА. 1,1-1,5KW GV2<br>DEVRE KESİCİ MOTOR 1,1-1,5KW GV2ME08      | DISJUNTOR MOTOR 1,1-1,5KW GV2ME08        | WYŁĄCZNIKI SILNIK 1,1-1,5KW GV2ME08      | 1   |
| 1651  | 65311795  | ВСПОМОГАТЕЛЬНЫЙ ПЕРЕКЛЮЧАТЕЛЬ GVAE11<br>YARDIMCI ANAHTARI GVAE11                     | INTERRUPTOR AUXILIAR GVAE11              | PRZEŁĄCZNIK POMOCNICZY GVAE11            | 1   |
| 1655  | 65311793  | ВЫКЛЮЧ. ЭЛЕКТРОДВ. SCH D 3-4kW LC1D09P7<br>KONTAKTOER MOTOR SCH D 3-4kW LC1D09P7     | CONTACTOR MOTOR SCH D 3-4kW LC1D09P7     | STYCNİK SILNIK SCH D 3-4kW LC1D09P7      | 1   |
|   | 65311947  | ВЫКЛЮЧА.ЭЛЕКТРОДВ. SCH D3-7,5KW LC1D18P7<br>KONTAKTOER MOT. SCH D 3-7,5KW LC1D18P7   | CONTACTOR MOTOR SCH D 3-7,5KW LC1D18P7   | STYCNİK SILNIK SCH D 3-7,5KW LC1D18P7    | 1   |
|   | 65312032  | ВЫКЛЮЧАТ. ЭЛЕКТРОДВИГ. SCH D 5,5kW LC1D1<br>KONTAKTOER MOTOR SCH D 5,5kW LC1D12P7    | CONTACTOR MOTOR SCH D 5,5kW LC1D12P7     | STYCNİK SILNIK SCH D 5,5kW LC1D12P7      | 1   |
| 1660  | 65311776  | РАЗЪЕДИНИТ. ЭЛЕКТРОДВИГА. 7,5 kW GV2ME20<br>DEVRE KESİCİ MOTOR 7,5 kW GV2ME20        | DISJUNTOR MOTOR 7,5 kW GV2ME20           | WYŁĄCZNIKI SILNIK 7,5 kW GV2ME20         | 1   |
|   | 65311794  | РАЗЪЕДИНИТ. ЭЛЕКТРОДВИГА. 3-4KW GV2ME14<br>DEVRE KESİCİ MOTOR 3-4KW GV2ME14          | DISJUNTOR MOTOR 3-4KW GV2ME14            | WYŁĄCZNIKI SILNIK 3-4KW GV2ME14          | 1   |
|   | 65312033  | РАЗЪЕДИНИТ. ЭЛЕКТРОДВИГА. 5,5kW GV2ME16<br>DEVRE KESİCİ MOTOR 5,5kW GV2ME16          | DISJUNTOR MOTOR 5,5kW GV2ME16            | WYŁĄCZNIKI SILNIK 5,5kW GV2ME16          | 1   |
| 1661  | 65311795  | ВСПОМОГАТЕЛЬНЫЙ ПЕРЕКЛЮЧАТЕЛЬ GVAE11<br>YARDIMCI ANAHTARI GVAE11                     | INTERRUPTOR AUXILIAR GVAE11              | PRZEŁĄCZNIK POMOCNICZY GVAE11            | 1   |
| 1665  | 65311919  | ШАССИ, 3 ДЕТАЛИ M22-A<br>EKİPMAN RAFI, 3 GÖZLÜ M22-A                                 | SUPORTE DE APARELHO, 3 NIVEIS M22-A      | WSPORNIK URZĄDZENIA, 3 POZIOMY M22-A     | 1   |
| 1666  | 65311443  | ПРОХОДНАЯ КЛЕММА WAGO (СЕРАЯ) 2001-1201<br>DEVRE TERMINALI WAGO (GRI) 2001-1201      | BORNE DE PASAGEM WAGO (CINZA) 2001-1201  | ZACISK PRZELOTOWY WAGO (SZARY) 2001-1201 | 1   |
| 1667  | 65311444  | ПРОХОДНАЯ КЛЕММА WAGO (PE) 2001-1207<br>DEVRE TERMINALI WAGO (PE) 2001-1207          | BORNE DE PASAGEM WAGO (PE) 2001-1207     | ZACISK PRZELOTOWY WAGO (PE) 2001-1207    | 1   |
| 1670  | 65311920  | СВЕТОДИОДНЫЙ ЭЛЕМЕНТ, БЕЛЫЙ M22-CLED230<br>LED ELEMEN, BEYAZ M22-CLED230             | ELEMENTO LED, BRANCO M22-CLED230         | ELEMENT LED, BIAŁY M22-CLED230           | 1   |
|   | 65311921  | РАЗМЫКАЮЩИЙ КОНТАКТ M22 -CK01<br>KILIT AÇMA KONTAK M22 -CK01                         | CONTACTO NF M22 -CK01                    | STYKI ROZWIERNE M22 -CK01                | 1   |
|   | 65311922  | РАЗМЫКАЮЩИЙ ДВОЙНОЙ КОНТАКТ M22-CK02<br>ÇİFT KILIT AÇMA KONTAK M22-CK02              | CONTACTO DUPLO NF M22-CK02               | PODWÓJNE STYKI ROZWIERNE M22-CK02        | 1   |
|   | 65311923  | ЗАМЫКАЮЩИЙ КОНТАКТ M22-CK10<br>KILIT KAPATMA KONTAK M22-CK10                         | CONTACTO NA M22-CK10                     | STYKI ZWIERNE M22-CK10                   | 1   |
|   | 65311924  | ЗАМЫКАЮЩИЙ ДВОЙНОЙ КОНТАКТ M22-CK20<br>ÇİFT KILIT KAPATMA KONTAK M22-CK20            | CONTACTO DUPLO NA M22-CK20               | PODWÓJNE STYKI ZWIERNE M22-CK20          | 1   |
| 1675  | 65312454  | БЛОК УПРАВЛЕНИЯ BT340 GL-E<br>KUTU BT340 GL-E  | PROGRAMADOR BT340 GL-E                   | MODUŁ BT340 GL-E                         | 1   |
| 1676  | 65311926  | ЗАГЛУШКА X30-X34 667R0001<br>KÖR KARAK X30-X34 667R0001                              | TAMPA CEGA X30-X34 667R0001              | ZASŁĘPKA X30-X34 667R0001                | 1   |
| 1680  | 65311927  | ПРОХОДНАЯ КЛЕММА WAGO ОРАНЖЕВАЯ2001-1402<br>DEVRE TERMINALI WAGO (TURUNCU) 2001-1402 | BORNE DE PASAGEM WAGO LARANJA 2001-1402  | ZACISK PRZELOTOWY WAGO POMARA 2001-1402  | 1   |
| 1685  | 65311445  | ПРОХОДНАЯ КЛЕММА WAGO (PE) 2001-1407<br>DEVRE TERMINALI WAGO (PE) 2001-1407          | BORNE DE PASAGEM WAGO (PE) 2001-1407     | ZACISK PRZELOTOWY WAGO (PE) 2001-1407    | 1   |
| 1690  | 65311449  | ПРОХОДНАЯ КЛЕММА WAGO (СЕРАЯ) 2001-1401<br>DEVRE TERMINALI WAGO (GRI) 2001-1401      | BORNE DE PASAGEM WAGO (CINZA) 2001-1401  | ZACISK PRZELOTOWY WAGO (SZARY) 2001-1401 | 1   |
| 1695  | 65311447  | ПРОХОДНАЯ КЛЕММА WAGO (N) 2001-1404<br>DEVRE TERMINALI WAGO (N) 2001-1404            | BORNE DE PASAGEM WAGO (NEUTRO) 2001-1404 | ZACISK PRZELOTOWY WAGO (N) 2001-1404     | 1   |
| 1700  | 65311451  | САЛБНИК M16<br>KABLO RAKORU M16  | PRENSAESTOPAS M16                        | DŁAWNICA M16                             | 1   |
|   | 65311758  | САЛБНИК M20<br>KABLO RAKORU M20  | PRENSAESTOPAS M20                        | DŁAWNICA M20                             | 1   |
|   | 65311759  | САЛБНИК M25<br>KABLO RAKORU M25  | PRENSAESTOPAS M25                        | DŁAWNICA M25                             | 1   |
| 1701  | 65311786  | CLIC TOOL M16<br>CLIC TOOL M16   | CLIC TOOL M16                            | CLIC TOOL M16                            | 1   |
|   | 65311787  | CLIC TOOL M20<br>CLIC TOOL M20   | CLIC TOOL M20                            | CLIC TOOL M20                            | 1   |
|   | 65311788  | CLIC TOOL M25<br>CLIC TOOL M25   | CLIC TOOL M25                            | CLIC TOOL M25                            | 1   |
| 1705  | 65311443  | ПРОХОДНАЯ КЛЕММА WAGO (СЕРАЯ) 2001-1201<br>DEVRE TERMINALI WAGO (GRI) 2001-1201      | BORNE DE PASAGEM WAGO (CINZA) 2001-1201  | ZACISK PRZELOTOWY WAGO (SZARY) 2001-1201 | 1   |
| 1710  | 65311441  | ПРОХОДНАЯ КЛЕММА WAGO ОРАНЖЕ. 2001-1202<br>DEVRE TERMINALI WAGO (TURUNCU)2001-1202   | BORNE DE PASAGEM WAGO LARANJA 2001-1202  | ZACISK PRZELOTOWY WAGO POMARA 2001-1202  | 1   |

|      |          | RU<br>TR   | PT                                       | PL                                       | X |
|------|----------|--|--|--|---|
| 1715 | 65311931 | АВТОМАТИЧЕСКИЙ ВЫКЛЮЧАТЕЛЬ ЕМНИЙЕТ ОТОМАТИ?И   | DISJUNTOR AUTOMÁTICO 1P SCHNEIDER 23614  | BEZPIECZNIK AUTOMATYCZNY 1P SCHNEIDER 23 | 1 |
| 1716 | 65311932 | КЛЕММНАЯ КОЛОДКА WAGO STRG. N6-9 GL-E BT<br>TERMINAL BLOQU WAGO STRG. N6-9 GL-E BT   | BLOCO TERMINAL WAGO STRG. N6-9 GL-E BT   | LISTWA ZACISKOWA WAGO STRG. N6-9 GL-E BT | 1 |
| 1735 | 65311436 | СВЕТЯЩАЯСЯ КНОПКА, 3-ПОЗ., С<br>IŞIKLI SEÇİM TUŞU, 3 KADEMELİ                        | INTERRUPTOR RETROILLUM., 3 POS.,BLOQU.   | PODŚWIETLANY PRZYCISK WYBORU, 3-STOP., B | 1 |
| 1740 | 65311437 | СВЕТЯЩАЯСЯ КНОПКА, 3-ПОЗ., С<br>IŞIKLI SEÇİM TUŞU, 3 KADEMELİ                        | INTERRUPTOR RETROILLUM., 3 POS.,BLOQU.   | PODŚWIETLANY PRZYCISK WYBORU, 3-STOP., B | 1 |
| 1745 | 65326869 | ДИСПЛЕЙ БЛОКА УПРАВЛЕНИЯ ВТ3ХХ<br>EKRAN KUTU BT3XX                                   | VISOR UNIDADE DE CONTROLE BT3XX          | WYŚWIETLACZ MODUŁ BT3XX                  | 1 |
| 1750 | 65311364 | ПРОКЛАДКА/ДИСПЛЕЙ 152/140X80/70X2<br>CONTASI/EKRAN 152/140X80/70X2                   | GAXETA/VISOR 152/140X80/70X2             | USZCZELKA/WYŚWIETLACZ 152/140X80/70X2    | 1 |
| 1755 | 65311438 | СВЕТЯЩАЯСЯ КНОПКА, 2-ПОЗ., СФИКСАЦИЕЙ<br>IŞIKLI SEÇİM TUŞU, 2 KADEMELİ               | INTERRUPTOR RETROILLUM., 2 POS.,BLOQU.   | PODŚWIETLANY PRZYCISK WYBORU, 2-STOP., B | 1 |
| 2020 | 65311848 | СОПЛО ГОРЕЛКИ D263/240/290/250 L380<br>BRÜLÖR BORUSU D263/240/290/250 L380           | TUBO DO QUEIMADOR D263/240/290/250 L380  | RURA PALNIKA D263/240/290/250 L380       | 1 |
|      | 65311849 | СОПЛО ГОРЕЛКИ D263/240/290/250 L500<br>BRÜLÖR BORUSU D263/240/290/250 L500           | TUBO DO QUEIMADOR D263/240/290/250 L500  | RURA PALNIKA D263/240/290/250 L500       | 1 |
|      | 65311850 | СОПЛО ГОРЕЛКИ D263/240/290/250 L620<br>BRÜLÖR BORUSU D263/240/290/250 L620           | TUBO DO QUEIMADOR D263/240/290/250 L620  | RURA PALNIKA D263/240/290/250 L620       | 1 |
|      | 65311851 | СОПЛО ГОРЕЛКИ D263/310/265 L380<br>BRÜLÖR BORUSU D263/310/265 L380                   | TUBO DO QUEIMADOR D263/310/265 L380      | RURA PALNIKA D263/310/265 L380           | 1 |
|      | 65311852 | СОПЛО ГОРЕЛКИ D263/310/265 L500<br>BRÜLÖR BORUSU D263/310/265 L500                   | TUBO DO QUEIMADOR D263/310/265 L500      | RURA PALNIKA D263/310/265 L500           | 1 |
|      | 65311853 | СОПЛО ГОРЕЛКИ D263/310/265 L620<br>BRÜLÖR BORUSU D263/310/265 L620                   | TUBO DO QUEIMADOR D263/310/265 L620      | RURA PALNIKA D263/310/265 L620           | 1 |
|      | 65311854 | СОПЛО ГОРЕЛКИ D325/275/340/280 L425<br>BRÜLÖR BORUSU D325/275/340/280 L425           | TUBO DO QUEIMADOR D325/275/340/280 L425  | RURA PALNIKA D325/275/340/280 L425       | 1 |
|      | 65311855 | СОПЛО ГОРЕЛКИ D325/275/340/280 L555<br>BRÜLÖR BORUSU D325/275/340/280 L555           | TUBO DO QUEIMADOR D325/275/340/280 L555  | RURA PALNIKA D325/275/340/280 L555       | 1 |
|      | 65311856 | СОПЛО ГОРЕЛКИ D325/275/340/280 L685<br>BRÜLÖR BORUSU D325/275/340/280 L685           | TUBO DO QUEIMADOR D325/275/340/280 L685  | RURA PALNIKA D325/275/340/280 L685       | 1 |
|      | 65311857 | СОПЛО ГОРЕЛКИ D325/370/310 L425<br>BRÜLÖR BORUSU D325/370/310 L425                   | TUBO DO QUEIMADOR D325/370/310 L425      | RURA PALNIKA D325/370/310 L425           | 1 |
|      | 65311858 | СОПЛО ГОРЕЛКИ D325/370/310 L555<br>BRÜLÖR BORUSU D325/370/310 L555                   | TUBO DO QUEIMADOR D325/370/310 L555      | RURA PALNIKA D325/370/310 L555           | 1 |
|      | 65311859 | СОПЛО ГОРЕЛКИ D325/370/310 L685<br>BRÜLÖR BORUSU D325/370/310 L685                   | TUBO DO QUEIMADOR D325/370/310 L685      | RURA PALNIKA D325/370/310 L685           | 1 |
| 2070 | 65313731 | КАБЕЛЬ РОЗЖИГА FZLSI 1X1,00Q-CU/СИЛИКОН.<br>ATEŞLEME KABLO. FZLSI 1X1,00Q-CU/SILIKON | CABO IGNIZACAO FZLSI 1X1,00Q-CU/SILICONE | PRZEWÓD ZAPŁON. FZLSI 1X1,00Q-CU/SILIKON | 1 |
| 2071 | 65311374 | КРУГЛЫЙ РАЗЪЕМ D6.4/КАБЕЛЬ РОЗЖИГА<br>YUVARLAK KONNEKTÖR D6.4/ATEŞLEME KABLOSU       | CONECTOR REDONDO D6.4/CABO IGNIZACAO     | OKRĄGŁE ZŁĄCZE D6.4/PRZEWÓD ZAPŁONOWY    | 1 |
| 2072 | 13013226 | СОПРОТИВЛЕНИЕ ПРОТИВОПАРАЗИТАРНОЕ<br>DİRENÇ ANTİPARAZİTER                            | MANÍPULO ANTİPARASİTÁRIO                 | REZYSTANCJA PRZECIWPASOŻYTNICZE          | 1 |
| 2110 | 65311860 | ДЕФЛЕКТОР D238/45X36,5 8SL 6DRIL.<br>DEFLEKTOR D238/45X36,5 8SL 6DRIL.               | DEFLECTOR D238/45X36,5 8SL 6DRIL.        | DEFLEKTOR D238/45X36,5 8SL 6DRIL.        | 1 |
|      | 65311861 | ДЕФЛЕКТОР D280/62 12SL 6DRIL.<br>DEFLEKTOR D280/62 12SL 6DRIL.                       | DEFLECTOR D280/62 12SL 6DRIL.            | DEFLEKTOR D280/62 12SL 6DRIL.            | 1 |
| 2130 | 65311862 | ГАЗОВЫЕ ДИФУЗОРЫ D25/D16<br>GAZ DİFÜZÖRLER D25/D16                                   | DIFUSOR GAS D25/D16                      | DYSZ GAZU D25/D16                        | 1 |
|      | 65311863 | ГАЗОВЫЕ ДИФУЗОРЫ D25/D18<br>GAZ DİFÜZÖRLER D25/D18                                   | DIFUSOR GAS D25/D18                      | DYSZ GAZU D25/D18                        | 1 |
| 2190 | 65310989 | ЭЛЕКТРОД ЗАЖИГАНИЯ D9X50D3X65 105°L150D4<br>ATEŞLEYİCİ ELEKT. D9X50D3X65 105°L150D4  | ELETRODO ENC. D9X50 D3X65 105°L150 d4    | ELEKTRODA ALU. D9X50 D3X65 105°L150 d4   | 1 |
| 2200 | 65310990 | ЭЛЕКТРОД ЗАЖИГ. D9X50 D3X71 20° L150 D4<br>ATEŞLEYİ.ELEKT.D9X50 D3X71 20° L150 D4    | ELETROD.ENCEND.D9X50 D3X71 20° L150 D4   | ELEKTRODA ALU.D9X50 D3X71 20° L150 D4    | 1 |
| 2220 | 65311555 | ДЕРЖАТЕЛЬ ЭЛЕКТРОД ЗАЖИГАНИЯ(ДИЗЕЛЬНОГО)<br>DESTEĞİ ATEŞLEYİCİ ELEKTROD (YAKIT)      | SUPORTE ELETRODO ENCENDIDO (FUEL)        | WSPORNİK ELEKTRODA ALU. (OLEJU)          | 1 |
| 2235 | 65311393 | ФОРСУНКА FLU 180KG 50° W2<br>PÜSK. MEMESİ FLU 180KG 50° W2                           | BOQUILLA FLU 180KG 50° W2                | DYSZA FLU 180KG 50° W2                   | 1 |
|      | 65312605 | ФОРСУНКА FLU 250KG 50° W2<br>PÜSK. MEMESİ FLU 250KG 50° W2                           | BOQUILLA FLU 250KG 50° W2                | DYSZA FLU 250KG 50° W2                   | 1 |
|      | 65323551 | ФОРСУНКА FLU 400KG 50° W2<br>PÜSK. MEMESİ FLU 400KG 50° W2                           | BOQUILLA FLU 400KG 50° W2                | DYSZA FLU 400KG 50° W2                   | 1 |
|      | 65323552 | ФОРСУНКА FLU 450KG 50° W2<br>PÜSK. MEMESİ FLU 450KG 50° W2                           | BOQUILLA FLU 450KG 50° W2                | DYSZA FLU 450KG 50° W2                   | 1 |
| 2260 | 65311491 | O-RING 6387D97,79X5,33 NBR<br>O-RING 6387D97,79X5,33 NBR                             | O-RING 6387D97,79X5,33 NBR               | O-RING 6387D97,79X5,33 NBR               | 1 |
| 2360 | 65311864 | РУКОВОДСТВО ЛИНИЯ ФОРСУНКИ<br>KILAVUZ PÜSKÜRTME MEMESİ HATTI                         | GUIA LÍNEA DE BOQUILLA                   | PRZEWODNIK UKŁAD DYSZY                   | 1 |
| 2370 | 65321060 | ПРОКЛАДКА/ТРУБКА ГАЗОВЫЕ D74/45X3<br>CONTASI/TUPLU GAZ D74/45X3                      | GAXETA/TUBO GAS D74/45X3                 | USZCZELKA/BORUSU GAZOWY D74/45X3         | 1 |

|  |  |   |  |  |  |
|---|---|--|---|---|---|
| 2380  | 65311815  | ЛИНИЯ ФОРСУНКИ 1D 7/8Z L900<br>PÜSKÜRTME MEMESİ HATTI 1D 7/8Z L900                 | LÍNEA DE BOQUILLA 1D 7/8Z L900  | UKŁAD DYSZY 1D 7/8Z L900  | 1   |
|   | 65311866  | ЛИНИЯ ФОРСУНКИ 1D 7/8Z L664<br>PÜSKÜRTME MEMESİ HATTI 1D 7/8Z L664                 | LÍNEA DE BOQUILLA 1D 7/8Z L664  | UKŁAD DYSZY 1D 7/8Z L664  | 1   |
|   | 65311867  | ЛИНИЯ ФОРСУНКИ 1D 7/8Z L580<br>PÜSKÜRTME MEMESİ HATTI 1D 7/8Z L580                 | LÍNEA DE BOQUILLA 1D 7/8Z L580  | UKŁAD DYSZY 1D 7/8Z L580  | 1   |
|   | 65311868  | ЛИНИЯ ФОРСУНКИ 1D 7/8Z L748<br>PÜSKÜRTME MEMESİ HATTI 1D 7/8Z L748                 | LÍNEA DE BOQUILLA 1D 7/8Z L748  | UKŁAD DYSZY 1D 7/8Z L748  | 1   |
|   | 65311871  | ЛИНИЯ ФОРСУНКИ 1D 7/8Z L832<br>PÜSKÜRTME MEMESİ HATTI 1D 7/8Z L832                 | LÍNEA DE BOQUILLA 1D 7/8Z L832  | UKŁAD DYSZY 1D 7/8Z L832  | 1   |
| 2490  | 65311873  | ШЛАНГ НЕРЖАВЕЮЩИЙ.F.EL,S 30BAR L400<br>ESNEK EDELST.F.EL,S 30BAR L400              | FLEXIVEL INOXIDAVEL .F.EL,S 30BAR L400  | PRZEWÓD GIĘTKI NIERDZE.F.EL,S 30BAR L400  | 1   |
| 2510  | 65311564  | ЭЛЕКТРОДВИГАТЕЛЬ 0,75KW 230/400V IE3 GMP<br>MOTORU 0,75KW 230/400V IE3 GMP         | MOTOR 0,75KW 230/400V IE3 GMP   | SILNIK 0,75KW 230/400V IE3 GMP  | 1   |
|   | 65311829  | ЭЛЕКТРОДВИГАТЕЛЬ 1,1KW230/400V IE3 GMP<br>MOTORU 1,1KW230/400V IE3 GMP             | MOTOR 1,1KW230/400V IE3 GMP   | SILNIK 1,1KW230/400V IE3 GMP  | 1   |
|   | 65325517  | ЭЛЕКТРОДВИГАТЕЛЬ 1,5KW230/400V IE3 GMP<br>MOTORU 1,5KW230/400V IE3 GMP IP55        | MOTOR 1,5KW230/400V IE3 GMP IP55  | SILNIK 1,5KW230/400V IE3 GMP IP55   | 1   |
| 2520  | 65312206  | РЕЛЕ ДАВ. ВОЗДУХА DSB 158 F931 3-25BAR<br>YAKIT BASINÇ ŞALT. DSB 158 F931 3-25BAR  | PRESSOSTATO FUEL DSB 158 F931 3-25BAR   | CZUJNIK CIŚ.OLEJU OP.DSB158 F931 3-25BAR  | 1   |
| 2530  | 13022666  | ЭЛЕКТРОКЛАПАН LUC 321F2523 P8 PG11 19W<br>ELECTROVANA LUC 321F2523 P8 PG11 19W     | ELECTROVALVULA LUC 321F2523 P8 PG11 19W   | ELEKTROZAWOR LUC 321F2523 P8 PG11 19W   | 1   |
|   | 13022667  | ЭЛЕКТРОКЛАПАН LUC 121F2523 P8 PG11 19W<br>ELECTROVANA LUC 121F2523 P8 PG11 19W     | ELECTROVALVULA LUC 121F2523 P8 PG11 19W   | ELEKTROZAWOR LUC 121F2523 P8 PG11 19W   | 1   |
| 2540  | 65311572  | МАНОМЕТР ГЛИЦЕРИН D 63 0-40 BAR G1/4<br>GLISERIN MANOMETRE D 63 0-40 BAR G1/4      | MANOMETRO GLICERINA D 63 0-40 BAR G1/4  | MANOMETR GLICERYNA D 63 0-40 BAR G1/4   | 1   |
| 2550  | 65311831  | ПРОКЛАДОЧНОЕ КОЛЬЦО M6/M8X42 SW15<br>PASPAYI M6/M8X42 SW15                         | ESPAÇADOR M6/M8X42 SW15   | ROZPÓRKA M6/M8X42 SW15  | 1   |
| 2560  | 65311832  | ДЕРЖАТЕЛЬ СЕРВОДВИГАТЕЛЬ<br>DESTEĞİ SERVOMOTOR                                     | SUPOORTE SERVOMOTOR   | WSPORNIK SERWOMOTOR   | 1   |
| 2580  | 65311616  | ПРОКЛАДКА GDM 3-21<br>CONTASI GDM 3-21   | GAXETA GDM 3-21   | USZCZELKA GDM 3-21  | 1   |
| 2590  | 65311615  | РАЗЪЕМ GDMW 30-11 DF<br>PRIZ GDMW 30-11 DF   | TOMADA GDMW 30-11 DF  | GNIAZDO GDMW 30-11 DF   | 1   |
| 2600  | 65311650  | СЕРВОДВИГАТЕ STE 4,5 Q3.51/6+CABLE L3000<br>SERVOMOTOR STE 4,5 Q3.51/6+CABLE L3000 | SERVOMOTOR STE 4,5 Q3.51/6+CABO L3000   | SERWOMOTOR STE 4,5 Q3.51/6+CABLE L3000  | 1   |
|   | 65311833  | СЕРВОДВИГАТЕЛЬ STM 40 Q15.51/8 2NR<br>SERVOMOTOR STM 40 Q15.51/8 2NR               | SERVOMOTOR STM 40 Q15.51/8 2NR  | SERWOMOTOR STM 40 Q15.51/8 2NR  | 1   |
| 2610  | 65311578  | ФИЛЬТР R3/4 ДЮИМ OVENTROP<br>FILTRE R3/4Z OVENTROP                                 | FILTRO R3/4 POLEGADA OVENTROP   | FILTR R3/4 CAL OVENTROP   | 1   |
| 2700  | 65311577  | НАСОС HP UHE-A3-P-I-4-20<br>POMPA HP UHE-A3-P-I-4-20                               | BOMBA HP UHE-A3-P-I-4-20  | POMPA HP UHE-A3-P-I-4-20  | 1   |
| 2750  | 13019342  | ШЛАНГ M30X1,5 DN20 L=1500<br>ESNEK M30X1,5 DN20 L=1500                             | FLEXIVEL M30X1,5 DN20 L=1500  | PRZEWÓD GIĘTKI M30X1,5 DN20 L=1500  | 1   |
| 3005  | 65321049  | ПРОКЛАДКА/GASTRAIN D125/90X3<br>CONTASI/GASTRAIN D125/90X3                         | GAXETA/GASTRAIN D125/90X3   | USZCZELKA/GASTRAIN D125/90X3  | 1   |
| 3010  | 65311488  | КОЛЛЕКТОР DN65-R2Z 2G1/4 PN16<br>MANIFOLD DN65-R2Z 2G1/4 PN16                      | COLETOR DN65-R2Z 2G1/4 PN16   | KOLEKTOR DN65-R2Z 2G1/4 PN16  | 1   |
|   | 65311503  | КОЛЛЕКТОР DN65-R1 1/2Z 2G1/4 PN16<br>MANIFOLD DN65-R1 1/2Z 2G1/4 PN16              | COLETOR DN65-R1 1/2Z 2G1/4 PN16   | KOLEKTOR DN65-R1 1/2Z 2G1/4 PN16  | 1   |
| 3020  | 65311606  | ПРЯМОЙ ШТУЦЕР P-GEV 8LR-WD-VI<br>SAĞ RAKOR P-GEV 8LR-WD-VI                         | UNIÃO DIREITA P-GEV 8LR-WD-VI   | ZŁĄCZE PRAWO P-GEV 8LR-WD-VI  | 1   |
| 3030  | 65311604  | УГЛОВОЙ ШТУЦЕР P-EWV 8-L<br>DIRSEKLI RAKOR P-EWV 8-L                               | UNIÃO COTOVELO P-EWV 8-L  | ZŁĄCZKA TYPU KOLANKO P-EWV 8-L  | 1   |
| 3040  | 65311579  | ШТУЦЕР ОТБОРА ДАВЛЕНИЯ R1/4Z+УПЛОТ.<br>BASINÇ GIRIŞİ R1/4Z+CONTA                   | TOMADA DE PRESSÃO R1/4Z+JUNTA   | GNIAZ. POMIARU CIŚNIEN. R1/4Z+USZCZEL   | 1   |
| 3060  | 65311580  | ГАЗОВЫЙ КЛАПАН VGD20 4011 RP1"1/2<br>GAZ VANASI VGD20 4011 RP1"1/2                 | VALVULA GAS VGD20 4011 RP1"1/2  | ZAWÓR GAZOWY VGD20 4011 RP1"1/2   | 1   |
|   | 65311581  | ГАЗОВЫЙ КЛАПАН VGD20 5011 RP2"<br>GAZ VANASI VGD20 5011 RP2"                       | VALVULA GAS VGD20 5011 RP2"   | ZAWÓR GAZOWY VGD20 5011 RP2"  | 1   |
| 3070  | 65107100  | СЕРВОДВИГАТЕЛЬ SKP25.003 E2 БЕЗ КОНЦЕВЫ<br>SERVOMOTOR SKP 25.003 E2 LIMIT ANAHTAR  | SERVOMOT. GÁS SKP25.003 E2 SEM FIM CURSO  | SERWOSILNIK SKP25.003E2 BEZ WYŁĄCZNIKI  | 1   |
| 3080  | 65311585  | СОЕДИНИТЕЛЬ.КАБЕЛЬ AGA 62 PLUG DIN L270<br>BAĞLANTI KABLOSU AGA 62 PLUG DIN L270   | CABO DE CONEXÃO AGA 62 TOMADA DIN L270  | POŁĄCZENIOW. KABEL AGA 62 PLUG DIN L270   | 1   |
| 3090  | 1478836180  | СЕРВОДВИГАТЕЛЬ SKP15.000E2 БЕЗ КОНЦЕВЫ<br>SERVOMOTOR SKP15.000E2 LIMIT ANAHTAR     | SERVOMOTOR GAS SKP15.000E2 SEM FIM CURSA  | SERWOSILNIK SKP15.000E2 BEZ WYŁĄCZNIKI  | 1   |
| 3110  | 65311377  | ФЛАНЕЦ AGF10.50 RP2<br>FLANŞI AGF10.50 RP2   | FLANGE AGF10.50 RP2   | KOŁNIERZ AGF10.50 RP2   | 1   |
|   | 65313107  | ФЛАНЕЦ AGF10 RP1 1/2<br>FLANŞI AGF10 RP1 1/2                                       | FLANGE AGF10 RP1 1/2  | KOŁNIERZ AGF10 RP1 1/2  | 1   |
| 3120  | 13010091  | РЕЛЕ ДАВ. ВОЗДУХА GW 500 A5 30-500MB<br>GAZ BASINÇ ŞALT. GW 500 A5 100-500MB       | PRESSOSTATO GAS GW 500 A5 30-500MB  | CZUJNIK CIŚ. GAZU GW 500 A5 100-500MB   | 1   |

|      |          |    |  |  |  |
|------|----------|---|---|---|---|
|      | 65311597 | РЕЛЕ ДАВ. ГАЗА GW 150 A6 10-150MB DIN<br>GAZ BASINÇ ŞALT. GW 150 A6 10-150MB DIN    | PRESSOSTATO GÁS GW 150 A6 10-150MB DIN  | CZUJNIK CIŚ. GAZU GW 150 A6 10-150MB DIN  | 1   |
| 3130 | 65311586 | ГНЕЗДОВОЙ РАЗЪЕМ AGA64<br>DIŞI PRIZ AGA64   | TOMADA FÊMEA AGA64  | GNIAZDO AGA64   | 1   |
| 3140 | 65311615 | РАЗЪЕМ GDMW 30-11 DF<br>PRIZ GDMW 30-11 DF  | TOMADA GDMW 30-11 DF  | GNIAZDO GDMW 30-11 DF   | 1   |
| 3300 | 65311458 | ГАЗОВ. ФИЛЬТР GF80M-1212-A-1 RP1 1/2 1BAR<br>GAZ FILTR. GF80M-1212-A-1 RP1 1/2 1BAR | FILTRO GÁS GF80M-1212-A-1 RP1 1/2 1BAR  | FILTR GAZU GF80M-1212-A-1 RP1 1/2 1BAR  | 1   |
|      | 65311459 | ГАЗОВЫЙ ФИЛЬТР GF80M-1616-A-1 RP2 1BAR<br>GAZ FILTR. GF80M-1616-A-1 RP2 1BAR        | FILTRO GÁS GF80M-1616-A-1 RP2 1BAR  | FILTR GAZU GF80M-1616-A-1 RP2 1BAR  | 1   |
|      | 65311460 | ГАЗОВЫЙ ФИЛЬТР GF65MF-2020-A-1 DN65 1BAR<br>GAZ FILTR. GF65MF-2020-A-1 DN65 1BAR    | FILTRO GÁS GF65MF-2020-A-1 DN65 1BAR  | FILTR GAZU GF65MF-2020-A-1 DN65 1BAR  | 1   |
|      | 65311461 | ГАЗОВЫЙ ФИЛЬТР GF80MF-2424-A-1 DN80 1BAR<br>GAZ FILTR. GF80MF-2424-A-1 DN80 1BAR    | FILTRO GÁS GF80MF-2424-A-1 DN80 1BAR  | FILTR GAZU GF80MF-2424-A-1 DN80 1BAR  | 1   |
| 3301 | 65311361 | ФИЛЬТРУЮЩИЙ ЭЛЕМЕНТ GF 80M<br>FILTRE ELEMANI GF 80M                                 | ELEMENTO FILTRANTE GF 80M   | WKŁAD FILTRA GF 80M   | 1   |
|      | 65311723 | ФИЛЬТРУЮЩИЙ ЭЛЕМЕНТ GF65MF<br>FILTRE ELEMANI GF65MF                                 | ELEMENTO FILTRANTE GF65MF   | WKŁAD FILTRA GF65MF   | 1   |
|      | 65311888 | ФИЛЬТРУЮЩИЙ ЭЛЕМЕНТ GF80MF<br>FILTRE ELEMANI GF80MF                                 | ELEMENTO FILTRANTE GF80MF   | WKŁAD FILTRA GF80MF   | 1   |
| 3505 | 65321049 | ПРОКЛАДКА/GASTRAIN D125/90X3<br>CONTASI/GASTRAIN D125/90X3                          | GAXETA/GASTRAIN D125/90X3   | USZCZELKA/GASTRAIN D125/90X3  | 1   |
| 3510 | 65311836 | КОЛЛЕКТОР DN65-R1 1/2Z PN16<br>MANIFOLD DN65-R1 1/2Z PN16                           | COLETOR DN65-R1 1/2Z PN16   | KOLEKTOR DN65-R1 1/2Z PN16  | 1   |
|      | 65311837 | КОЛЛЕКТОР DN65-R2Z PN16<br>MANIFOLD DN65-R2Z PN16                                   | COLETOR DN65-R2Z PN16   | KOLEKTOR DN65-R2Z PN16  | 1   |
| 3580 | 65311839 | ГАЗОВЫЙ КЛАПАН MBC700SES82RP1"1/4 5-80M<br>GAZ VANA. MBC700SES82 RP1"1/4 5-80MB     | VÁLVULA GÁS MBC700SE S82 RP1"1/4 5-80MB   | ZAWÓR GAZ. MBC700SES82RP1"1/4 5-80MB  | 1   |
|      | 65311840 | ГАЗОВЫЙ КЛАПАН MBC1200SES82RP2" 5-80MB<br>GAZ VANA. MBC1200 SE S82 RP2" 5-80 MB     | VÁLVULA GÁS MBC1200 SE S82 RP2" 5-80MBA   | ZAWÓR GAZ. MBC1200SES82 RP2" 5-80MB   | 1   |
| 3620 | 65313021 | ФЛАНЕЦ MBC700/1200 RP1 1/2<br>FLANŞI MBC700/1200 RP1 1/2                            | FLANGE MBC700/1200 RP1 1/2  | KOŁNIERZ MBC700/1200 RP1 1/2  | 1   |
|      | 65313022 | ФЛАНЕЦ MBC700/1200 RP2<br>FLANŞI MBC700/1200 RP2                                    | FLANGE MBC700/1200 RP2  | KOŁNIERZ MBC700/1200 RP2  | 1   |
| 3640 | 13010091 | РЕЛЕ ДАВ. ВОЗДУХА GW 500 A5 30-500MB<br>GAZ BASINÇ ŞALT. GW 500 A5 100-500MB        | PRESSOSTATO GAS GW 500 A5 30-500MB  | CZUJNIK CIŚ. GAZU GW 500 A5 100-500MB   | 1   |
|      | 65311598 | РЕЛЕ ДАВ. ВОЗДУХА GW 150 A5 30-150MB<br>GAZ BASINÇ ŞALT. GW 150 A5 30-150MB         | PRESSOSTATO GAS GW 150 A5 30-150MB  | CZUJNIK CIŚ. GAZU GW 150 A5 30-150MB  | 1   |
| 3650 | 65311615 | РАЗЪЕМ GDMW 30-11 DF<br>PRIZ GDMW 30-11 DF  | TOMADA GDMW 30-11 DF  | GNIAZDO GDMW 30-11 DF   | 1   |
| 3700 | 13022416 | СЕТЧАТЫЙ ФИЛЬТР/ГАЗОВЫЙ КЛАПАН MBC700<br>FILTRE SÜZGECI/GAZ VANASI MBC700           | ELEMENTO FILTRANTE/VÁLVULA DE GÁS MBC700  | FILTR SITOWY/ZAWÓR GAZOWY MBC700  | 1   |
|      | 13022417 | СЕТЧАТЫЙ ФИЛЬТР/ГАЗОВЫЙ КЛАП. MBC1200<br>FILTRE SÜZGECI/GAZ VANASI MBC1200          | ELEMENTO FILTRANTE/VÁLVULA GÁS MBC1200  | FILTR SITOWY/ZAWÓR GAZOWY MBC1200   | 1   |
| 3800 | 65311458 | ГАЗОВ. ФИЛЬТР GF80M-1212-A-1 RP1 1/2 1BAR<br>GAZ FILTR. GF80M-1212-A-1 RP1 1/2 1BAR | FILTRO GÁS GF80M-1212-A-1 RP1 1/2 1BAR  | FILTR GAZU GF80M-1212-A-1 RP1 1/2 1BAR  | 1   |
|      | 65311459 | ГАЗОВЫЙ ФИЛЬТР GF80M-1616-A-1 RP2 1BAR<br>GAZ FILTR. GF80M-1616-A-1 RP2 1BAR        | FILTRO GÁS GF80M-1616-A-1 RP2 1BAR  | FILTR GAZU GF80M-1616-A-1 RP2 1BAR  | 1   |
|      | 65311460 | ГАЗОВЫЙ ФИЛЬТР GF65MF-2020-A-1 DN65 1BAR<br>GAZ FILTR. GF65MF-2020-A-1 DN65 1BAR    | FILTRO GÁS GF65MF-2020-A-1 DN65 1BAR  | FILTR GAZU GF65MF-2020-A-1 DN65 1BAR  | 1   |
|      | 65311461 | ГАЗОВЫЙ ФИЛЬТР GF80MF-2424-A-1 DN80 1BAR<br>GAZ FILTR. GF80MF-2424-A-1 DN80 1BAR    | FILTRO GÁS GF80MF-2424-A-1 DN80 1BAR  | FILTR GAZU GF80MF-2424-A-1 DN80 1BAR  | 1   |
| 3801 | 65311361 | ФИЛЬТРУЮЩИЙ ЭЛЕМЕНТ GF 80M<br>FILTRE ELEMANI GF 80M                                 | ELEMENTO FILTRANTE GF 80M   | WKŁAD FILTRA GF 80M   | 1   |
|      | 65311723 | ФИЛЬТРУЮЩИЙ ЭЛЕМЕНТ GF65MF<br>FILTRE ELEMANI GF65MF                                 | ELEMENTO FILTRANTE GF65MF   | WKŁAD FILTRA GF65MF   | 1   |
|      | 65311888 | ФИЛЬТРУЮЩИЙ ЭЛЕМЕНТ GF80MF<br>FILTRE ELEMANI GF80MF                                 | ELEMENTO FILTRANTE GF80MF   | WKŁAD FILTRA GF80MF   | 1   |
| 4005 | 65321049 | ПРОКЛАДКА/GASTRAIN D125/90X3<br>CONTASI/GASTRAIN D125/90X3                          | GAXETA/GASTRAIN D125/90X3   | USZCZELKA/GASTRAIN D125/90X3  | 1   |
| 4010 | 65311494 | КОЛЛЕКТОР DN65-DN80 PN16<br>MANIFOLD DN65-DN80 PN16                                 | COLETOR DN65-DN80 PN16  | KOLEKTOR KDN65-DN80 PN16  | 1   |
|      | 65311506 | КОЛЛЕКТОР DN65-DN65 PN16<br>MANIFOLD DN65-DN65 PN16                                 | COLETOR DN65-DN65 PN16  | KOLEKTOR DN65-DN65 PN16   | 1   |
|      | 65311508 | КОЛЛЕКТОР DN65-DN100 PN16<br>MANIFOLD DN65-DN100 PN16                               | COLETOR DN65-DN100 PN16   | KOLEKTOR DN65-DN100 PN16  | 1   |
|      | 65311509 | КОЛЛЕКТОР DN65-DN125 PN16<br>MANIFOLD DN65-DN125 PN16                               | COLETOR DN65-DN125 PN16   | KOLEKTOR DN65-DN125 PN16  | 1   |
| 4020 | 65311601 | ПРЯМОЙ ШТУЦЕР P-EGES 12L/R 1/4WD<br>SAĞ RAKOR P-EGES 12L/R 1/4WD                    | CONEXÃO DIREITA P-EGES 12L/R 1/4WD  | ZŁĄCZE PRAWO P-EGES 12L/R 1/4WD   | 1   |
| 4030 | 65311605 | ШТУЦЕР P-KV12L<br>RAKOR P-KV12L   | CONEXÃO P-KV12L   | ZŁĄCZE P-KV12L  | 1   |

|  |  |   |  |  |  |
|---|---|--|---|---|---|
| 4040  | 65311603  | УГЛОВОЙ ШТУЦЕР P-EWS 12 L-SS<br>DIRSEKLI RAKOR P-EWS 12 L-SS                       | UNIÃO COTOVELO P-EWS 12 L-SS  | ZŁĄCZKA TYPU KOLANKO P-EWS 12 L-SS  | 1   |
| 4060  | 65311607  | КРЫШКА D15/10X21 VSD 12L/S O.M.MB<br>TAPA D15/10X21 VSD 12L/S O.M.MB               | TAMPA D15/10X21 VSD 12L/S O.M.MB  | NAKRĘTKA D15/10X21 VSD 12L/S O.M.MB   | 1   |
| 4080  | 65311453  | ГАЗОВЫЙ КЛАПАН VGD40 125 DN125<br>GAZ VANASI VGD40 125 DN125                       | VALVULA GAS VGD40 125 DN125   | ZAWÓR GAZOWY VGD40 125 DN125  | 1   |
|   | 65311583  | ГАЗОВЫЙ КЛАПАН VGD40 080 DN80<br>GAZ VANASI VGD40 080 DN80                         | VALVULA GAS VGD40 080 DN80  | ZAWÓR GAZOWY VGD40 080 DN80   | 1   |
|   | 65311590  | ГАЗОВЫЙ КЛАПАН VGD40 100 DN100<br>GAZ VANASI VGD40 100 DN100                       | VALVULA GAS VGD40 100 DN100   | ZAWÓR GAZOWY VGD40 100 DN100  | 1   |
|   | 65323661  | ГАЗОВЫЙ КЛАПАН VGD40 065 DN65<br>GAZ VANASI VGD40 065 DN65                         | VÁLVULA GÁS VGD40 065 DN65  | ZAWÓR GAZOWY VGD40 065 DN65   | 1   |
| 4090  | 65107100  | СЕРВОДВИГАТЕЛЬ SKP25.003 E2 БЕЗ КОНЦЕВЫ<br>SERVOMOTOR SKP 25.003 E2 LIMIT ANAHTAR  | SERVOMOT. GÁS SKP25.003 E2 SEM FIM CURSO  | SERWOSILNIK SKP25.003E2 BEZ WYŁĄCZNIKI  | 1   |
| 4100  | 65311585  | СОЕДИНИТЕЛЬ.КАБЕЛЬ АГА 62 PLUG DIN L270<br>BAĞLANTI KABLOSU AGA 62 PLUG DIN L270   | CABO DE CONEXÃO AGA 62 TOMADA DIN L270  | POŁĄCZENIOW. KABEL AGA 62 PLUG DIN L270   | 1   |
| 4110  | 1478836180  | СЕРВОДВИГАТЕЛЬ SKP15.000E2 БЕЗ КОНЦЕВЫ<br>SERVOMOTOR SKP15.000E2 LIMIT ANAHTAR     | SERVOMOTOR GAS SKP15.000E2 SEM FIM CURSA  | SERWOSILNIK SKP15.000E2 BEZ WYŁĄCZNIKI  | 1   |
| 4120  | 65311342  | ПРОКЛАДКА/ГАЗОВАЯ РАМПА D218/169X2 DN150<br>CONTASI/GAZ RAMPASI D218/169X2 DN150   | GAXETA/RAMPA DE GAS D218/169X2 DN150  | USZCZELKA/RAMPA GAZOWA D218/169X2 DN150   | 1   |
|   | 65311611  | ПРОКЛАДКА/ГАЗОВАЯ РАМПА D127/77X2 DN65<br>CONTASI/GAZ RAMPASI D127/77X2 DN65       | GAXETA/RAMPA DE GAS D127/77X2 DN65  | USZCZELKA/RAMPA GAZOWA D127/77X2 DN65   | 1   |
|   | 65311612  | ПРОКЛАДКА/ГАЗОВАЯ РАМПА D142/90X2 DN80<br>CONTASI/GAZ RAMPASI D142/90X2 DN80       | GAXETA/RAMPA DE GAS D142/90X2 DN80  | USZCZELKA/RAMPA GAZOWA D142/90X2 DN80   | 1   |
|   | 65311613  | ПРОКЛАДКА/ГАЗОВАЯ РАМПА D162/115X2 DN100<br>CONTASI/GAZ RAMPASI D162/115X2 DN100   | GAXETA/RAMPA DE GAS D162/115X2 DN100  | USZCZELKA/RAMPA GAZOWA D162/115X2 DN100   | 1   |
|   | 65311614  | ПРОКЛАДКА/ГАЗОВАЯ РАМПА D192/141X2 DN125<br>CONTASI/GAZ RAMPASI D192/141X2 DN125   | GAXETA/RAMPA DE GAS D192/141X2 DN125  | USZCZELKA/RAMPA GAZOWA D192/141X2 DN125   | 1   |
| 4130  | 65311586  | ГНЕЗДОВОЙ РАЗЪЕМ АГА64<br>DIŞI PRIZ AGA64  | TOMADA FÊMEA AGA64  | GNIAZDO AGA64   | 1   |
| 4140  | 65311615  | РАЗЪЕМ GDMW 30-11 DF<br>PRIZ GDMW 30-11 DF   | TOMADA GDMW 30-11 DF  | GNIAZDO GDMW 30-11 DF   | 1   |
| 4150  | 13010091  | РЕЛЕ ДАВ. ВОЗДУХА GW 500 A5 30-500MB<br>GAZ BASINÇ ŞALT. GW 500 A5 100-500MB       | PRESSOSTATO GAS GW 500 A5 30-500MB  | CZUJNIK CIŚ. GAZU GW 500 A5 100-500MB   | 1   |
|   | 65311597  | РЕЛЕ ДАВ. ГАЗА GW 150 A6 10-150MB DIN<br>GAZ BASINÇ ŞALT. GW 150 A6 10-150MB DIN   | PRESSOSTATO GÁS GW 150 A6 10-150MB DIN  | CZUJNIK CIŚ. GAZU GW 150 A6 10-150MB DIN  | 1   |
| 4300  | 65311460  | ГАЗОВЫЙ ФИЛЬТР GF65MF-2020-A-1 DN65 1BAR<br>GAZ FILTR. GF65MF-2020-A-1 DN65 1BAR   | FILTRO GÁS GF65MF-2020-A-1 DN65 1BAR  | FILTR GAZU GF65MF-2020-A-1 DN65 1BAR  | 1   |
|   | 65311461  | ГАЗОВЫЙ ФИЛЬТР GF80MF-2424-A-1 DN80 1BAR<br>GAZ FILTR. GF80MF-2424-A-1 DN80 1BAR   | FILTRO GÁS GF80MF-2424-A-1 DN80 1BAR  | FILTR GAZU GF80MF-2424-A-1 DN80 1BAR  | 1   |
|   | 65311462  | ГАЗОВЫЙ ФИЛЬТР GF100MF-3232-A-1 DN100 1B<br>GAZ FILTR. GF100MF-3232-A-1 DN100 1BAR | FILTRO GÁS GF100MF-3232-A-1 DN100 1BAR  | FILTR GAZU GF100MF-3232-A-1 DN100 1BAR  | 1   |
|   | 65311463  | ГАЗОВЫЙ ФИЛЬТР GF125MF-4040-A-1 DN125 1B<br>GAZ FILTR. GF125MF-4040-A-1 DN125 1BAR | FILTRO GÁS GF125MF-4040-A-1 DN125 1BAR  | FILTR GAZU GF125MF-4040-A-1 DN125 1BAR  | 1   |
|   | 65311892  | ГАЗОВЫЙ ФИЛЬТР GF150MF-4848-A-1 DN150 1B<br>GAZ FILTR. GF150MF-4848-A-1 DN150 1BAR | FILTRO GÁS GF150MF-4848-A-1 DN150 1BAR  | FILTR GAZU GF150MF-4848-A-1 DN150 1BAR  | 1   |
| 4301  | 65311623  | ФИЛЬТРУЮЩИЙ ЭЛЕМЕНТ GF150MF<br>FILTRE ELEMENI GF150MF                              | ELEMENTO FILTRANTE GF150MF  | WKŁAD FILTRA GF150MF  | 1   |
|   | 65311723  | ФИЛЬТРУЮЩИЙ ЭЛЕМЕНТ GF65MF<br>FILTRE ELEMENI GF65MF                                | ELEMENTO FILTRANTE GF65MF   | WKŁAD FILTRA GF65MF   | 1   |
|   | 65311888  | ФИЛЬТРУЮЩИЙ ЭЛЕМЕНТ GF80MF<br>FILTRE ELEMENI GF80MF                                | ELEMENTO FILTRANTE GF80MF   | WKŁAD FILTRA GF80MF   | 1   |
|   | 65311889  | ФИЛЬТРУЮЩИЙ ЭЛЕМЕНТ GF100MF<br>FILTRE ELEMENI GF100MF                              | ELEMENTO FILTRANTE GF100MF  | WKŁAD FILTRA GF100MF  | 1   |
|   | 65311890  | ФИЛЬТРУЮЩИЙ ЭЛЕМЕНТ GF125MF<br>FILTRE ELEMENI GF125MF                              | ELEMENTO FILTRANTE GF125MF  | WKŁAD FILTRA GF125MF  | 1   |
| 4505  | 65321049  | ПРОКЛАДКА/GASTRAIN D125/90X3<br>CONTASI/GASTRAIN D125/90X3                         | GAXETA/GASTRAIN D125/90X3   | USZCZELKA/GASTRAIN D125/90X3  | 1   |
| 4510  | 65311494  | КОЛЛЕКТОР DN65-DN80 PN16<br>MANIFOLD DN65-DN80 PN16                                | COLETOR DN65-DN80 PN16  | KOLEKTOR KDN65-DN80 PN16  | 1   |
|   | 65311506  | КОЛЛЕКТОР DN65-DN65 PN16<br>MANIFOLD DN65-DN65 PN16                                | COLETOR DN65-DN65 PN16  | KOLEKTOR DN65-DN65 PN16   | 1   |
|   | 65311508  | КОЛЛЕКТОР DN65-DN100 PN16<br>MANIFOLD DN65-DN100 PN16                              | COLETOR DN65-DN100 PN16   | KOLEKTOR DN65-DN100 PN16  | 1   |
| 4520  | 65311601  | ПРЯМОЙ ШТУЦЕР P-EGES 12L/R 1/4WD<br>SAĞ RAKOR P-EGES 12L/R 1/4WD                   | CONEXÃO DIREITA P-EGES 12L/R 1/4WD  | ZŁĄCZE PRAWO P-EGES 12L/R 1/4WD   | 1   |
| 4530  | 65311344  | Т-ШТУЦЕР P-TV 12 L<br>T-RAKOR P-TV 12 L  | CONEXÃO EM T P-TV 12 L  | T-ZŁĄCZKA P-TV 12 L   | 1   |
| 4560  | 65311607  | КРЫШКА D15/10X21 VSD 12L/S O.M.MB<br>TAPA D15/10X21 VSD 12L/S O.M.MB               | TAMPA D15/10X21 VSD 12L/S O.M.MB  | NAKRĘTKA D15/10X21 VSD 12L/S O.M.MB   | 1   |
| 4580  | 65311844  | ГАЗОВЫЙ КЛАПАН MBC1900SEDN65 40-80MBAR<br>GAZ VANASI MBC1900SE DN65 40-80 MBAR     | VÁLVULA GÁS MBC1900SE DN65 40-80MBAR  | ZAWÓR GAZ. MBC1900SE DN65 40-80 MBAR  | 1   |

|      |          |   |  |  |  |
|------|----------|--|---|---|---|
|      | 65311845 | ГАЗОВЫЙ КЛАПАН MBC3100SE DN80 40-80MBAR<br>GAZ VANASI MBC3100SE DN80 40-80 MBAR    | VÁLVULA GÁS MBC3100 SE DN80 40-80 MBAR  | ZAWÓR GAZ. MBC3100SE DN80 40-80 MBAR  | 1   |
|      | 65311846 | ГАЗОВЫЙ КЛАПАН MBC5000SE DN100 40-80MB<br>GAZ VANASI MBC5000 SE DN100 40-80 MB     | VÁLVULA GÁS MBC5000 SE DN100 40-80 MBAR   | ZAWÓR GAZ.MBC5000SE DN100 40-80MBAR   | 1   |
| 4620 | 65311342 | ПРОКЛАДКА/ГАЗОВАЯ РАМПА D218/169X2 DN150<br>CONTASI/GAZ RAMPASI D218/169X2 DN150   | GAXETA/RAMPA DE GAS D218/169X2 DN150  | USZCZELKA/RAMPA GAZOWA D218/169X2 DN150   | 1   |
|      | 65311611 | ПРОКЛАДКА/ГАЗОВАЯ РАМПА D127/77X2 DN65<br>CONTASI/GAZ RAMPASI D127/77X2 DN65       | GAXETA/RAMPA DE GAS D127/77X2 DN65  | USZCZELKA/RAMPA GAZOWA D127/77X2 DN65   | 1   |
|      | 65311612 | ПРОКЛАДКА/ГАЗОВАЯ РАМПА D142/90X2 DN80<br>CONTASI/GAZ RAMPASI D142/90X2 DN80       | GAXETA/RAMPA DE GAS D142/90X2 DN80  | USZCZELKA/RAMPA GAZOWA D142/90X2 DN80   | 1   |
|      | 65311613 | ПРОКЛАДКА/ГАЗОВАЯ РАМПА D162/115X2 DN100<br>CONTASI/GAZ RAMPASI D162/115X2 DN100   | GAXETA/RAMPA DE GAS D162/115X2 DN100  | USZCZELKA/RAMPA GAZOWA D162/115X2 DN100   | 1   |
|      | 65311614 | ПРОКЛАДКА/ГАЗОВАЯ РАМПА D192/141X2 DN125<br>CONTASI/GAZ RAMPASI D192/141X2 DN125   | GAXETA/RAMPA DE GAS D192/141X2 DN125  | USZCZELKA/RAMPA GAZOWA D192/141X2 DN125   | 1   |
| 4640 | 13010091 | РЕЛЕ ДАВ. ВОЗДУХА GW 500 A5 30-500MB<br>GAZ BASINÇ ŞALT. GW 500 A5 100-500MB       | PRESSOSTATO GAS GW 500 A5 30-500MB  | CZUJNIK CIŚ. GAZU GW 500 A5 100-500MB   | 1   |
|      | 65311597 | РЕЛЕ ДАВ. ГАЗА GW 150 A6 10-150MB DIN<br>GAZ BASINÇ ŞALT. GW 150 A6 10-150MB DIN   | PRESSOSTATO GÁS GW 150 A6 10-150MB DIN  | CZUJNIK CIŚ. GAZU GW 150 A6 10-150MB DIN  | 1   |
| 4650 | 65311615 | РАЗЪЕМ GDMW 30-11 DF<br>PRIZ GDMW 30-11 DF   | TOMADA GDMW 30-11 DF  | GNIAZDO GDMW 30-11 DF   | 1   |
| 4800 | 65311460 | ГАЗОВЫЙ ФИЛЬТР GF65MF-2020-A-1 DN65 1BAR<br>GAZ FILTR. GF65MF-2020-A-1 DN65 1BAR   | FILTRO GÁS GF65MF-2020-A-1 DN65 1BAR  | FILTR GAZU GF65MF-2020-A-1 DN65 1BAR  | 1   |
|      | 65311461 | ГАЗОВЫЙ ФИЛЬТР GF80MF-2424-A-1 DN80 1BAR<br>GAZ FILTR. GF80MF-2424-A-1 DN80 1BAR   | FILTRO GÁS GF80MF-2424-A-1 DN80 1BAR  | FILTR GAZU GF80MF-2424-A-1 DN80 1BAR  | 1   |
|      | 65311462 | ГАЗОВЫЙ ФИЛЬТР GF100MF-3232-A-1 DN100 1B<br>GAZ FILTR. GF100MF-3232-A-1 DN100 1BAR | FILTRO GÁS GF100MF-3232-A-1 DN100 1BAR  | FILTR GAZU GF100MF-3232-A-1 DN100 1BAR  | 1   |
|      | 65311463 | ГАЗОВЫЙ ФИЛЬТР GF125MF-4040-A-1 DN125 1B<br>GAZ FILTR. GF125MF-4040-A-1 DN125 1BAR | FILTRO GÁS GF125MF-4040-A-1 DN125 1BAR  | FILTR GAZU GF125MF-4040-A-1 DN125 1BAR  | 1   |
|      | 65311892 | ГАЗОВЫЙ ФИЛЬТР GF150MF-4848-A-1 DN150 1B<br>GAZ FILTR. GF150MF-4848-A-1 DN150 1BAR | FILTRO GÁS GF150MF-4848-A-1 DN150 1BAR  | FILTR GAZU GF150MF-4848-A-1 DN150 1BAR  | 1   |
| 4801 | 65311623 | ФИЛЬТРУЮЩИЙ ЭЛЕМЕНТ GF150MF<br>FILTRE ELEMANI GF150MF                              | ELEMENTO FILTRANTE GF150MF  | WKŁAD FILTRA GF150MF  | 1   |
|      | 65311723 | ФИЛЬТРУЮЩИЙ ЭЛЕМЕНТ GF65MF<br>FILTRE ELEMANI GF65MF                                | ELEMENTO FILTRANTE GF65MF   | WKŁAD FILTRA GF65MF   | 1   |
|      | 65311888 | ФИЛЬТРУЮЩИЙ ЭЛЕМЕНТ GF80MF<br>FILTRE ELEMANI GF80MF                                | ELEMENTO FILTRANTE GF80MF   | WKŁAD FILTRA GF80MF   | 1   |
|      | 65311889 | ФИЛЬТРУЮЩИЙ ЭЛЕМЕНТ GF100MF<br>FILTRE ELEMANI GF100MF                              | ELEMENTO FILTRANTE GF100MF  | WKŁAD FILTRA GF100MF  | 1   |
|      | 65311890 | ФИЛЬТРУЮЩИЙ ЭЛЕМЕНТ GF125MF<br>FILTRE ELEMANI GF125MF                              | ELEMENTO FILTRANTE GF125MF  | WKŁAD FILTRA GF125MF  | 1   |
| 5002 | 65312447 | БЛОК УПРАВЛЕНИЯ BT340 ОСН.НАСТР-КИ<br>KUTU BT340 TEMEL AYARI                       | PROGRAMADOR BT340 CONFIGUR. BÁSICA  | MODUŁ BT340 USTAWIENIE PODSTAWOWE   | 1   |
| 5010 | 65311362 | ИСПЫТАТЕЛЬНАЯ ГОРЕЛКА С КНОПКОЙ PB2<br>BASMA DÜĞMESİ İLE BRÜLÖR TEST PB2           | QUEIMADOR DE ENSAIO COM B. PRESSÃO PB2  | PALNIK TEST Z PRZYCISKIEM PB2   | 1   |
| 5020 | 65311918 | МОДУЛЬ VSM100 (LSB-M 667R0200-1)<br>VSM100 MODÜLÜ (LSB-M 667R0200-1)               | MÓDULO VSM100 (LSB-M 667R0200-1)  | MODUL VSM100 (LSB-M 667R0200-1)   | 1   |
| 5042 | 65311940 | РЕЛЕ FIN 38.61.8.240.5060 KLL 1W FZ<br>RÖLE FIN 38.61.8.240.5060 KLL 1W FZ         | RELE FIN 38.61.8.240.5060 KLL 1W FZ   | PRZEKAŹNIK FIN 38.61.8.240.5060 KLL 1WFZ  | 1   |
| 5070 | 65311949 | ПРОХОДНАЯ КЛЕММА WAGO (СЕРАЯ) 2004-1301<br>DEVRE TERMINALI WAGO (GRI) 2004-1301    | BORNE DE PASAGEM WAGO (CINZA) 2004-1301   | ZACISK PRZELOTOWY WAGO (SZARY) 2004-1301  | 1   |
| 5071 | 65311950 | ПРОХОДНАЯ КЛЕММА WAGO (PE) 2004-1307<br>DEVRE TERMINALI WAGO (PE) 2004-1307        | BORNE DE PASAGEM WAGO (PE) 2004-1307  | ZACISK PRZELOTOWY WAGO (PE) 2004-1307   | 1   |
| 5080 | 65311793 | ВЫКЛЮЧ. ЭЛЕКТРОДВ. SCH D 3-4kW LC1D09P7<br>KONTAKTOER MOTOR SCH D 3-4kW LC1D09P7   | CONTACTOR MOTOR SCH D 3-4kW LC1D09P7  | STYCZNIK SILNIK SCH D 3-4kW LC1D09P7  | 1   |
| 5085 | 65311945 | РАЗЪЕДИНИТ. ЭЛЕКТРОДВИГА. 0,75kW GV2ME07<br>DEVRE KESİCİ MOTOR 0,75kW GV2ME07      | DISJUNTOR MOTOR 0,75kW GV2ME07  | WYŁĄCZNIKI SILNIK 0,75kW GV2ME07  | 1   |
|      | 65311946 | РАЗЪЕДИНИТ. ЭЛЕКТРОДВИГА. 1,1-1,5kW GV2<br>DEVRE KESİCİ MOTOR 1,1-1,5kW GV2ME08    | DISJUNTOR MOTOR 1,1-1,5kW GV2ME08   | WYŁĄCZNIKI SILNIK 1,1-1,5kW GV2ME08   | 1   |
| 5086 | 65311795 | ВСПОМОГАТЕЛЬНЫЙ ПЕРЕКЛЮЧАТЕЛЬ GVAE11<br>YARDIMCI ANAHTARI GVAE11                   | INTERRUPTOR AUXILIAR GVAE11   | PRZEŁĄCZNIK POMOCNICZY GVAE11   | 1   |
| 5087 | 65311776 | РАЗЪЕДИНИТ. ЭЛЕКТРОДВИГА. 7,5 kW GV2ME20<br>DEVRE KESİCİ MOTOR 7,5 kW GV2ME20      | DISJUNTOR MOTOR 7,5 kW GV2ME20  | WYŁĄCZNIKI SILNIK 7,5 kW GV2ME20  | 1   |
|      | 65311794 | РАЗЪЕДИНИТ. ЭЛЕКТРОДВИГА. 3-4kW GV2ME14<br>DEVRE KESİCİ MOTOR 3-4kW GV2ME14        | DISJUNTOR MOTOR 3-4kW GV2ME14   | WYŁĄCZNIKI SILNIK 3-4kW GV2ME14   | 1   |
|      | 65312033 | РАЗЪЕДИНИТ. ЭЛЕКТРОДВИГА. 5,5kW GV2ME16<br>DEVRE KESİCİ MOTOR 5,5kW GV2ME16        | DISJUNTOR MOTOR 5,5kW GV2ME16   | WYŁĄCZNIKI SILNIK 5,5kW GV2ME16   | 1   |
| 5090 | 65311951 | ПРИВОДЫ ACS310 3KW<br>SÜRÜCÜLER ACS310 3KW   | CONVERSOR FREQ. ACS310 3KW  | PRZETWORNICZKA ACS310 3KW   | 1   |
|      | 65311952 | ПРИВОДЫ ACS310 4KW<br>SÜRÜCÜLER ACS310 4KW   | CONVERSOR FREQ. ACS310 4KW  | PRZETWORNICZKA ACS310 4KW   | 1   |
|      | 65311953 | ПРИВОДЫ ACS310 7,5KW<br>SÜRÜCÜLER ACS310 7,5KW                                     | CONVERSOR FREQ. ACS310 7,5KW  | PRZETWORNICZKA ACS310 7,5KW   | 1   |

| ☞    | XXXXXXXX   | RU   | PT                                       | PL                                       | X |
|------|------------|--|--|--|---|
|      |            | TR   |  |  |   |
| 5091 | 65311954   | ВЕНТИЛЯТОР ОХЛАЖД./ПРИВОДА ACS310 3-4KW<br>SOĞUTUCU FAN/SÜRÜCÜLER ACS310 3-4KW       | VENTOINHA/CONVERSOR FREQ. ACS310 3-4KW   | WENTYLAT.CHŁODZA./PRZETWOR. ACS310 3-4KW | 1 |
|      | 65312804   | ВЕНТИЛЯ.ОХЛАЖД./ПРИВОДА ACS310 5,5-7,5KW<br>SOĞUTUCU FAN/SÜRÜCÜLER ACS310 5,5-7,5KW  | VENTOINHA/CONVERS.FREQ. ACS310 5,5-7,5KW | WENTYL.CHŁODZ./PRZETWO. ACS310 5,5-7,5KW | 1 |
| 5092 | 65311955   | ВЕНТИЛЯ.ФИЛЬ.ІР54 125X125 ELDON EFA200R5<br>HAVALAN.FILT.İP54 125X125 ELDON EFA200R5 | FILTR.VENTIL.İP54 125X125 ELDON EFA200R5 | FILTR WENTYL.İP54 125X125 ELDON EFA200R5 | 1 |
| 5110 | 65311439   | КЛЕММНАЯ КОЛОДКА WAGO STRG.N6-9GL-E/F3TB<br>TERMINAL BLOĞU WAGO STRG.N6-9 GL-E/F3 TB | BLOCO TERMINAL WAGO STRG.N6-9 GL-E/F3 TB | LISTWA ZACISKOWA WAGO STRG.N6-9GL-E/F3TB | 1 |
| 5111 | 65311440   | ПОДДЕРЖКА РАЗЪЕМА 3-6 ММ<br>KONEKTÖR DESTEĐİ 3-6 MM                                  | SUPORE DE CONECTOR 3-6 MM                | UCHWYT ZŁĄCZA 3-6 MM                     | 1 |
| 5112 | 65311441   | ПРОХОДНАЯ КЛЕММА WAGO ОРАНЖЕ. 2001-1202<br>DEVRE TERMINALI WAGO (TURUNCU)2001-1202   | BORNE DE PASAGEM WAGO LARANJA 2001-1202  | ZACISK PRZELOTOWY WAGO POMARA 2001-1202  | 1 |
| 5113 | 65311442   | ПОДДЕРЖКА РАЗЪЕМА 6-8 ММ<br>KONEKTÖR DESTEĐİ 6-8 MM                                  | SUPORE DE CONECTOR 6-8 MM                | UCHWYT ZŁĄCZA 6-8 MM                     | 1 |
| 5114 | 65311443   | ПРОХОДНАЯ КЛЕММА WAGO (СЕРАЯ) 2001-1201<br>DEVRE TERMINALI WAGO (GRI) 2001-1201      | BORNE DE PASAGEM WAGO (CINZA) 2001-1201  | ZACISK PRZELOTOWY WAGO (SZARY) 2001-1201 | 1 |
| 5115 | 65311444   | ПРОХОДНАЯ КЛЕММА WAGO (PE) 2001-1207<br>DEVRE TERMINALI WAGO (PE) 2001-1207          | BORNE DE PASAGEM WAGO (PE) 2001-1207     | ZACISK PRZELOTOWY WAGO (PE) 2001-1207    | 1 |
| 5116 | 65311445   | ПРОХОДНАЯ КЛЕММА WAGO (PE) 2001-1407<br>DEVRE TERMINALI WAGO (PE) 2001-1407          | BORNE DE PASAGEM WAGO (PE) 2001-1407     | ZACISK PRZELOTOWY WAGO (PE) 2001-1407    | 1 |
| 5117 | 65311446   | ИНСТРУМЕНТЫ WAG 2009-309<br>İŞLETİM ARAC WAG 2009-309                                | FERRAMENTA WAG 2009-309                  | NARZĘD. D.PRZEŁĄCZANIA WAG 2009-309      | 1 |
| 5118 | 65311447   | ПРОХОДНАЯ КЛЕММА WAGO (N) 2001-1404<br>DEVRE TERMINALI WAGO (N) 2001-1404            | BORNE DE PASAGEM WAGO (NEUTRO) 2001-1404 | ZACISK PRZELOTOWY WAGO (N) 2001-1404     | 1 |
| 5119 | 65311448   | ПРОХОДНАЯ КЛЕММА WAGO (N) 2001-1204<br>DEVRE TERMINALI WAGO (N) 2001-1204            | BORNE DE PASAGEM WAGO (NEUTRO) 2001-1204 | ZACISK PRZELOTOWY WAGO (N) 2001-1204     | 1 |
| 5120 | 65311449   | ПРОХОДНАЯ КЛЕММА WAGO (СЕРАЯ) 2001-1401<br>DEVRE TERMINALI WAGO (GRI) 2001-1401      | BORNE DE PASAGEM WAGO (CINZA) 2001-1401  | ZACISK PRZELOTOWY WAGO (SZARY) 2001-1401 | 1 |
| 5121 | 65311450   | ТЕСТОВАЯ НАГРУЗКА ETAMATIC 663R1199<br>TEST YÜKÜ ETAMATIC 663R1199                   | CARGA DE TESTE ETAMATIC 663R1199         | OBCIĄŻENIE TESTOWE ETAMATIC 663R1199     | 1 |
| 5122 | 65311451   | САЛБНИК M16<br>KABLO RAKORU M16  | PRENSAESTOPAS M16                        | DLAWNICA M16                             | 1 |
|      | 65311758   | САЛБНИК M20<br>KABLO RAKORU M20  | PRENSAESTOPAS M20                        | DLAWNICA M20                             | 1 |
|      | 65311759   | САЛБНИК M25<br>KABLO RAKORU M25  | PRENSAESTOPAS M25                        | DLAWNICA M25                             | 1 |
| 5123 | 65311786   | CLIC TOOL M16<br>CLIC TOOL M16   | CLIC TOOL M16                            | CLIC TOOL M16                            | 1 |
|      | 65311787   | CLIC TOOL M20<br>CLIC TOOL M20   | CLIC TOOL M20                            | CLIC TOOL M20                            | 1 |
|      | 65311788   | CLIC TOOL M25<br>CLIC TOOL M25   | CLIC TOOL M25                            | CLIC TOOL M25                            | 1 |
| 5150 | 1758811789 | ИСТОЧНИК ПИТАНИЯ ML30.100-24V DC<br>GÜÇ KAYNAĐI ML30.100-24V DC                      | FONTE DE ENERGIA ML30.100-24V DC         | ZASILACZ ML30.100-24V DC                 | 1 |
| 5200 | 65311948   | ПУСКАТЕЛЬ ДВИГАТЕЛЯ Y/D 7,5KW LC3D090AP7<br>MARŞ MOTORU Y/D 7,5 KW LC3D090AP7        | ARRANCADOR MOTOR Y/D 7,5 KW LC3D090AP7   | ROZRUSZ. SILNIKA Y/D 7,5 KW LC3D090AP7   | 1 |
| 5210 | 65311793   | ВЫКЛЮЧ. ЭЛЕКТРОДВ. SCH D 3-4kW LC1D09P7<br>KONTAKTOER MOTOR SCH D 3-4kW LC1D09P7     | CONTACTOR MOTOR SCH D 3-4kW LC1D09P7     | STYCZNIK SILNIK SCH D 3-4kW LC1D09P7     | 1 |
| 5300 | 65114033   | РЕГУЛИРОВАНИЕ RWF 55.50A9<br>REGÜLATÖRÜ RWF 55.50A9                                  | REGULADOR RWF 55.50A9                    | REGULATORA RWF 55.50A9                   | 1 |
| 5400 | 65311827   | СОЕДИНИТ. ДЕТАЛЬ ДЛЯ ОХЛАЖД.ПРИВОДЫ L318<br>HİZ SÜRÜCÜSÜ İÇİN SOĞUTMA BORUSU L318    | TUBO DE REFRIGERAÇÃO DO VARIADOR L318    | RURKA CHŁODZENIA DLA PRZETWORNICA L318   | 1 |
|      | 65311828   | СОЕДИНИТ. ДЕТАЛЬ ДЛЯ ОХЛАЖД.ПРИВОДЫ L468<br>HİZ SÜRÜCÜSÜ İÇİN SOĞUTMA BORUSU L468    | TUBO DE REFRIGERAÇÃO DO VARIADOR L468    | RURKA CHŁODZENIA DLA PRZETWORNICA L468   | 1 |
|      |            |  |  |  |   |
|      |            |  |  |  |   |
|      |            |  |  |  |   |
|      |            |  |  |  |   |
|      |            |  |  |  |   |
|      |            |  |  |  |   |
|      |            |  |  |  |   |
|      |            |  |  |  |   |
|      |            |  |  |  |   |

<https://partsburners.com>  
8 (800) 600-01-34