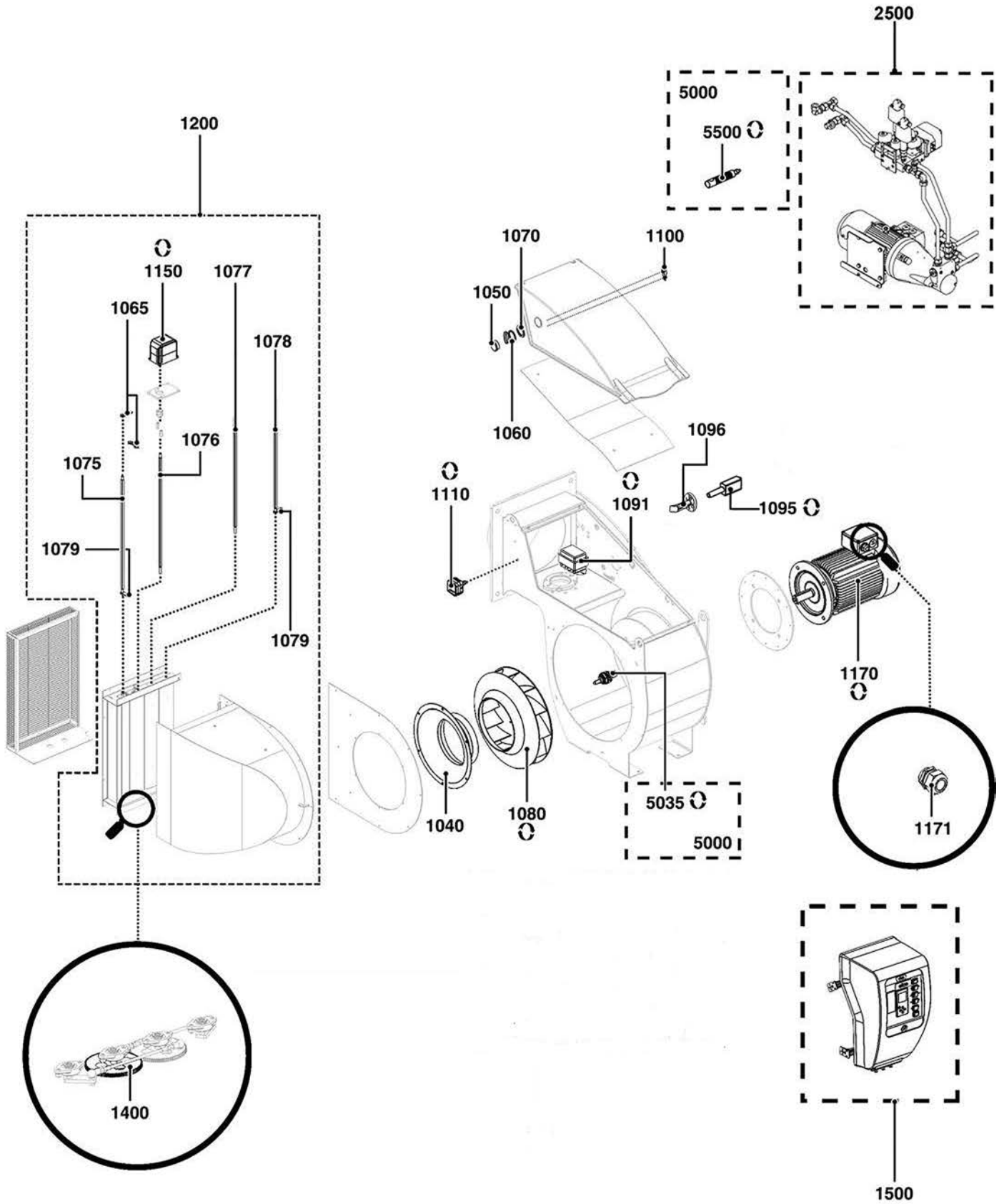


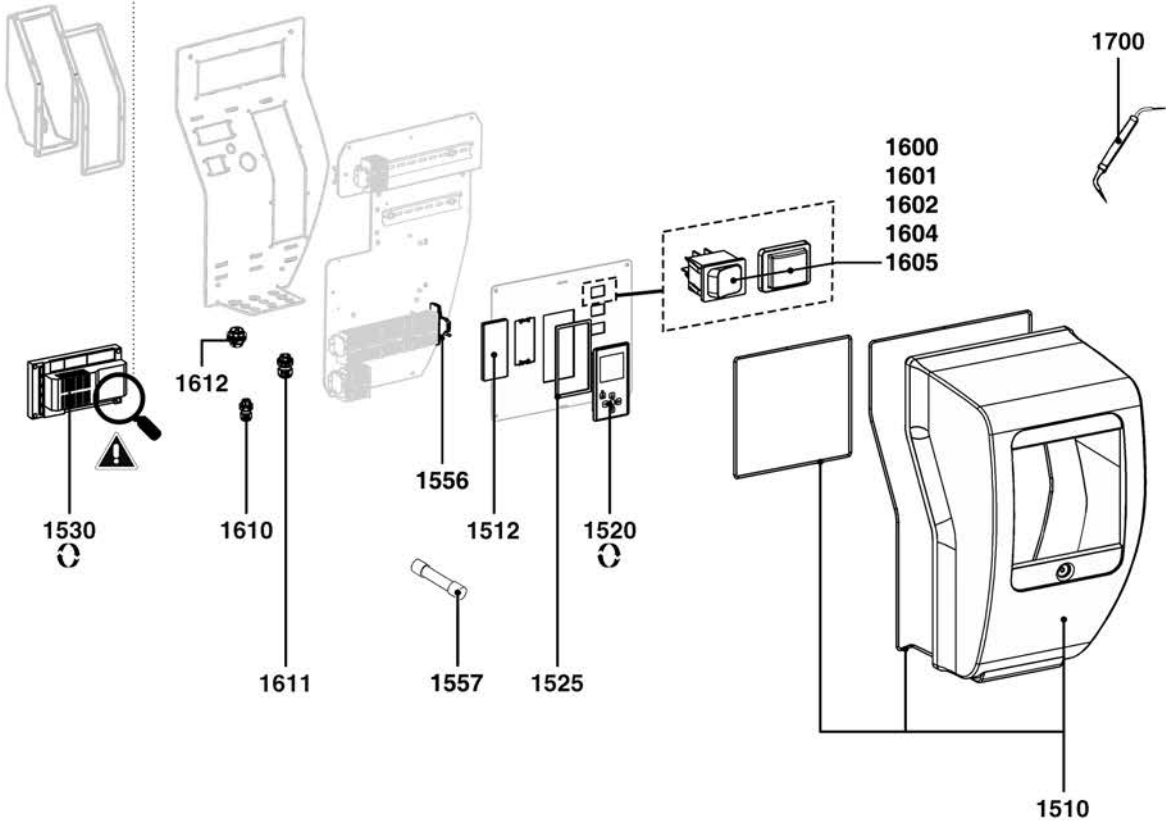
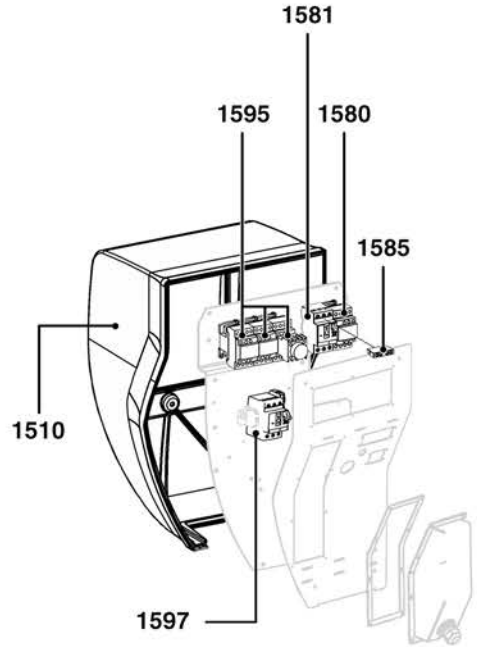
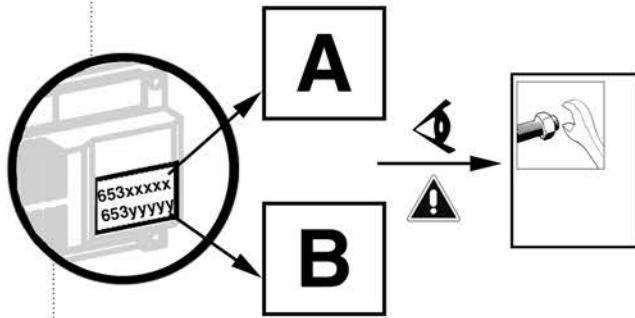
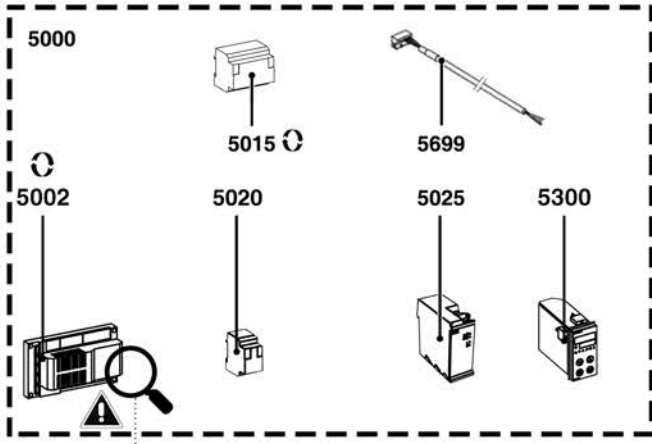
## SPARE PARTS EXPLODED VIEW OIL BURNER Model **CB-EKEVO8/9 L-E**

R8220298-01 - 30/01/2020

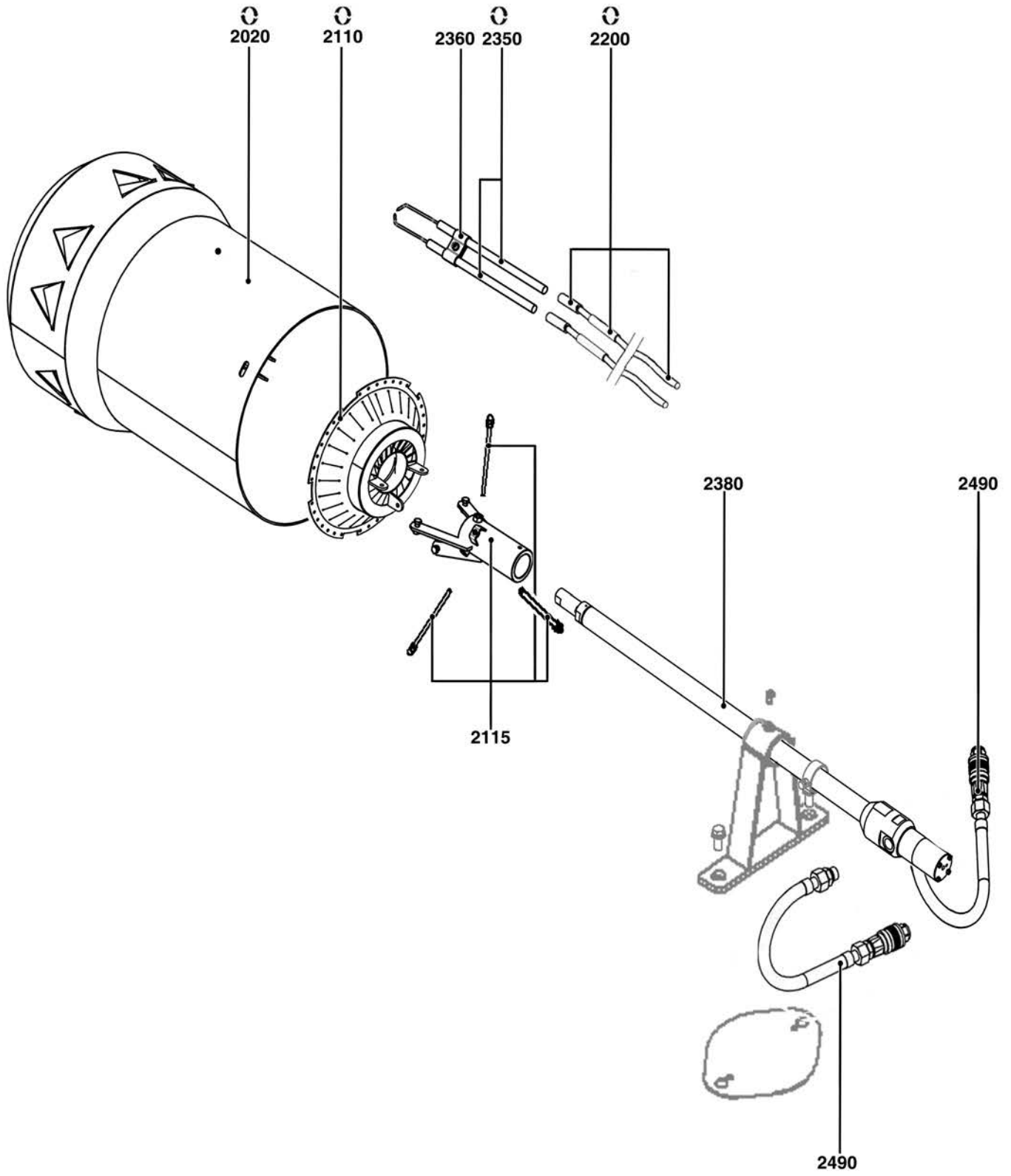
1	3756764	EKEVO 8.5800 L-E/BT3/KN	03-2019	-
1	3756763	EKEVO 8.5800 L-E/BT3/KM	03-2019	-
1	3756762	EKEVO 8.5800 L-E/BT3/KL	03-2019	-
2	3756767	EKEVO 8.7100 L-E/BT3/KN	03-2019	-
2	3756766	EKEVO 8.7100 L-E/BT3/KM	03-2019	-
2	3756765	EKEVO 8.7100 L-E/BT3/KL	03-2019	-
3	3756770	EKEVO 9.8700 L-E/BT3/KN	03-2019	-
3	3756769	EKEVO 9.8700 L-E/BT3/KM	03-2019	-
3	3756768	EKEVO 9.8700 L-E/BT3/KL	03-2019	-
4	3756773	EKEVO 9.10400 L-E/BT3/KN	03-2019	-
4	3756772	EKEVO 9.10400 L-E/BT3/KM	03-2019	-
4	3756771	EKEVO 9.10400 L-E/BT3/KL	03-2019	-
Col	Reference	Model type	Begin	End





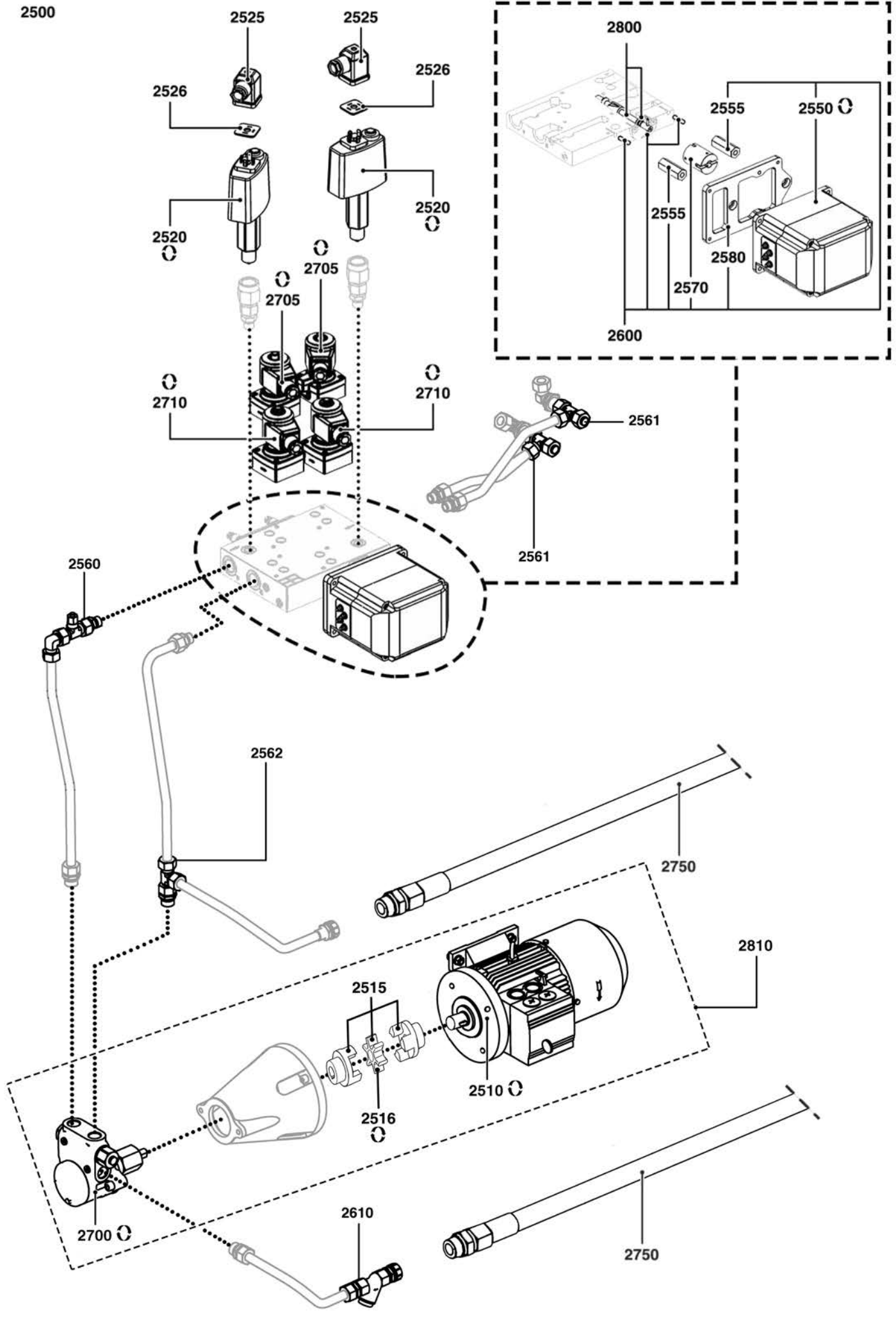






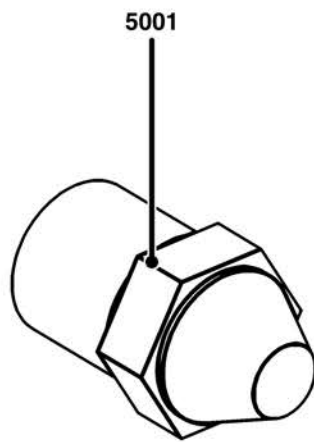
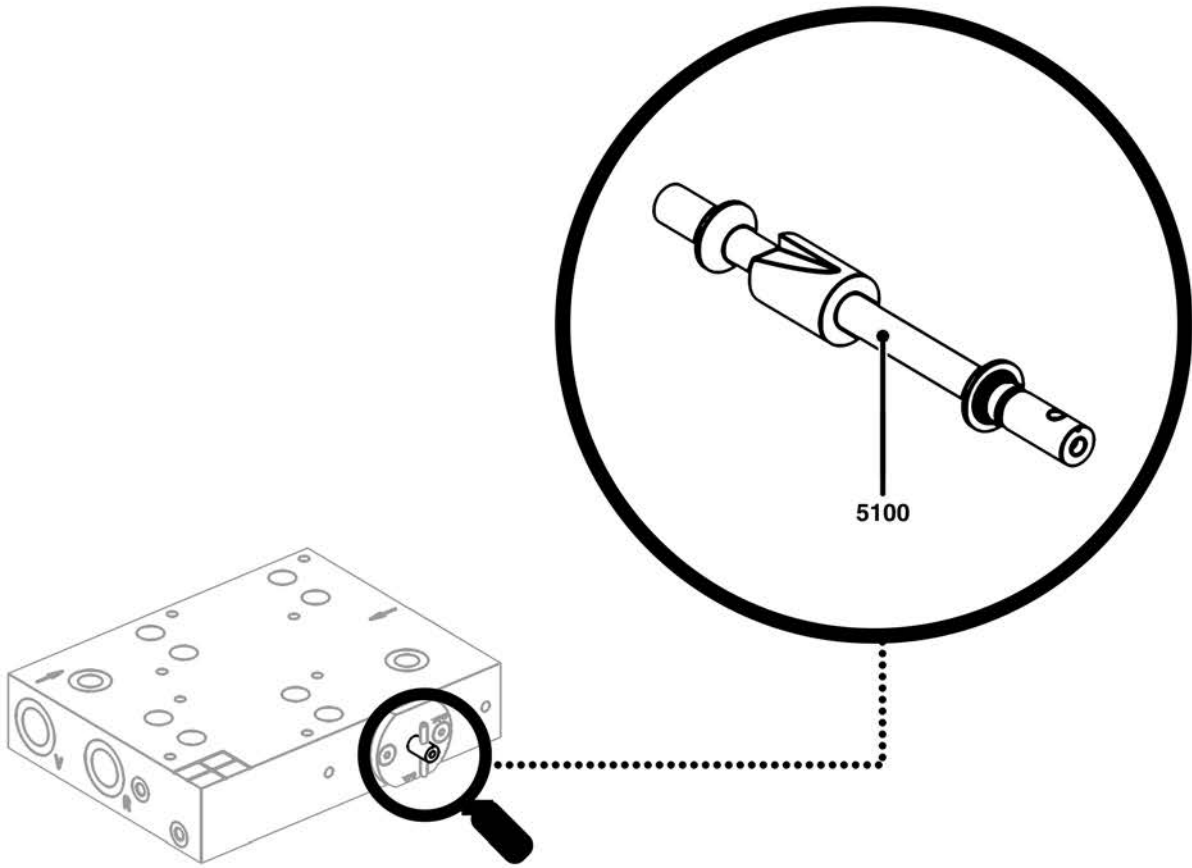


2500





☉➔	Description	Manf. Pt. N	Type	<table border="1" style="width: 100%; border-collapse: collapse;"> <tr> <td style="border: none;">EKEVO 8-5800 L-ELVBT3</td> <td style="border: none;">EKEVO 8-1100 L-ELVBT3</td> <td style="border: none;">EKEVO 9-8700 L-ELVBT3</td> <td style="border: none;">EKEVO 9-10400 L-ELVBT3</td> <td colspan="14" style="border: none;"></td> <td style="border: none; text-align: center;">31</td> </tr> <tr> <td style="border: none; text-align: center;">1</td> <td style="border: none; text-align: center;">2</td> <td style="border: none; text-align: center;">3</td> <td style="border: none; text-align: center;">4</td> <td style="border: none; text-align: center;">5</td> <td style="border: none; text-align: center;">6</td> <td style="border: none; text-align: center;">7</td> <td style="border: none; text-align: center;">8</td> <td style="border: none; text-align: center;">9</td> <td style="border: none; text-align: center;">10</td> <td style="border: none; text-align: center;">11</td> <td style="border: none; text-align: center;">12</td> <td style="border: none; text-align: center;">13</td> <td style="border: none; text-align: center;">14</td> <td style="border: none; text-align: center;">15</td> <td style="border: none; text-align: center;">16</td> <td style="border: none; text-align: center;">17</td> <td style="border: none; text-align: center;">18</td> <td style="border: none; text-align: center;">From</td> <td style="border: none; text-align: center;">to</td> </tr> </table>																		EKEVO 8-5800 L-ELVBT3	EKEVO 8-1100 L-ELVBT3	EKEVO 9-8700 L-ELVBT3	EKEVO 9-10400 L-ELVBT3															31	1	2	3	4	5	6	7	8	9	10	11	12	13	14	15	16	17	18	From	to
				EKEVO 8-5800 L-ELVBT3	EKEVO 8-1100 L-ELVBT3	EKEVO 9-8700 L-ELVBT3	EKEVO 9-10400 L-ELVBT3															31																																						
1	2	3	4	5	6	7	8	9	10	11	12	13	14	15	16	17	18	From	to																																									
<b>2500</b>	<b>HYDRAULICS</b>																																																											
2510	MOTOR 3KW 230/400V D28 1400 TR/MN GMP	65311407		•	•	•																																																						
	MOTOR 4KW400/690V D28 1400TR/MN GMP IE3	65312104					•																																																					
2515	COUPLING D24/28 PW DM18/MW	1238795399		•	•	•																																																						
	COUPLING D28/38 PW DM22/MW	1238795402					•																																																					
2516	COUPLING D24/28 GMP	1238795424		•	•	•																																																						
	COUPLING D28/38	1238795435					•																																																					
2520	OIL PRESS.SWITCH DSB 158 F931 0-25BAR	65312206		•	•	•	•																																																					
2525	CONNECTOR HIRSCH GDMW3011 WITH SKIRT	65311615		•	•	•	•																																																					
2526	GASKET GDM 3-21	65311616		•	•	•	•																																																					
2550	ACTUATOR STE 4,5 Q3.51/6+CABLE L3000	65311650		•	•	•	•																																																					
2555	SPACER HEX15X42 M6-M8	65311831		•	•	•	•																																																					
2560	T-UNION P-TV18/18/10L	65312938		•	•	•	•																																																					
2561	ADJUSTABLE MALE T-CONNECTOR P-ELV18L-SV	65313847		•	•	•	•																																																					
2562	ADJUSTABLE MALE T-CONNECTOR P-ELV18L-SV	65313847		•	•	•	•																																																					
2570	COUPLING D10/D8X38-90	65312935		•	•	•	•																																																					
2580	PLATE ACTUATOR STE	65311412		•	•	•	•																																																					
2600	ACTUATOR GR.HYD-BLOCK N8/9&EKEVO8/9E BT	65312284		•	•	•	•																																																					
2610	FILTER-SIEVE G1 L90 TYP 112.00 PN16	65311414					•																																																					
	OIL FILTER RP3/4 PN16	65311578		•	•	•																																																						
2700	OIL PUMP VBHGRP-I-4-10-So2200L/H	65312105					•																																																					
	OIL PUMP VBHRG I 410 SO 1700L/H	65311410		•	•	•																																																						
2705	SOLEN. VALVE LUC 321F2523 P8 PG11 19W	13022666		•	•	•	•																																																					
2710	SOLEN. VALVE LUC 121F2523 P8 PG11 19W	13022667		•	•	•	•																																																					
2750	OIL HOSE DN20 M30-M30 L1500	13019342		•	•	•																																																						
	OIL HOSE DN25 M38-M38 L1500	1488436955					•																																																					
2800	CONTROL SHAFT 7.0 LEFT HAND.	65312304		•																																																								
	CONTROL SHAFT 7.0 LEFT HAND. GR.2	65312292					•																																																					
	CONTROL SHAFT 8.0 LEFT HAND.	65312305					•																																																					
	CONTROL SHAFT 8.0 LEFT HAND. GR.2	65312285					•																																																					
2810	PUMP INSTALL. SMG1630-I-4-SO-IE3 30BAR	65311406		•	•	•																																																						
	PUMP INSTALL. SMG1631-I-4-SO-IE3 30BAR	65312103					•																																																					







		DE NL	FR ES	IT	X
1040	65311665	ANSAUGTRICHTER D332 X 127,5 LUCHTINLAAT D332x127,5	RECYCLAGE AIR D332X127,5 ENTRADA DE AIRE D332x127,5	CONVOGLIATORE D332x127,5	1
	65311672	ANSAUGTRICHTER D318 X 134 LUCHTINLAAT D318x134	RECYCLAGE AIR D318X134 ENTRADA DE AIRE D318x134	CONVOGLIATORE D318x134	1
	65311673	ANSAUGTRICHTER D288 X 127 LUCHTINLAAT D288x127	RECYCLAGE AIR D288X127 ENTRADA DE AIRE D288x127	CONVOGLIATORE D288x127	1
	65311715	ANSAUGTRICHTER D344X126 LUCHTINLAAT D344x126	RECYCLAGE AIR D344X126 ENTRADA DE AIRE D344x126	CONVOGLIATORE D344x126	1
1050	1180603227	SCHAUGLASS 55X21 KIJKGLASS 55X21	VOYANT DE FLAMME 55X21 VISORE DE LLAMA 55X21	VISORE DI FIAMMA 55X21	1
1060	1188052260	DECKEL D61/55/SCHAUGLASS DEKSEL D61/55/KIJKGLASS	COUVERCLE D61/55/VOYANT DE FLAMME TAPA D61/55/VISOR	COPERCHIO D61/55/VISORE	1
1065	65312849	VERSTELLANZEIGE MIT SKALA EKEVO 8/9 AFSTEL-INDICATOR MET SCHAAL EKEVO 8/9	INDICATEUR DE POSITION GRADUE EKEVO 8/9 INDICADOR AJUST. CON ESCALA EKEVO 8/9	INDICATORE REGOLAZ. CON SCALA EKEVO 8/9	1
1070	1180559591	MUTTER M48X1,5 MOER M48X1,5	ECROU M48X1,5 TUERCA M48X1,5	DADO M48X1,5	1
1075	65313875	WELLE / LUFTKLAPPE/ZEIGER D12X681 M8-M6 AS / LUCHTKLEP/WIJZER D12X681 M8-M6	AXE / VOLET AIR/INDEX D12X681 M8-M6 EJE / VALV.AIRE/PUNZON D12X681 M8-M6	PERNO / SERR.ARIA/INDICE D12X681 M8-M6	1
1076	65313877	WELLE / STELLANTRIEB/ZAHNRAD D12X681 AS / REGELMOTOR/TANDWIEL D12X681	AXE / SERVOMOTEUR/ENGRENAGE D12X681 EJE / SERVOMOTOR/ENGRANAJE D12X681	PERNO / SERVOMOTORE/INGRANAGGIO D12X681	1
1077	65313876	WELLE / LUFTKLAPPE/ZAHNRAD D12X696 AS / LUCHTKLEP/TANDWIEL D12X696	AXE / VOLET AIR/ENGRENAGE D12X696 EJE / VALV.AIRE/ENGRANAJE D12X696	PERNO / SERR.ARIA/INGRANAGGIO D12X696	1
1078	65313874	WELLE / LUFTKLAPPE/HEBEL D12X670 M8 AS / LUCHTKLEP/HEFBOOM D12X670 M8	AXE / VOLET AIR/LEVIER D12X670 M8 EJE / VALV.AIRE/PALANCA D12X670 M8	PERNO / SERR.ARIA/LEVA D12X670 M8	1
1079	65313873	HEBEL / LUFTKLAPPEWELLE 54X20 D10-D6 HEFBOOM / LUCHTKLEP AS 54X20 D10-D6	LEVIER / AXE VOLET 54X20 D10-D6 PALANCA / EJE VALV.AIRE 54X20 D10-D6	LEVA / PERNO SERRANDA 54X20 D10-D6	1
1080	65311670	VENTILATORRAD D556/320X86 D42 VENTILATORWIEL D556/320X86 D42	TURBINE D556/320X86 D42 TURBINA D556/320X86 D42	VENTOLA D556/320X86 D42	1
	65311716	VENTILATORRAD D533/290X83 D42 VENTILATORWIEL D533/290X83 D42	TURBINE D533/290X83 D42 TURBINA D533/290X83 D42	VENTOLA D533/290X83 D42	1
	65311717	VENTILATORRAD D590/334X92 D42 VENTILATORWIEL D590/334X92 D42	TURBINE D590/334X92 D42 TURBINA D590/334X92 D42	VENTOLA D590/334X92 D42	1
	65311718	VENTILATORRAD D600/346X93 D48 VENTILATORWIEL D600/346X93 D48	TURBINE D600/346X93 D48 TURBINA D600/346X93 D48	VENTOLA D600/346X93 D48	1
1091	1738733651	ZUENDTRAFO ZA 20 140 E21 2005.0450.073 ONTSTEKINGSTRAFO ZA20 140E21 REP.ZM20/14	ALLUMEUR ZA 20 140 E21 REMPLACE ZM20/14 ENCENDEDOR ZA 20 140 E21 REP.ZM20/14	TRASFO. ACC. ZA 20 140 E21 SOS.ZM20/14	1
1095	65313891	FOTOZELLE KLC J8-508-3 FOTOCEL KLC J8-508-3	CELLULE KLC J8-508-3 CELULA KLC J8-508-3	FOTOCELLULA KLC J8-508-3	1
1096	65327620	FOTOZELLE HALTER KLC STEUN FOTOCEL KLC	SUPPORT CELLULE KLC SOPORTE CELULA KLC	SUPPORTO FOTOCCELLULA KLC	1
1100	65311472	SICHTSPIEGEL FÜR SCHAUGLAS SPIEGEL/KIJKGLAS	MIROIR/REGARD ESPEJO/MIRILLA	SPECCHIO/SPIONCINO	1
1110	65311595	DRUCKWAECHTER LGW 50 A2P 2,5-50MBAR DRUKSCHAKELAAR LGW 50 A2P 2,5-50MBAR	MANOSTAT AIR LGW 50 A2P 2,5-50MB PRESOSTATO AIRE LGW 50 A2P 2,5-50MB	PRESSOSTATO ARIA LGW 50 A2P 2,5-50MB	1
1150	65311650	STELLANTRIEB STE 4,5 Q3.51/6+KABEL L3000 SERVOMOTOR STE 4,5 Q3.51/6+KABEL L3000	SERVOMOTEUR STE 4,5 Q3.51/6+CABLE L3000 SERVOMOTOR STE 4,5 Q3.51/6+CABLE L3000	SERVOMOTORE STE 4,5 Q3.51/6+CAVO L3000	1
1170	65326333	MOTOR 11KW 400/690V D42 IE3 ELV SCHWARZ MOTOR 11KW 400/690V D42 IE3 ELV ZWART	MOTEUR 11KW 400/690V D42 IE3 ELV NOIR MOTOR 11KW 400/690V D42 IE3 ELV NEGRO	MOTORE 11KW 400/690V D42 IE3 ELV NERO	1
	65326334	MOTOR 15KW 400/690V D42 IE3 ELV SCHWARZ MOTOR 15KW 400/690V D42 IE3 ELV ZWART	MOTEUR 15KW 400/690V D42 IE3 ELV NOIR MOTOR 15KW 400/690V D42 IE3 ELV NEGRO	MOTORE 15KW 400/690V D42 IE3 ELV NERO	1
	65326335	MOTOR 18,5KW 400/690V D42 IE3 ELV SCHWZ MOTOR 18,5KW 400/690V D42 IE3 ELV ZWART	MOTEUR 18,5KW 400/690V D42 IE3 ELV NOIR MOTOR 18,5KW 400/690V D42 IE3 ELV NEGRO	MOTORE 18,5KW 400/690V D42 IE3 ELV NERO	1
	65326336	MOTOR 22KW 400/690V D48 IE3 ELV SCHWARZ MOTOR 22KW 400/690V D48 IE3 ELV ZWART	MOTEUR 22KW 400/690V D48 IE3 ELV NOIR MOTOR 22KW 400/690V D48 IE3 ELV NEGRO	MOTORE 22KW 400/690V D48 IE3 ELV NERO	1
1171	65311933	KABELVERSCHRAUBUNG M.RE.D. M32X1,5 SW PAKKINGBUS M32X1,5	PRESSE-ETOUPE M32X1,5 PRENSAESTOPAS M32X1,5	PREMISTOPPA M32X1,5	1
1200	65312856	LUFTKASTEN 700X765X441+STELLANTRIEB BG. LUCHTKAST 700X765X441+REGELMOTOR BG.	BOITE A AIR 700X765X441+SERVOMOTEUR CPL. CAJA DE AIRE 700X765X441+SERVOMOTOR CPL.	CASSA ASPIR.ARIA 700X765X441+SERVO. CPL.	1
1400	65312848	ZAHNRAD Z=100 M=1 BO=12MM EKEVO8/9 TANDWIEL Z=100 M=1 BO=12MM EKEVO8/9	ROUE DENTEE Z=100 M=1 BO=12MM EKEVO8/9 RUEDA DENTADA Z=100 M=1 BO=12MM EKEVO8/9	RUOTA DENTATA Z=100 M=1 BO=12MM EKEVO8/9	1
1510	65312340	DECKEL 374X621X331/SCHALTSCHRANK EKEVO DEKSEL 374X621X331/ELEKTRIS.KAST EKEVO	COUVERCLE 374X621X331/ARMOIRE ELEC.EKEVO TAPA 374X621X331/ARMARIO ELECTRICO EKEVO	COPERCHIO 374X621X331/QUADRO ELETT.EKEVO	1
1512	65312338	BLINDDECKEL/REGLER 92X45 IP54 AFSLUITER/REGELAAR 92X45 IP54	OBTURATEUR REGULATEUR 92X45 IP54 CONJUNTO/REGULADOR 92X45 IP54	OTTURATORE/REGOLATORE 92X45 IP54	1
1520	65326869	ANZEIGE FÜR FEUERUNGSAUTOMAT BT3XX DISPLAY VOOR BRANDERAUTOMAAT BT3XX	AFFICHEUR POUR COFFRET BT3XX PANTALLA PARA PROGRAMADOR BT3XX	DISPLAY PER APPARECCHIATURA BT3XX	1
1525	65311364	DICHTUNG/ANZEIGE 152/140X80/70X2 PAKKING/DISPLAY 152/140X80/70X2	JOINT/AFFICHEUR 152/140X80/70X2 JUNTA/PANTALLA 152/140X80/70X2	GUARNIZIONE/DISPLAY 152/140X80/70X2	1
1530	65312445	FEUERUNGSAUT. BT320 BASISEINSTELL. BRANDERAUT. BT320 BASIS AFSTELLING	COFFRET BT320 REGLAGE DE BASE PROGRAMADOR BT320 CONFIGUR. BÁSICA	APPARECCH. BT320 REGOL. BASE	1
1556	65313849	SICHERUNGSHALTER+ SICHERUNG 6,3A(KERAM.) ZEKERINGHOUDER+ZEKERING 6,3A (CERAMIC)	PORTE FUSIBLE+FUSIBLE 6.3A (CERAMIQUE) PORTA FUSIBLE+FUSIBLE 6.3A (CERAMIC)	PORTAFUSIBILE + FUSIBILE 6.3A (CERAMIC)	1


		DE	FR	IT	X
		NL	ES		
1557	65313850	FEINSICHERUNG 5X20 6,3A 250V CERAMIC ZEKERING 5X20 6,3A 250V CERAMIC	FUSIBLE 5X20 6,3A 250V CERAMIC FUSIBLE 5X20 6,3A 250V CERAMIC	FUSIBILE 5X20 6,3A 250V CERAMIC	1
1580	65311793	SCHALTSCHUETZE SCH LC1-D09P7 3-4KW CONTACTOR SCH LC1-D09P7 3-4KW	CONTACTEUR SCH LC1-D09P7 3-4KW CONTACTOR SCH LC1-D09P7 3-4KW	CONTATTORE SCH LC1-D09P7 3-4KW	1
1581	65311794	MOTORSCHUTZSCHALTER SCH 3-4KW GV2ME14 VERMOGENSCHAKEL. MOTOR SCH 3-4KW GV2ME14	DISJONCTEUR MOTEUR SCH 3-4 KW GV2ME14 DISYUNTOR MOTOR SCH 3-4KW GV2ME14	DISJIUNTORE MOTORE SCH 3-4KW GV2ME14	1
1585	65311795	HILFSKONTAKT SCH GVA E11 HULPSCHAKELAAR SCH GVA E11	CONTACT AUXILLIAIRE SCH GVA E11 INTERRUPTOR AUXILIAR SCH GVA E11	CONTATTO AUSILIARIO SCH GVA E11	1
1595	65311796	MOTORSTARTER Y/D 18KW LC3D18AP7 MOTOR STARTER Y/D 18KW LC3D18AP7	DEMARREUR MOT. ET./TRI. 18KW LC3D18AP7 ARRANQUE MOTOR Y/D 18KW LC3D18AP7	AVVIATORE STELLA/TRIA. 18KW LC3D18AP7	1
	65311797	MOTORSTARTER Y/D 22KW LC3D32AP7 MOTOR STARTER Y/D 22KW LC3D32AP7	DEMARREUR MOT. ET./TRI. 22KW LC3D32AP7 ARRANQUE MOTOR Y/D 22KW LC3D32AP7	AVVIATORE STELLA/TRIA. 22KW LC3D32AP7	1
	65312015	MOTORSTARTER Y/D 11KW LC3D12AP7 MOTOR STARTER Y/D 11KW LC3D12AP7	DEMARREUR MOT. ET./TRI. 11KW LC3D12AP7 ARRANQUE MOTOR Y/D 11KW LC3D12AP7	AVVIATORE STELLA/TRIA. 11KW LC3D12AP7	1
1597	65311798	MOTORSCHUTZSCHALTER SCH 15KW GV2ME32 VERMOGENSCHAKEL.MOTOR SCH 15KW GV2ME32	DISJONCTEUR MOTEUR SCH 15KW GV2ME32 DISYUNTOR MOTOR SCH 15KW GV2ME32	DISJIUNTORE MOTORE SCH 15KW GV2ME32	1
	65311917	MOTORSCHUTZSCHALTER SCH 22KW GV3P50 VERMOGENSCHAKEL.MOTOR SCH 22KW GV3P50	DISJONCTEUR MOTEUR SCH 22KW GV3P50 DISYUNTOR MOTOR SCH 22KW GV3P50	DISJIUNTORE MOTORE SCH 22KW GV3P50	1
	65312018	MOTORSCHUTZSCHALTER SCH 11KW GV2ME22 VERMOGENSCHAKEL. MOTOR SCH 11KW GV2ME22	DISJONCTEUR MOTEUR SCH 11KW GV2ME22 DISYUNTOR MOTOR SCH 11KW GV2ME22	DISJIUNTORE MOTORE SCH 11KW GV2ME22	1
	65312019	MOTORSCHUTZSCHALTER SCH 18,5KW GV3P40 VERMOGENSCHAKEL.MOTOR SCH 18,5KW GV3P40	DISJONCTEUR MOTEUR SCH 18,5KW GV3P40 DISYUNTOR MOTOR SCH 18,5KW GV3P40	DISJIUNTORE MOTORE SCH 18,5KW GV3P40	1
1600	65312334	KONTROLLEUCHE 32X22,5X21 COME.0401S 8S CONTROLELAMPJUE 32X22,5X21 COME.0401S 8S	VOYANT LUMINEUX 32X22,5X21 COME.0401S 8S TESTIGO 32X22,5X21 COMELUX 0401.S 8S	LAMPADA SPIA 32X22,5X21 COMELUX 0401S 8S	1
1601	65312337	SCHALTER COM 2POS. MOMENTARY 0401.1 T2C2 SCHAKELAAR 2 POS. MOMENT.0401.1 T2C2	INTERRUPTEUR 2 POS. MOMENT. 0401.1 T2C2 INTERRUPTOR 2 POS. MOMENT. 0401.1 T2C2	INTERUTTORE 2 POS. MOMENT. 0401.1 T2C2	1
1602	65312336	SCHALTER COM 3POS. ON-OFF-ON 0401.1 T2C2 SCHAKELAAR COM 3POS. ON-OFF-ON 0401.1 T2	INTERRUPTEUR 3POS. ON-OFF-ON 0401.1 T2C2 INTERRUPTOR 3 POS. ON-OFF-ON 0401.1 T2C2	INTERUTTORE 3 POS. ON-OFF-ON 0401.1 T2C2	1
1604	65312335	SCHALTER COM 2POS. ON-ON 0401.1.DEV T2C2 SCHAKELAAR COM 2POS. ON-ON 0401.1.DEV T2	INTERRUPTEUR 2POS. ON-ON 0401.1.DEV T2C2 INTERRUPTOR 2 POS. ON-ON 0401.1.DEV T2C2	INTERUTTORE 2 POS. ON-ON 0401.1.DEV T2C	1
1605	65312341	BLINDDECKEL/BRENNERSCHRANKHAUBE AFSLUITER/KAP ELEKTRISCHE KAST	OBTURATEUR/ARMOIRE ELECTRIQUE CONJUNTO/CUBIERTA ARMARIO ELÉCTRICO	OTTURATORE/COPERCHIO ARMADIO ELETTR.	1
1610	65311451	KABELVERSCHRAUBUNG M16 PAKKINGBUS M16	PRESSE-ETOUPPE M16 PRENSAESTOPAS M16	PREMISTOPPA M16	1
1611	65311758	KABELVERSCHRAUBUNG M20 PAKKINGBUS M20	PRESSE-ETOUPPE M20 PRENSAESTOPAS M20	PREMISTOPPA M20	1
1612	65312852	KABELVERSCHRAUBUNG CLICK M25 PAKKINGBUS CLICK M25	PRESSE-ETOUPPE CLICK M25 PRENSAESTOPAS CLICK M25	PREMISTOPPA CLICK M25	1
1700	65311446	WAG BETAETIGUNGSWERKZEUG 2009-309 BEDIENINGSGEREEDSCHAP WAG 2009-309	OUTIL DE MANOEUVRE WAG 2009-309 HERRAMIENTA D.ACCIONAM. WAG 2009-309	DISPOSITIVO DI MANOVRA WAG 2009-309	1
2020	65312078	BRENNERROHR D369/400/320 L617 BRANDERBUIIS D369/400/320 L617	TUBE DE FLAMME D369/400/320 L617 TUBO DE LLAMA D369/400/320 L617	BOCCAGLIO D369/400/320 L617	1
	65312079	BRENNERROHR D369/400/320 L757 BRANDERBUIIS D369/400/320 L757	TUBE DE FLAMME D369/400/320 L757 TUBO DE LLAMA D369/400/320 L757	BOCCAGLIO D369/400/320 L757	1
	65312080	BRENNERROHR D369/400/320 L897 BRANDERBUIIS D369/400/320 L897	TUBE DE FLAMME D369/400/320 L897 TUBO DE LLAMA D369/400/320 L897	BOCCAGLIO D369/400/320 L897	1
	65312081	BRENNERROHR D369/415/351 L638 BRANDERBUIIS D369/415/351 L638	TUBE DE FLAMME D369/415/351 L638 TUBO DE LLAMA D369/415/351 L638	BOCCAGLIO D369/415/351 L638	1
	65312082	BRENNERROHR D369/415/351 L778 BRANDERBUIIS D369/415/351 L778	TUBE DE FLAMME D369/415/351 L778 TUBO DE LLAMA D369/415/351 L778	BOCCAGLIO D369/415/351 L778	1
	65312083	BRENNERROHR D369/415/351 L918 BRANDERBUIIS D369/415/351 L918	TUBE DE FLAMME D369/415/351 L918 TUBO DE LLAMA D369/415/351 L918	BOCCAGLIO D369/415/351 L918	1
	65312084	BRENNERROHR D431,5/373 L408 BRANDERBUIIS D431,5/373 L408	TUBE DE FLAMME D431,5/373 L408 TUBO DE LLAMA D431,5/373 L408	BOCCAGLIO D431,5/373 L408	1
	65312085	BRENNERROHR D431,5/373 L558 BRANDERBUIIS D431,5/373 L558	TUBE DE FLAMME D431,5/373 L558 TUBO DE LLAMA D431,5/373 L558	BOCCAGLIO D431,5/373 L558	1
	65312086	BRENNERROHR D431,5/373 L708 BRANDERBUIIS D431,5/373 L708	TUBE DE FLAMME D431,5/373 L708 TUBO DE LLAMA D431,5/373 L708	BOCCAGLIO D431,5/373 L708	1
2110	65314397	STAUSCHEIBE D300/281/120 STUWPLAAT D300/281/120	DEFLECTEUR D300/281/120 DEFLECTOR D300/281/120	DIFFUSORE D300/281/120	1
	65314398	STAUSCHEIBE D320/281/130 STUWPLAAT D320/281/130	DEFLECTEUR D320/281/130 DEFLECTOR D320/281/130	DIFFUSORE D320/281/130	1
	65314399	STAUSCHEIBE D330/281/130 STUWPLAAT D330/281/130	DEFLECTEUR D330/281/130 DEFLECTOR D330/281/130	DIFFUSORE D330/281/130	1
2115	65314497	ZENTRIERSTÜCK FÜR DÜSENSTANGE (N-EKEVO8) CENTREERST.VOOR SPROEIERLJNE (N-EKEVO8)	PIECE DE CENTRAGE LIGNE GICL. (N-EKEVO8) PIEZA CENTRADO LINEA BOQUIL. (N-EKEVO8)	PEZZO CENTRAGGIO LINEA UGELLO (N-EKEVO8)	1
	65314498	ZENTRIERSTÜCK FÜR DÜSENSTANGE (N-EKEVO9) CENTREERST.VOOR SPROEIERLJNE (N-EKEVO9)	PIECE DE CENTRAGE LIGNE GICL. (N-EKEVO9) PIEZA CENTRADO LINEA BOQUIL. (N-EKEVO9)	PEZZO CENTRAGGIO LINEA UGELLO (N-EKEVO9)	1
2200	1728777751	ZÜNDKABEL D6,4/D6,4 L1500 AP ONTSTEKINGSKABEL D6,4/D6,4 L1500 AP	CABLE ALLUMAGE D6,4/D6,4 L1500 AP CABLE ENCENDIDO D6,4/D6,4 L1500 AP	CAVO ACCENSIONE D6,4/D6,4 L1500 AP	1
2350	1728703262	ZUENDELEKTROD.D11X220 D3X150 20° L150 D4 ONTSTEKINGSP. D11X220 D3X150 20° L150 D4	ELECT.ALLU. D11X220 D3X150 20° L150 D4 ELECTROD.ENC. D11X220 D3X150 20° L150 D4	ELETTRODO ACC.D11X220 D3X150 20° L150 D4	1

		DE NL	FR ES	IT	X
2360	68135973	HALTEBRIDE 46X25X2 BEUGEL VOOR ELEKTRODE 46X25X2	ETRIER POUR ELECTRODE 46X25X2 ELECTRODE HOLDER 46X25X2	SOPPORTO PER ELETTRRODE 46X25X2	1
2380	65310280	DÜSENSTANGE RDG 1250D35 L860 SPROEIERLIJNE RDG 1250D35 L860	LIGNE GICLEUR RDG 1250D35 L860 LÍNEA DE BOQUILLA RDG 1250D35 L860	LINEA UGELLO RDG 1250D35 L860	1
	65311817	DÜSENSTANGE RDG 1250D35 L760 SPROEIERLIJNE RDG 1250D35 L760	LIGNE GICLEUR RDG 1250D35 L760 LÍNEA DE BOQUILLA RDG 1250D35 L760	LINEA UGELLO RDG 1250D35 L760	1
	65311818	DÜSENSTANGE RDG 1250D35 L960 SPROEIERLIJNE RDG 1250D35 L960	LIGNE GICLEUR RDG 1250D35 L960 LÍNEA DE BOQUILLA RDG 1250D35 L960	LINEA UGELLO RDG 1250D35 L960	1
	65312102	DÜSENSTANGE RDG 1250D35 L560 SPROEIERLIJNE RDG 1250D35 L560	LIGNE GICLEUR RDG 1250D35 L560 LÍNEA DE BOQUILLA RDG 1250D35 L560	LINEA UGELLO RDG 1250D35 L560	1
2490	65311435	ÖLSCHLAUCH DN16 L500 OLIESLANG DN16 L500	FLEXIBLE DN16 L500 LATIGUILLO DN16 L500	FLESSIBILE DN16 L500	1
2510	65311407	MOTOR 3KW 230/400V D28 1400 TR/MN GMP MOTOR 3KW 230/400V D28 1400 TR/MN GMP	MOTEUR 3KW 230/400V D28 1400 TR/MN GMP MOTOR 3KW 230/400V D28 1400 TR/MN GMP	MOTORE 3KW 230/400V D28 1400 TR/MN GMP	1
	65312104	MOTOR 4KW400/690V D28 1400TR/MN GMP IE3 MOTOR 4KW400/690V D28 1400TR/MN GMP IE3	MOTEUR 4KW400/690V D28 1400TR/MN GMP IE3 MOTOR 4KW400/690V D28 1400TR/MN GMP IE3	MOTORE 4KW400/690V D28 1400TR/MN GMP IE3	1
2515	1238795399	KUPPLUNG D24/28 PW DM18/MW KOPPELING D24/28 PW DM18/MW	ACCOUPLLEMENT D24/28 PW DM18/MW ACOPLAMIENTO D24/28 PW DM18/MW	GIUNTO D24/28 PW DM18/MW	1
	1238795402	KUPPLUNG TYP 28/38 KPL. PW DM22/MW DM28 KOPPELING D28/38 PW DM22/MW	ACCOUPLLEMENT D28/38 PW DM22/MW ACOPLAMIENTO D28/38 PW DM22/MW	GIUNTO D28/38 PW DM22/MW	1
2516	1238795424	ELASTISCHER ZAHNKRANZ F. KUPPL. 24/28 KOPPELING D24/28 GMP	ACCOUPLLEMENT D24/28 GMP ACOPLAMIENTO D24/28 GMP	GIUNTO D24/28 GMP	1
	1238795435	ELASTISCHER ZAHNKRANZ F. KUPPL. 28/38 KOPPELING D28/38	ACCOUPLLEMENT D28/38 ACOPLAMIENTO D28/38	GIUNTO D28/38	1
2520	65312206	DRUCKWAECHTER DSB158 F931, 0-25BAR, IP65 OLIEDRUKSCHAKELAAR DSB 158 F931 0-25BAR	MANOSTAT FIOUL DSB 158 F931 0-25BAR PRESOSTATO GASOLEO DSB 158 F931 0-25BAR	PRESSOSTATO GASOLIO DSB 158 F931 0-25BAR	1
2525	65311615	STEKER HIRSCH GDMW3011 WITH SKIRT STEKKER HIRSCH GDMW3011 WITH SKIRT	PRISE HIRSCH GDMW3011 WITH SKIRT ENCHULE HIRSCH GDMW3011 WITH SKIRT	CONNETTORE HIRSCH GDMW3011 WITH SKIRT	1
2526	65311616	DICHTUNG GDM 3-21 PAKKING GDM 3-21	JOINT GDM 3-21 JUNTA GDM 3-21	GUARNIZIONE GDM 3-21	1
2550	65311650	STELLANTRIEB STE 4,5 Q3.51/6+KABEL L3000 SERVOMOTOR STE 4,5 Q3.51/6+KABEL L3000	SERVOMOTEUR STE 4,5 Q3.51/6+CABLE L3000 SERVOMOTOR STE 4,5 Q3.51/6+CABLE L3000	SERVOMOTORE STE 4,5 Q3.51/6+CAVO L3000	1
2555	65311831	DISTANZROHR HEX15X42 M6-M8 VULSTUK HEX15X42 M6-M8	ENTRETOISE HEX15X42 M6-M8 DISTANCIADOR HEX15X42 M6-M8	DISTANZIALE HEX15X42 M6-M8	1
2560	65312938	T-WINKELANSCHLUSS P-TV18/18/10L T-AANSLUITING P-TV18/18/10L	RACCOR EN T P-TV18/18/10L RACOR EN T P-TV18/18/10L	RACCORDO A T P-TV18/18/10L	1
2561	65313847	T-WINKELANSCHLUSS P-ELV18L-SV T-AANSLUITING P-ELV18L-SV	RACCOR EN T P-ELV18L-SV RACOR EN T P-ELV18L-SV	RACCORDO A T P-ELV18L-SV	1
2562	65313847	T-WINKELANSCHLUSS P-ELV18L-SV T-AANSLUITING P-ELV18L-SV	RACCOR EN T P-ELV18L-SV RACOR EN T P-ELV18L-SV	RACCORDO A T P-ELV18L-SV	1
2570	65312935	KUPPLUNG D10/D8X38-90 KOPPELING D10/D8X38-90	ACCOUPLLEMENT D10/D8X38-90 ACOPLAMIENTO D10/D8X38-90	GIUNTO D10/D8X38-90	1
2580	65311412	BEFESTIGUNGSPLATTE HYDR.-BL.-STELL. STE BEVESTIGINGSPLAAT VAN DE SERVOMOTOR STE	PLATINE SERVOMOTEUR STE PLACA DEL SERVOMOTOR STE	PIASTRA SERVOMOTORE STE	1
2600	65312284	ANTRIEBS BG HYD-BLOCK N8/9&EKEVO8/9E BT HYDRAUL.BLOK AANDRIJF. N8/9&EKEVO8/9E BT	ENSEMBL. ENTR. BLOC HYD. N8/9&EKEVO8/9E BT CONJ. ACCION. UNID. HYDR. N8/9&EKEVO8/9E BT	GR. TRASMI. UNIT. IDRAUL. N8/9&EKEVO8/9E BT	1
2610	65311414	SCHMUTZFÄNGER R1Z L90 TYP 112.00 PN16 FILTER-ZEEF G1 L90 TYP 112.00 PN16	FILTRE-TAMIS G1 L90 TYP 112.00 PN16 FILTRO-TAMIZ G1 L90 TYP 112.00 PN16	FILTRO-SETACCIO G1 L90 TYP 112.00 PN16	1
	65311578	OELFILTER RP3/4 PN16 OLIEFILTER RP3/4 PN16	FILTRE FIOUL RP3/4 PN16 FILTRO GASOLEO RP3/4 PN16	FILTRO GASOLIO RP3/4 PN16	1
2700	65311410	OELPUMPE VBHRG I 410 SO 1700L/H POMP VBHRG I 410 SO 1700L/H	POMPE FIOUL VBHRG I 410 SO 1700L/H BOMBA VBHRG I 410 SO 1700L/H	POMPA VBHRG I 410 SO 1700L/H	1
	65312105	OELPUMPE VBHGRP-I-4-10-So 2200L/H POMP VBHGRP-I-4-10-So 2200L/H	POMPE FIOUL VBHGRP-I-4-10-So 2200L/H BOMBA VBHGRP-I-4-10-So 2200L/H	POMPA VBHGRP-I-4-10-So 2200L/H	1
2705	13022666	MAGNETVENTIL LUC 321F2523 P8 PG11 19W MAGNEETKLEP LUC 321F2523 P8 PG11 19W	ELECTROVANNE LUC 321F2523 P8 PG11 19W ELECTROVALVULA LUC 321F2523 P8 PG11 19W	ELETTRORVALVOLA LUC 321F2523 P8 PG11 19W	1
2710	13022667	MAGNETVENTIL LUC 121F2523 P8 PG11 19W MAGNEETKLEP LUC 121F2523 P8 PG11 19W	ELECTROVANNE LUC 121F2523 P8 PG11 19W ELECTROVALVULA LUC 121F2523 P8 PG11 19W	ELETTRORVALVOLA LUC 121F2523 P8 PG11 19W	1
2750	13019342	ÖLSCHLAUCH DN20 M30-M30 L1500 OLIESLANG DN20 M30-M30 L1500	FLEXIBLE DN20 M30-M30 L1500 LATIGUILLO DN20 M30-M30 L1500	FLESSIBILE DN20 M30-M30 L1500	1
	1488436955	ÖLSCHLAUCH DN25 M38-M38 L1500 OLIESLANG DN25 M38-M38 L1500	FLEXIBLE DN25 M38-M38 L1500 LATIGUILLO DN25 M38-M38 L1500	FLESSIBILE DN25 M38-M38 L1500	1
2800	65312285	REGELWELLE 8.0 LINKSVERS. GR.2 REGELING AS 8.0 (CCW) GR.2	ARBRE DE REGULATION 8.0 (ROT. GAUCHE) GR.2 ARBOL DE REGULAC. 8.0 (ROT. IZQUIERDA) GR.2	ALBERO DI REGOLAZ. 8.0 (ROT. SINISTRA) GR.2	1
	65312292	REGELWELLE 7.0 LINKSVERS. GR.2 REGELING AS 7.0 (CCW) GR.2	ARBRE DE REGULATION 7.0 (ROT. GAUCHE) GR.2 ARBOL DE REGULAC. 7.0 (ROT. IZQUIERDA) GR.2	ALBERO DI REGOLAZ. 7.0 (ROT. SINISTRA) GR.2	1
	65312304	REGELWELLE 7.0 LINKSVERS. REGELING AS 7.0 (CCW)	ARBRE DE REGULATION 7.0 (ROT. GAUCHE) ARBOL DE REGULACION 7.0 (ROT. IZQUIERDA)	ALBERO DI REGOLAZIONE 7.0 (ROT. SINISTRA)	1
	65312305	REGELWELLE 8.0 LINKSVERS. REGELING AS 8.0 (CCW)	ARBRE DE REGULATION 8.0 (ROT. GAUCHE) ARBOL DE REGULACION 8.0 (ROT. IZQUIERDA)	ALBERO DI REGOLAZIONE 8.0 (ROT. SINISTRA)	1
2810	65311406	PUMPENAGGREGAT SMG1630-I-4-SO-IE3 30BAR POMPAGGREGAAT SMG1630-I-4-SO-IE3 30BAR	GPE MOTOPOMPE SMG1630-I-4-SO-IE3 30BAR GRUPO DE BOMBA SMG1630-I-4-SO-IE3 30BAR	GRUPPO MOTOPOMP. SMG1630-I-4-SO-IE3 30BAR	1

		DE	FR	IT	
		NL	ES		
	65312103	PUMPENAGGREGAT SMG1631-I-4-SO-IE3 30BAR POMPAGGREGAAT SMG1631-I-4-SO-IE3 30BAR	GPE MOTO POMPE SMG1631-I-4-SO-IE3 30BAR GRUPO DE BOMBA SMG1631-I-4-SO-IE3 30BAR	GRUPPO MOTO POMP.SMG1631-I-4-SO-IE3 30BAR	1
5001	1458645325	DUESE BER 350 KG 55° CBM NOZZLE BER 350 KG 55° CBM	GICLEUR BER 350 KG 55° CBM BOQUILLA BER 350 KG 55° CBM	UGELLO BER 350 KG 55° CBM	1
	1458645347	DUESE BER 400 KG 50° CBM NOZZLE BER 400 KG 50° CBM	GICLEUR BER 400 KG 50° CBM BOQUILLA BER 400 KG 50° CBM	UGELLO BER 400 KG 50° CBM	1
	1458698846	DUESE DZ 1000 750 KG 80° M14 1-5 NOZZLE DZ 1000 750 KG 80° M14 1-5	GICLEUR DZ 1000 750 KG 80° M14 1-5 BOQUILLA DZ 1000 750 KG 80° M14 1-5	UGELLO DZ 1000 750 KG 80° M14 1-5	1
	65311201	DUESE DZ 1000 950 KG 80° M14 1-5 NOZZLE DZ 1000 950 KG 80° M14 1-5	GICLEUR DZ 1000 950 KG 80° M14 1-5 BOQUILLA DZ 1000 950 KG 80° M14 1-5	UGELLO DZ 1000 950 KG 80° M14 1-5	1
	65312421	DUESE DZ1000 800KG 80° M14 1-5 NOZZLE DZ1000 800KG 80° M14 1-5	GICLEUR DZ1000 800KG 80° M14 1-5 BOQUILLA DZ1000 800KG 80° M14 1-5	UGELLO DZ1000 800KG 80° M14 1-5	1
	65313182	DUESE BER 275KG 55° CBM NOZZLE BER 275KG 55° CBM	GICLEUR BER 275KG 55° CBM BOQUILLA BER 275KG 55° CBM	UGELLO BER 275KG 55° CBM	1
	65313183	DUESE BER 300KG 55° CBM NOZZLE BER 300KG 55° CBM	GICLEUR BER 300KG 55° CBM BOQUILLA BER 300KG 55° CBM	UGELLO BER 300KG 55° CBM	1
	65313184	DUESE BER 450KG 55° CBM NOZZLE BER 450KG 55° CBM	GICLEUR BER 450KG 55° CBM BOQUILLA BER 450KG 55° CBM	UGELLO BER 450KG 55° CBM	1
	65313185	DUESE BER 500KG 55° CBM NOZZLE BER 500KG 55° CBM	GICLEUR BER 500KG 55° CBM BOQUILLA BER 500KG 55° CBM	UGELLO BER 500KG 55° CBM	1
	65313186	DUESE BER 600KG 55° CBM NOZZLE BER 600KG 55° CBM	GICLEUR BER 600KG 55° CBM BOQUILLA BER 600KG 55° CBM	UGELLO BER 600KG 55° CBM	1
	65313190	DUESE DZ 1000 900 KG 80° M14 1-5 NOZZLE DZ 1000 900 KG 80° M14 1-5	GICLEUR DZ 1000 900 KG 80° M14 1-5 BOQUILLA DZ 1000 900 KG 80° M14 1-5	UGELLO DZ 1000 900 KG 80° M14 1-5	1
	65313195	DUESE DZ1000 1000KG 80° M14 1-5 NOZZLE DZ1000 1000KG 80° M14 1-5	GICLEUR DZ1000 1000KG 80° M14 1-5 BOQUILLA DZ1000 1000KG 80° M14 1-5	UGELLO DZ1000 1000KG 80° M14 1-5	1
	65313851	DUESE BER 550KG 55° CBM NOZZLE BER 550KG 55° CBM	GICLEUR BER 550KG 55° CBM BOQUILLA BER 550KG 55° CBM	UGELLO BER 550KG 55° CBM	1
	65313852	DUESE DZ1000 550KG 80° M14 1-5 NOZZLE DZ1000 550KG 80° M14 1-5	GICLEUR DZ1000 550KG 80° M14 1-5 BOQUILLA DZ1000 550KG 80° M14 1-5	UGELLO DZ1000 550KG 80° M14 1-5	1
	65313853	DUESE DZ1000 700KG 80° M14 1-5 NOZZLE DZ1000 700KG 80° M14 1-5	GICLEUR DZ1000 700KG 80° M14 1-5 BOQUILLA DZ1000 700KG 80° M14 1-5	UGELLO DZ1000 700KG 80° M14 1-5	1
	65313854	DUESE DZ1000 650KG 80° M14 1-5 NOZZLE DZ1000 650KG 80° M14 1-5	GICLEUR DZ1000 650KG 80° M14 1-5 BOQUILLA DZ1000 650KG 80° M14 1-5	UGELLO DZ1000 650KG 80° M14 1-5	1
	65313855	DUESE DZ1000 850KG 80° M14 1-5 NOZZLE DZ1000 850KG 80° M14 1-5	GICLEUR DZ1000 850KG 80° M14 1-5 BOQUILLA DZ1000 850KG 80° M14 1-5	UGELLO DZ1000 850KG 80° M14 1-5	1
5002	65312446	FEUERUNGSAUT. BT330 BASISEINSTELL. BRANDERAUT. BT330 BASIS AFSTELLING	COFFRET BT330 REGLAGE DE BASE PROGRAMADOR BT330 CONFIGUR. BÁSICA	APPARECCH. BT330 REGOL. BASE	1
	65312448	FEUERUNGSAUT. BT320 SPEZIAL EINSTELL. BRANDERAUT. BT320 SPECIAL. AFSTELLING	COFFRET BT320 REGLAGE SPECIFIQUE PROGRAMADOR BT320 CONFIG. ESPECIFICA	APPARECCH. BT320 REGOL. SPEZIAL.	1
	65312449	FEUERUNGSAUT. BT330 SPEZIAL EINSTELL. BRANDERAUT. BT330 SPECIAL. AFSTELLING	COFFRET BT330 REGLAGE SPECIFIQUE PROGRAMADOR BT330 CONFIG. ESPECIFICA	APPARECCH. BT330 REGOL. SPEZIAL.	1
5015	65311790	LCM100 (LSB-M 667R0500-1) LCM100-MODULE (LSB-M 667R0500-1)	MODULE LCM100 (LSB-M 667R0500-1) MÓDULO LCM100 (LSB-M 667R0500-1)	MODULO LCM100 (LSB-M 667R0500-1)	1
5020	65311918	VSM100 (LSB-M 667R0200-1) VSM100-MODULE (LSB-M 667R0200-1)	MODULE VSM100 (LSB-M 667R0200-1) MÓDULO VSM100 (LSB-M 667R0200-1)	MODULO VSM100 (LSB-M 667R0200-1)	1
5025	65312275	KONSOLE LAM F152 659G0501 CONSOLE LAM F152 659G0501	CONSOLE LAM F152 659G0501 CONSOLA LAM F152 659G0501	CONSOLLE LAM F152 659G0501	1
5035	65312550	IND.SENSOR NAMUR NI5-G12-Y1+KABEL 5 METE SENSOR NAMUR NI5-G12-Y1+KABEL 5 METRO	CAPTEUR NAMUR NI5-G12-Y1+CABLE 5 METRE SENSOR NAMUR NI5-G12-Y1+CABLE 5 METRO	SENSORE NAMUR NI5-G12-Y1+CAVO 5 METRI	1
5100	65312285	REGELWELLE 8.0 LINKSVERS. GR.2 REGELING AS 8.0 (CCW) GR.2	ARBRE DE REGULATION 8.0(ROT.GAUCHE) GR.2 ARBOL DE REGULAC. 8.0(ROT.IZQUIERDA)GR.2	ALBERO DI REGOLAZ. 8.0(ROT.SINISTRA)GR.2	1
	65312292	REGELWELLE 7.0 LINKSVERS. GR.2 REGELING AS 7.0 (CCW) GR.2	ARBRE DE REGULATION 7.0(ROT.GAUCHE) GR.2 ARBOL DE REGULAC. 7.0(ROT.IZQUIERDA)GR.2	ALBERO DI REGOLAZ. 7.0(ROT.SINISTRA)GR.2	1
	65312293	REGELWELLE 9.0 LINKSVERS. GR.2 REGELING AS 9.0 (CCW) GR.2	ARBRE DE REGULATION 9.0(ROT.GAUCHE) GR.2 ARBOL DE REGULAC. 9.0(ROT.IZQUIERDA)GR.2	ALBERO DI REGOLAZ. 9.0(ROT.SINISTRA)GR.2	1
	65312302	REGELWELLE 5.0 LINKSVERS. REGELING AS 5.0 (CCW)	ARBRE DE REGULATION 5.0 (ROT. GAUCHE) ARBOL DE REGULACION 5.0 (ROT. IZQUIERDA)	ALBERO DI REGOLAZIONE 5.0 (ROT.SINISTRA)	1
	65312303	REGELWELLE 6.0 LINKSVERS. REGELING AS 6.0 (CCW)	ARBRE DE REGULATION 6.0 (ROT. GAUCHE) ARBOL DE REGULACION 6.0 (ROT. IZQUIERDA)	ALBERO DI REGOLAZIONE 6.0 (ROT.SINISTRA)	1
	65312304	REGELWELLE 7.0 LINKSVERS. REGELING AS 7.0 (CCW)	ARBRE DE REGULATION 7.0 (ROT. GAUCHE) ARBOL DE REGULACION 7.0 (ROT. IZQUIERDA)	ALBERO DI REGOLAZIONE 7.0 (ROT.SINISTRA)	1
	65312305	REGELWELLE 8.0 LINKSVERS. REGELING AS 8.0 (CCW)	ARBRE DE REGULATION 8.0 (ROT. GAUCHE) ARBOL DE REGULACION 8.0 (ROT. IZQUIERDA)	ALBERO DI REGOLAZIONE 8.0 (ROT.SINISTRA)	1
5300	65114033	REGLER SIEM RWF55.50A9 96X48 REGELAAR SIEM RWF55.50A9 96X48	REGULATEUR PUISSANCE RWF55.50A9 96X48 REGULADOR SIEM RWF55.50A9 96X48	REGOLATORE SIEM RWF55.50A9 96X48	1
5500	65312274	FLAMMENFUEHLER FFS08-UV1 659D31 - 5M FOTOCEL FFS08-UV1 659D31 - 5M W/O	CELLULE FFS08-UV1 659D31 - 5M W/O CELULA FFS08-UV1 659D31 - 5M W/O	FOTOCELLULA FFS 08—UV1 659D31 - 5M W/O	1
5699	65312244	KABEL ANSCHLUSS BT300/LCM100 667P0515 KABEL ANSCHLUSS BT300/LCM100 667P0515	CABLE LIAISON BT300/LCM100 667P0515 CABLE DE CONEXION BT300/LCM100 667P0515	CAVO COLLEGA BT300/LCM100 667P0515	1

					
1040	65311665	ВОЗДУХОЗАБОРНИК D332x127,5 HAVA GIRIŞ D332x127,5	ENTRADA DE AR D332x127,5	WLOT POWIETRZA D332x127,5	1
	65311672	ВОЗДУХОЗАБОРНИК D318x134 HAVA GIRIŞ D318x134	ENTRADA DE AR D318x134	WLOT POWIETRZA D318x134	1
	65311673	ВОЗДУХОЗАБОРНИК D288x127 HAVA GIRIŞ D288x127	ENTRADA DE AR D288x127	WLOT POWIETRZA D288x127	1
	65311715	ВОЗДУХОЗАБОРНИК D344x126 HAVA GIRIŞ D344x126	ENTRADA DE AR D344x126	WLOT POWIETRZA D344x126	1
1050	1180603227	СМОТРОВОЕ ОКНО 55X21 ROGAR CAMI 55X21	VIGIA 55X21	SZKŁO PODGLĄDU 55X21	1
1060	1188052260	КРЫШКА D61/55/ГЛАЗКА ДЛЯ КОНТРОЛЯ КАРАК D61/55/GÖZETLEME CAMI	TAMPA D61/55/VIGIA	POKRYWA D61/55/SZKŁO PODGLĄDU	1
1065	65312849	ШКАЛУ-ИНДИКАТОР ХОДА EKEVO 8/9 INDICATOR ISKALA EKEVO 8/9	INDICADOR AJUST. CON ESCALA EKEVO 8/9	WSKAŹNIK + SKALI EKEVO 8/9	1
1070	1180559591	ГАЙКА M48X1,5 SOMUN M48X1,5	PORCA M48X1,5	KRĘTKA M48X1,5	1
1075	65313875	ОСЬ/ВОЗДУШ.ЗАСП.УКАЗАТЕЛЬ D12X681 M8-M6 AKSI/HAVA KLAPESI/İŞARETÇİ D12X681 M8-M6	HASTE / FLAP DE AR/PONTOS D12X681 M8-M6	OŚ/PRZEPUST.POW./WSKAŹNIK D12X681 M8-M6	1
1076	65313877	ОСЬ / СЕРВОДВИГАТЕЛЬ/ШЕСТЕРНЯ D12X681 AKSI / SERVOMOTOR/DİŞLI D12X681	HASTE / SERVOMOTOR/ENGRANAGEM D12X681	OŚ / SERWOMOTOR/PRZEKŁADNIA D12X681	1
1077	65313876	ОСЬ / ВОЗДУШ.ЗАСП.ШЕСТЕРНЯ D12X696 AKSI / HAVA KLAPESI/DİŞLI D12X696	HASTE / FLAP DE AR/ENGRANAGEM D12X696	OŚ / PRZEPUST.POW./PRZEKŁADNIA D12X696	1
1078	65313874	ОСЬ / ВОЗДУШ.ЗАСП./РЫЧАГ D12X670 M8 AKSI / HAVA KLAPESI/KOLU D12X670 M8	HASTE / FLAP DE AR/ALAVANCA D12X670 M8	OŚ / PRZEPUST.POW./DŹWIGNIA D12X670 M8	1
1079	65313873	РЫЧАГ/ОСЬ ВОЗДУШНАЯ ЗАСП. 54X20 D10-D6 KOL/NAKSI HAVA KLAPESI 54X20 D10-D6	ALAVANCA / HASTE FLAP DE AR 54X20 D10-D6	DŹWIGNIA/OŚ PRZEPUST.POW. 54X20 D10-D6	1
1080	65311670	РАБОЧЕЕ КОЛЕСО D556/320X86 D42 TÜRBİN D556/320X86 D42	TURBINA D556/320X86 D42	WIMIK D556/320X86 D42	1
	65311716	РАБОЧЕЕ КОЛЕСО D533/290X83 D42 TÜRBİN D533/290X83 D42	TURBINA D533/290X83 D42	WIMIK D533/290X83 D42	1
	65311717	РАБОЧЕЕ КОЛЕСО D590/334X92 D42 TÜRBİN D590/334X92 D42	TURBINA D590/334X92 D42	WIMIK D590/334X92 D42	1
	65311718	РАБОЧЕЕ КОЛЕСО D600/346X93 D48 TÜRBİN D600/346X93 D48	TURBINA D600/346X93 D48	WIMIK D600/346X93 D48	1
1091	1738733651	ТРАНСФО РОЗЖИГА ZA20 140 E21 REP.ZM20/14 ATEŞLEME TRAFO.ZA 20 140 E21 REP.ZM20/14	TRANSFO IGNIÇÃO ZA20 140 E21 REP.ZM20/14	TRANSFO ZAPŁONO.ZA20 140 E21 REP.ZM20/14	1
1095	65313891	ФОТОРЕЗИСТОР KLC J8-508-3 HÜCRE KLC J8-508-3	CELULA KLC J8-508-3	FOTOKOMÓRKA KLC J8-508-3	1
1096	65327620	ДЕРЖАТЕЛЬ ФОТОРЕЗИСТОР KLC DESTEĞİ HÜCRE KLC	SUPORTE CELULA KLC	WSPORNIK FOTOKOMÓRKA KLC	1
1100	65311472	ЗЕРКАЛО/ГЛАЗОК ДЛЯ КОНТРОЛЯ ПЛАМЕНИ AYNA/GÖZETLEME CAMI	ESELHO/VIGIA	LUSTROW/ZWIERNIK	1
1110	65311595	РЕЛЕ ДАВ. ВОЗДУХА LGW 50 A2P 2,5-50MB HAVA BASINÇ ŞALT. LGW 50 A2P 2,5-50MB	PRESSOSTATO AR LGW 50 A2P 2,5-50MB	CZUJNIK CIŚ. POW. LGW 50 A2P 2,5-50MB	1
1150	65311650	СЕРВОДВИГАТЕ STE4,5 Q3.51/6+КАБЕЛЬ L3000 SERVOMOTOR STE 4,5 Q3.51/6+KABLOSU L3000	SERVOMOTOR STE 4,5 Q3.51/6+CABO L3000	SERWOMOTOR STE 4,5 Q3.51/6+PRZEWÓD L3000	1
1170	65326333	ЭЛЕКТРОДВИГАТЕ.11KW 400/690V D42 IE3 ЧЕ. MOTORU 11KW 400/690V D42 IE3 ELV SIYAH	MOTOR 11KW 400/690V D42 IE3 ELV PRETO	SILNIK 11KW 400/690V D42 IE3 ELV CZARNY	1
	65326334	ЭЛЕКТРОДВИГАТЕ.15KW 400/690V D42 IE3 ЧЕ. MOTORU 15KW 400/690V D42 IE3 ELV SIYAH	MOTOR 15KW 400/690V D42 IE3 ELV PRETO	SILNIK 15KW 400/690V D42 IE3 ELV CZARNY	1
	65326335	ЭЛЕКТРОДВИГА.18,5KW 400/690V D42 IE3 ЧЕ. MOTORU 18,5KW 400/690V D42 IE3 ELV SIYAH	MOTOR 18,5KW 400/690V D42 IE3 ELV PRETO	SILNIK 18,5KW 400/690V D42 IE3 ELV CZAR.	1
	65326336	ЭЛЕКТРОДВИГАТЕ.22KW 400/690V D48 IE3 ЧЕ. MOTORU 22KW 400/690V D48 IE3 ELV SIYAH	MOTOR 22KW 400/690V D48 IE3 ELV PRETO	SILNIK 22KW 400/690V D48 IE3 ELV CZARNY	1
1171	65311933	САЛБНИК M32X1,5 KABLO BEZİ M32X1,5	PRENSAESTOPAS M32X1,5	DŁAWNICA M32X1,5	1
1200	65312856	ВОЗДУШНАЯ КАМЕРА 700X765X441+СЕРВОДВ.СPL HAVA KUTUSU 700X765X441+SERVOMOTOR CPL.	CAIXA DE AR 700X765X441+SERVOMOTOR CPL.	KOMORA POWIETRZA 700X765X441+SERWOM.CPL.	1
1400	65312848	ЗУБЧАТОЕ КОЛЕ.Z=100 M=1 BO=12MM EKEVO8/9 DİŞLI ÇARK Z=100 M=1 BO=12MM EKEVO8/9	RODA DENTADA Z=100 M=1 BO=12MM EKEVO8/9	KOŁO ZĘBATE Z=100 M=1 BO=12MM EKEVO8/9	1
1510	65312340	КРЫШКА 374X621X331/ELECTRIC PANEL EKEVO КАРАК 374X621X331/ELECTRIC PANEL EKEVO	TAMPA 374X621X331/ARMARIO ELETRICO EKEVO	POKRYWA 374X621X331/ELECTRIC PANEL EKEVO	1
1512	65312338	ЗАГЛУШКА/РЕГУЛЯТОР 92X45 IP54 OBTURATOER/REGULATOR 92X45 IP54	TAMPA CEGA/CONTROLADOR 92X45 IP54	ZASŁEPKA/REGULATOR 92X45 IP54	1
1520	65326869	ДИСПЛЕЙ БЛОКА УПРАВЛЕНИЯ BT3XX EKTRAN KUTU BT3XX	VISOR UNIDADE DE CONTROLE BT3XX	WYŚWIETLACZ MODUŁ BT3XX	1
1525	65311364	ПРОКЛАДКА/ДИСПЛЕЙ 152/140X80/70X2 CONTASI/EKTRAN 152/140X80/70X2	GAXETA/VISOR 152/140X80/70X2	USZCZELKA/WYŚWIETLACZ 152/140X80/70X2	1
1530	65312445	БЛОК УПРАВ. BT320 ОСНОВНЫЕ НАСТРОЙКИ KUTU BT320 TEMEL AYARI	PROGRAMADOR BT320 CONFIGUR. BÁSICA	MODUŁ BT320 USTAWIENIE PODSTAWOWE	1
1556	65313849	ДЕРЖАТЕЛЬ ПРЕД.+ПРЕДОХР-ЛЬ 6,3A(CERAMIC) SİGORTA TAŞIYICI + 6.3A SİGORTA(CERAMIC)	PORTA-FUSÍVEL+FUSÍVEL 6.3A (CERAMIC)	OPRAWA BEZPIEC.+BEZPIECZNIK 6,3A(CERAMIC)	1



		<b>RU</b> <b>TR</b>	<b>PT</b>	<b>PL</b>	
1557	65313850	ПРЕДОХРАНИТЕЛЬ 5X20 6,3A 250V CERAMIC SIGORTA 5X20 6,3A 250V CERAMIC	FUSIVEL 5X20 6,3A 250V CERAMIC	BEZPIECZNIKA 5X20 6,3A 250V CERAMIC	1
1580	65311793	КОНТАКТОР SCH LC1-D09P7 3-4KW KONTAKTÖR SCH LC1-D09P7 3-4KW	CONTACTOR SCH LC1-D09P7 3-4KW	STYCZNIK SCH LC1-D09P7 3-4KW	1
1581	65311794	РАЗЪЕДИНИТ. ЭЛЕКТРОДВИ. SCH 3-4KW GV2ME14 DEVRE KESİCİ MOTOR SCH 3-4KW GV2ME14	DISJUNTOR MOTOR SCH 3-4KW GV2ME14	WYŁĄCZNIKI SILNIK SCH 3-4KW GV2ME14	1
1585	65311795	ВСПОМОГАТЕЛЬНЫЙ ПЕРЕКЛЮЧАТЕЛЬ SCH GVA E11 YARDIMCI KONTAK SCH GVA E11	NTERRUPTOR AUXILIAR SCH GVA E11	PRZEŁĄCZNIK POMOCNICZY SCH GVA E11	1
1595	65311796	ПУСКАТЕЛЬ ДВИГАТЕЛЯ Y/D 18KW LC3D18AP7 MARŞ MOTORU Y/D 18KW LC3D18AP7	ARRANCADOR MOTOR Y/D 18KW LC3D18AP7	ROZRUSZ. SILNIKA Y/D 18KW LC3D18AP7	1
	65311797	ПУСКАТЕЛЬ ДВИГАТЕЛЯ Y/D 22KW LC3D32AP7 MARŞ MOTORU Y/D 22KW LC3D32AP7	ARRANCADOR MOTOR Y/D 22KW LC3D32AP7	ROZRUSZ. SILNIKA Y/D 22KW LC3D32AP7	1
	65312015	ПУСКАТЕЛЬ ДВИГАТЕЛЯ Y/D 11KW LC3D12AP7 MARŞ MOTORU Y/D 11KW LC3D12AP7	ARRANCADOR MOTOR Y/D 11KW LC3D12AP7	ROZRUSZ. SILNIKA Y/D 11KW LC3D12AP7	1
1597	65311798	РАЗЪЕДИНИТ. ЭЛЕКТРОДВИ. SCH 15KW GV2ME32 MOTOR DEVRE KESİCİ SCH 15KW GV2ME32	DISJUNTOR MOTOR SCH 15KW GV2ME32	WYŁĄCZNIKI SILNIK SCH 15KW GV2ME32	1
	65311917	РАЗЪЕДИНИТ. ЭЛЕКТРОДВИ. SCH 22KW GV3P50 MOTOR DEVRE KESİCİ SCH 22KW GV3P50	DISJUNTOR MOTOR SCH 22KW GV3P50	WYŁĄCZNIKI SILNIK SCH 22KW GV3P50	1
	65312018	РАЗЪЕДИНИТ. ЭЛЕКТРОДВИ. SCH 11KW GV2ME22 MOTOR DEVRE KESİCİ SCH 11KW GV2ME22	DISJUNTOR MOTOR SCH 11KW GV2ME22	WYŁĄCZNIKI SILNIK SCH 11KW GV2ME22	1
	65312019	РАЗЪЕДИНИТ. ЭЛЕКТРОДВИ. SCH 18,5KW GV3P40 MOTOR DEVRE KESİCİ SCH 18,5KW GV3P40	DISJUNTOR MOTOR SCH 18,5KW GV3P40	WYŁĄCZNIKI SILNIK SCH 18,5KW GV3P40	1
1600	65312334	СИГНАЛЬНАЯ ЛАМПА 32X22,5X21 COM.0401.S 8S GÖSTERGE İŞİĞİ 32X22,5X21 COME.0401.S 8S	LUZ INDICAD.32X22,5X21 COMELUX 0401.S 8S	LAMPKA KONTROL.32X22,5X21 COMEL.0401S 8S	1
1601	65312337	ПЕРЕКЛЮЧАТЕЛЬ COM 2 POS. MOMENT. 0401.1 ANAHTARI COM 2 POS.MOMENTARY 0401.1 T2C2	INTERRUPTOR 2 POS. MOMENTARY 0401.1 T2C2	PRZEŁĄCZNIK COM 2 POS. MOMENT. 0401.1 T2	1
1602	65312336	ПЕРЕКЛЮЧАТЕЛЬ 3 POS. ON-OFF-ON 0401.1 T2 ANAHTARI COM 3 POS. ON-OFF-ON 0401.1 T2	INTERRUPTOR 3 POS. ON-OFF-ON 0401.1 T2C2	PRZEŁĄCZNIK 3 POS. ON-OFF-ON 0401.1 T2C2	1
1604	65312335	ПЕРЕКЛЮЧАТЕЛЬ 2 POS. ON-ON 0401.1.DEV T2 ANAHTARI COM 2 POS. ON-ON 0401.1.DEV T2	INTERRUPTOR 2 POS. ON-ON 0401.1.DEV T2C2	PRZEŁĄCZNIK 2 POS. ON-ON 0401.1.DEV T2C2	1
1605	65312341	ЗАГЛУШКА/ЧЕХОЛ ЭЛЕКТРОННОГО ЩИТА OBTURATOER/ELEKTR. MUHAFAZA KARAĞI	TAMPA CEGA/TAMPA DO ARMÁRIO ELÉTRICO	ZASŁEPKA/POKRYWA URZĄDZEŃ ELEKTR.	1
1610	65311451	САЛЬНИК M16 KABLO RAKORU M16	PRENSAESTOPAS M16	DŁAWNICA M16	1
1611	65311758	САЛЬНИК M20 KABLO RAKORU M20	PRENSAESTOPAS M20	DŁAWNICA M20	1
1612	65312852	САЛЬНИК CLICK M25 KABLO RAKORU CLICK M25	PRENSAESTOPAS CLICK M25	DŁAWNICA CLICK M25	1
1700	65311446	ИНСТРУМЕНТЫ WAG 2009-309 İŞLETİM ARAC WAG 2009-309	FERRAMENTA WAG 2009-309	NARZĘD. D.PRZEŁĄCZANIA WAG 2009-309	1
2020	65312078	СОПЛО ГОРЕЛКИ D369/400/320 L617 BRÜLÖR BORUSU D369/400/320 L617	TUBO DO QUEIMADOR D369/400/320 L617	RURA PALNIKA D369/400/320 L617	1
	65312079	СОПЛО ГОРЕЛКИ D369/400/320 L757 BRÜLÖR BORUSU D369/400/320 L757	TUBO DO QUEIMADOR D369/400/320 L757	RURA PALNIKA D369/400/320 L757	1
	65312080	СОПЛО ГОРЕЛКИ D369/400/320 L897 BRÜLÖR BORUSU D369/400/320 L897	TUBO DO QUEIMADOR D369/400/320 L897	RURA PALNIKA D369/400/320 L897	1
	65312081	СОПЛО ГОРЕЛКИ D369/415/351 L638 BRÜLÖR BORUSU D369/415/351 L638	TUBO DO QUEIMADOR D369/415/351 L638	RURA PALNIKA D369/415/351 L638	1
	65312082	СОПЛО ГОРЕЛКИ D369/415/351 L778 BRÜLÖR BORUSU D369/415/351 L778	TUBO DO QUEIMADOR D369/415/351 L778	RURA PALNIKA D369/415/351 L778	1
	65312083	СОПЛО ГОРЕЛКИ D369/415/351 L918 BRÜLÖR BORUSU D369/415/351 L918	TUBO DO QUEIMADOR D369/415/351 L918	RURA PALNIKA D369/415/351 L918	1
	65312084	СОПЛО ГОРЕЛКИ D431,5/373 L408 BRÜLÖR BORUSU D431,5/373 L408	TUBO DO QUEIMADOR D431,5/373 L408	RURA PALNIKA D431,5/373 L408	1
	65312085	СОПЛО ГОРЕЛКИ D431,5/373 L558 BRÜLÖR BORUSU D431,5/373 L558	TUBO DO QUEIMADOR D431,5/373 L558	RURA PALNIKA D431,5/373 L558	1
	65312086	СОПЛО ГОРЕЛКИ D431,5/373 L708 BRÜLÖR BORUSU D431,5/373 L708	TUBO DO QUEIMADOR D431,5/373 L708	RURA PALNIKA D431,5/373 L708	1
2110	65314397	ДЕФЛЕКТОР D300/281/120 DEFLEKTOR D300/281/120	DEFLECTOR D300/281/120	DEFLEKTOR D300/281/120	1
	65314398	ДЕФЛЕКТОР D320/281/130	DEFLECTOR D320/281/130	DEFLEKTOR D320/281/130	1
	65314399	ДЕФЛЕКТОР D330/281/130	DEFLECTOR D330/281/130	DEFLEKTOR D330/281/130	1
2115	65314497	ЦЕНТРИРУ.ЭЛЕМЕНТ ЛИНИЯ ФОРСУН.(N-EKEVO8) MERKEZ.PARÇASI PÜSKÜ.MEM.HATTI(N-EKEVO8)	PEÇA CENTRALIZ. LINEA BOQUIL. (N-EKEVO8)	ELEMENT CENTRUJĄCY UKŁAD DYSZY(N-EKEVO8)	1
	65314498	ЦЕНТРИРУ.ЭЛЕМЕНТ ЛИНИЯ ФОРСУН.(N-EKEVO9) MERKEZ.PARÇASI PÜSKÜ.MEM.HATTI(N-EKEVO9)	PEÇA CENTRALIZ. LINEA BOQUIL. (N-EKEVO9)	ELEMENT CENTRUJĄCY UKŁAD DYSZY(N-EKEVO9)	1
2200	1728777751	КАБЕЛЬ РОЗЖИГА D6,4/D6,4 L1500 AP ATEŞLEME KABLOSU D6,4/D6,4 L1500 AP	CABO ENCENDIDO D6,4/D6,4 L1500 AP	PRZEWÓD ALU. D6,4/D6,4 L1500 AP	1
2350	1728703262	ЭЛЕКТРОД АЖИ. D11X220D3X150 20° L150 D4 ATEŞLEYİ.ELEKT.D11X220D3X150 20° L150 D4	ELETRODO ENC. D11X220 D3X150 20° L150 D4	ELEKTROD.ALU. D11X220 D3X150 20° L150 D4	1

					
2360	68135973	ELECTRODE HOLDER 46X25X2	ELECTRODE HOLDER 46X25X2	ELECTRODE HOLDER 46X25X2	1
2380	65310280	ЛИНИЯ ФОРСУНКИ RDG 1250D35 L860 PÜSKÜRTME MEM.HATTI RDG 1250D35 L860	LÍNEA DE BOQUILLA RDG 1250D35 L860	UKŁAD DYSZY RDG 1250D35 L860	1
	65311817	ЛИНИЯ ФОРСУНКИ RDG 1250D35 L760 PÜSKÜRTME MEM.HATTI RDG 1250D35 L760	LÍNEA DE BOQUILLA RDG 1250D35 L760	UKŁAD DYSZY RDG 1250D35 L760	1
	65311818	ЛИНИЯ ФОРСУНКИ RDG 1250D35 L960 PÜSKÜRTME MEM.HATTI RDG 1250D35 L960	LÍNEA DE BOQUILLA RDG 1250D35 L960	UKŁAD DYSZY RDG 1250D35 L960	1
	65312102	ЛИНИЯ ФОРСУНКИ RDG 1250D35 L560 PÜSKÜRTME MEM.HATTI RDG 1250D35 L560	LÍNEA DE BOQUILLA RDG 1250D35 L560	UKŁAD DYSZY RDG 1250D35 L560	1
2490	65311435	ШЛАНГ DN16 L500 ESNEK DN16 L500	FLEXIVEL DN16 L500	PRZEWÓD GIĘTKI DN16 L500	1
2510	65311407	ЭЛЕКТРОДВИГ. 3KW 230/400V D28 1400TR/MN GM MOTORU 3KW 230/400V D28 1400 TR/MN GMP	MOTOR 3KW 230/400V D28 1400 TR/MN GMP	SILNIK 3KW 230/400V D28 1400 TR/MN GMP	1
	65312104	ЭЛЕКТРОДВИГ. 4KW400/690V D28 1400TR/MN IE3 MOTORU 4KW400/690V D28 1400TR/MN GMP IE3	MOTOR 4KW400/690V D28 1400TR/MN GMP IE3	SILNIK 4KW400/690V D28 1400TR/MN GMP IE3	1
2515	1238795399	СЦЕПЛЕНИЕ D24/28 PW DM18/MW KAPLÍN D24/28 PW DM18/MW	ACOPLAMENTO D24/28 PW DM18/MW	ŁĄCZNIK D24/28 PW DM18/MW	1
	1238795402	СЦЕПЛЕНИЕ D28/38 PW DM22/MW KAPLÍN D28/38 PW DM22/MW	ACOPLAMENTO D28/38 PW DM22/MW	ŁĄCZNIK D28/38 PW DM22/MW	1
2516	1238795424	СЦЕПЛЕНИЕ D24/28 GMP KAPLÍN D24/28 GMP	ACOPLAMENTO D24/28 GMP	ŁĄCZNIK D24/28 GMP	1
	1238795435	СЦЕПЛЕНИЕ D28/38 KAPLÍN D28/38	ACOPLAMENTO D28/38	ŁĄCZNIK D28/38	1
2520	65312206	РЕЛЕ ДАВЛЕНИЯ МАСЛА DSB 158 F931 3-25BAR YAKIT BASINÇ ŞALT. DSB 158 F931 0-25BAR	PRESSOSTATO FUEL DSB 158 F931 0-25BAR	CZUJNIK CIŚ.OLEJU OP.DSB158 F931 0-25BAR	1
2525	65311615	РАЗЪЕМ HIRSCH GDMW3011 WITH SKIRT PRIZ HIRSCH GDMW3011 WITH SKIRT	TOMADA HIRSCH GDMW3011 WITH SKIRT	GNIAZDO HIRSCH GDMW3011 WITH SKIRT	1
2526	65311616	ПРОКЛАДКА GDM 3-21 CONTASI GDM 3-21	GAXETA GDM 3-21	USZCZELKA GDM 3-21	1
2550	65311650	СЕРВОДВИГАТЕ STE4,5 Q3.51/6+КАБЕЛЬ L3000 SERVOMOTOR STE 4,5 Q3.51/6+KABLOSU L3000	SERVOMOTOR STE 4,5 Q3.51/6+CABO L3000	SERWOMOTOR STE 4,5 Q3.51/6+PRZEWÓD L3000	1
2555	65311831	ПРОКЛАДОЧНОЕ HEX15X42 M6-M8 PASPAYI HEX15X42 M6-M8	ESPAÇADOR HEX15X42 M6-M8	ROZPÓRKA HEX15X42 M6-M8	1
2560	65312938	T-ШТУЦЕР P-TV18/18/10L T-RAKOR P-TV18/18/10L	UNIÃO EM T P-TV18/18/10L	T-ZŁĄCZE P-TV18/18/10L	1
2561	65313847	T-ШТУЦЕР P-ELV18L-SV T-RAKOR P-ELV18L-SV	UNIÃO EM T P-ELV18L-SV	T-ZŁĄCZE P-ELV18L-SV	1
2562	65313847	T-ШТУЦЕР P-ELV18L-SV T-RAKOR P-ELV18L-SV	UNIÃO EM T P-ELV18L-SV	T-ZŁĄCZE P-ELV18L-SV	1
2570	65312935	СЦЕПЛЕНИЕ D10/D8X38-90 KAPLÍN D10/D8X38-90	ACOPLAMENTO D10/D8X38-90	ŁĄCZNIK D10/D8X38-90	1
2580	65311412	ПЛАСТИНА СЕРВОДВИГАТЕЛЬ STE SERVOMOTOR STE PLAKA	PRATO DO SERVOMOTOR STE	PŁYTA SERWOMOTOR STE	1
2600	65312284	МОНТ.ВОЖДЕ.ГИДРАВ.БЛОК N8/9&EKEVO8/9E BT HIDROL.UNIT.DUZE.SURME N8/9&EKEVO8/9E BT	MONT.CONDUÇ.UNID.HIDR. N8/9&EKEVO8/9E BT	MONT.SZKOL.AGREG.HYDR. N8/9&EKEVO8/9E BT	1
2610	65311414	ФИЛЬТР РЕШЕТО G1 L90 TYP 112.00 PN16 FILTRE ELEK G1 L90 TYP 112.00 PN16	PENEIRA FILTRO G1 L90 TYP 112.00 PN16	FILTR SITO G1 L90 TYP 112.00 PN16	1
	65311578	ФИЛЬТР ТОПЛИВА RP3/4 PN16 YAKIT FILTRESI RP3/4 PN16	FILTRO FUEL RP3/4 PN16	FILTR OLEJU RP3/4 PN16	1
2700	65311410	НАСОС VBHRG I 410 SO 1700L/H POMPA VBHRG I 410 SO 1700L/H	BOMBA VBHRG I 410 SO 1700L/H	POMPA VBHRG I 410 SO 1700L/H	1
	65312105	НАСОС VBHGRP-I-4-10-So 2200L/H POMPA VBHGRP-I-4-10-So 2200L/H	BOMBA VBHGRP-I-4-10-So 2200L/H	POMPA VBHGRP-I-4-10-So 2200L/H	1
2705	13022666	ЭЛЕКТРОКЛАПАН LUC 321F2523 P8 PG11 19W ELECTROVANA LUC 321F2523 P8 PG11 19W	ELECTROVALVULA LUC 321F2523 P8 PG11 19W	ELEKTROZAWOR LUC 321F2523 P8 PG11 19W	1
2710	13022667	ЭЛЕКТРОКЛАПАН LUC 121F2523 P8 PG11 19W ELECTROVANA LUC 121F2523 P8 PG11 19W	ELECTROVALVULA LUC 121F2523 P8 PG11 19W	ELEKTROZAWOR LUC 121F2523 P8 PG11 19W	1
2750	13019342	ШЛАНГ DN20 M30-M30 L1500 ESNEK DN20 M30-M30 L1500	FLEXIVEL DN20 M30-M30 L1500	PRZEWÓD GIĘTKI DN20 M30-M30 L1500	1
	1488436955	ШЛАНГ DN25 M38-M38 L1500 ESNEK DN25 M38-M38 L1500	FLEXIVEL DN25 M38-M38 L1500	PRZEWÓD GIĘTKI DN25 M38-M38 L1500	1
2800	65312285	РЕГУЛЯТОР (ЛЕВ.) 8.0 (CCW) GR.2 AĞAÇ DÜZENLEMESİ 8.0 (CCW) GR.2	VEIO DE REGULAÇÃO 8.0 (CCW) GR.2	DRZEWO REGULACJA 8.0 (CCW) GR.2	1
	65312292	РЕГУЛЯТОР (ЛЕВ.) 7.0 (CCW) GR.2 AĞAÇ DÜZENLEMESİ 7.0 (CCW) GR.2	VEIO DE REGULAÇÃO 7.0 (CCW) GR.2	DRZEWO REGULACJA 7.0 (CCW) GR.2	1
	65312304	РЕГУЛЯТОР (ЛЕВ.) 7.0 (CCW) AĞAÇ DÜZENLEMESİ 7.0 (CCW)	VEIO DE REGULAÇÃO 7.0 (CCW)	DRZEWO REGULACJA 7.0 (CCW)	1
	65312305	РЕГУЛЯТОР (ЛЕВ.) 8.0 (CCW) AĞAÇ DÜZENLEMESİ 8.0 (CCW)	VEIO DE REGULAÇÃO 8.0 (CCW)	DRZEWO REGULACJA 8.0 (CCW)	1
2810	65311406	НАСОСНЫЙ АГРЕГАТ.SMG1630-I-4-SO-IE3 30BAR POMPA UNITESI SMG1630-I-4-SO-IE3 30BAR	GRUPO DE BOMBA SMG1630-I-4-SO-IE3 30BAR	AGREGAT POMPY SMG1630-I-4-SO-IE3 30BAR	1

		RU		PT		PL		
		TR						
	65312103	НАСОСНЫЙ АГРЕГАТ.SMG1631-I-4-SO-IE3 30BAR POMPA UNITESI SMG1631-I-4-SO-IE3 30BAR		GRUPO DE BOMBA SMG1631-I-4-SO-IE3 30BAR		AGREGAT POMPY SMG1631-I-4-SO-IE3 30BAR		1
5001	1458645325	ФОРСУНКА BER 350 KG 55° CBM PÜSK. MEMESI BER 350 KG 55° CBM		BOQUILLA BER 350 KG 55° CBM		DYSZA BER 350 KG 55° CBM		1
	1458645347	ФОРСУНКА BER 400 KG 50° CBM PÜSK. MEMESI BER 400 KG 50° CBM		BOQUILLA BER 400 KG 50° CBM		DYSZA BER 400 KG 50° CBM		1
	1458698846	ФОРСУНКА DZ 1000 750 KG 80° M14 1-5 PÜSK. MEMESI DZ 1000 750 KG 80° M14 1-5		BOQUILLA DZ 1000 750 KG 80° M14 1-5		DYSZA DZ 1000 750 KG 80° M14 1-5		1
	65311201	ФОРСУНКА DZ 1000 950 KG 80° M14 1-5 PÜSK. MEMESI DZ 1000 950 KG 80° M14 1-5		BOQUILLA DZ 1000 950 KG 80° M14 1-5		DYSZA DZ 1000 950 KG 80° M14 1-5		1
	65312421	ФОРСУНКА DZ1000 800KG 80° M14 1-5 PÜSK. MEMESI DZ1000 800KG 80° M14 1-5		BOQUILLA DZ1000 800KG 80° M14 1-5		DYSZA DZ1000 800KG 80° M14 1-5		1
	65313182	ФОРСУНКА BER 275KG 55° CBM PÜSK. MEMESI BER 275KG 55° CBM		BOQUILLA BER 275KG 55° CBM		DYSZA BER 275KG 55° CBM		1
	65313183	ФОРСУНКА BER 300KG 55° CBM PÜSK. MEMESI BER 300KG 55° CBM		BOQUILLA BER 300KG 55° CBM		DYSZA BER 300KG 55° CBM		1
	65313184	ФОРСУНКА BER 450KG 55° CBM PÜSK. MEMESI BER 450KG 55° CBM		BOQUILLA BER 450KG 55° CBM		DYSZA BER 450KG 55° CBM		1
	65313185	ФОРСУНКА BER 500KG 55° CBM PÜSK. MEMESI BER 500KG 55° CBM		BOQUILLA BER 500KG 55° CBM		DYSZA BER 500KG 55° CBM		1
	65313186	ФОРСУНКА BER 600KG 55° CBM PÜSK. MEMESI BER 600KG 55° CBM		BOQUILLA BER 600KG 55° CBM		DYSZA BER 600KG 55° CBM		1
	65313190	ФОРСУНКА DZ 1000 900 KG 80° M14 1-5 PÜSK. MEMESI DZ 1000 900 KG 80° M14 1-5		BOQUILLA DZ 1000 900 KG 80° M14 1-5		DYSZA DZ 1000 900 KG 80° M14 1-5		1
	65313195	ФОРСУНКА DZ1000 1000KG 80° M14 1-5 PÜSK. MEMESI DZ1000 1000KG 80° M14 1-5		BOQUILLA DZ1000 1000KG 80° M14 1-5		DYSZA DZ1000 1000KG 80° M14 1-5		1
	65313851	ФОРСУНКА BER 550KG 55° CBM PÜSK. MEMESI BER 550KG 55° CBM		BOQUILLA BER 550KG 55° CBM		DYSZA BER 550KG 55° CBM		1
	65313852	ФОРСУНКА DZ1000 550KG 80° M14 1-5 PÜSK. MEMESI DZ1000 550KG 80° M14 1-5		BOQUILLA DZ1000 550KG 80° M14 1-5		DYSZA DZ1000 550KG 80° M14 1-5		1
	65313853	ФОРСУНКА DZ1000 700KG 80° M14 1-5 PÜSK. MEMESI DZ1000 700KG 80° M14 1-5		BOQUILLA DZ1000 700KG 80° M14 1-5		DYSZA DZ1000 700KG 80° M14 1-5		1
	65313854	ФОРСУНКА DZ1000 650KG 80° M14 1-5 PÜSK. MEMESI DZ1000 650KG 80° M14 1-5		BOQUILLA DZ1000 650KG 80° M14 1-5		DYSZA DZ1000 650KG 80° M14 1-5		1
	65313855	ФОРСУНКА DZ1000 850KG 80° M14 1-5 PÜSK. MEMESI DZ1000 850KG 80° M14 1-5		BOQUILLA DZ1000 850KG 80° M14 1-5		DYSZA DZ1000 850KG 80° M14 1-5		1
5002	65312446	БЛОК УПРАВ. BT330 ОСНОВНЫЕ НАСТРОЙКИ KUTU BT330 TEMEL AYARI		PROGRAMADOR BT330 CONFIGUR. BÁSICA		MODUŁ BT330 USTAWIENIE PODSTAWOWE		1
	65312448	БЛОК УПРАВ. BT320 ОПРЕДЕЛ. ПАРАМ. KUTU BT320 ÖZEL AYAR		PROGRAMADOR BT320 CONFIG. ESPECÍFICA		MODUŁ BT320 SPECYFICZNE USTAWIENIE		1
	65312449	БЛОК УПРАВ. BT330 ОПРЕДЕЛ. ПАРАМ. KUTU BT330 ÖZEL AYAR		PROGRAMADOR BT330 CONF. ESPECÍFICA		MODUŁ BT330 SPECYFICZNE USTAWIENIE		1
5015	65311790	МОДУЛЬ LCM100 (LSB-M 667R0500-1) MODÜLÜ LCM100 (LSB-M 667R0500-1)		MÓDULO LCM100 (LSB-M 667R0500-1)		MODUL LCM100 (LSB-M 667R0500-1)		1
5020	65311918	МОДУЛЬ VSM100 (LSB-M 667R0200-1) VSM100 MODÜLÜ (LSB-M 667R0200-1)		MÓDULO VSM100 (LSB-M 667R0200-1)		MODUL VSM100 (LSB-M 667R0200-1)		1
5025	65312275	КОНСОЛЬ LAM F152 659G0501 KONSOL LAM F152 659G0501		CONSOLE LAM F152 659G0501		KONSOLA LAM F152 659G0501		1
5035	65312550	ДАТЧИК NAMUR NI5-G12-Y1+КАБЕЛЬ 5 METER NAMUR SENSORÜ NI5-G12-Y1+KABLOSU 5 METER		SENSOR NAMUR NI5-G12-Y1+CABO 5 METRO		CZUJNIK NAMUR NI5-G12-Y1+PRZEWÓD 5 METER		1
5100	65312285	РЕГУЛЯТОР (ЛЕВ.) 8.0 (CCW) GR.2 AĞAÇ DÜZENLEMESİ 8.0 (CCW) GR.2		VEIO DE REGULAÇÃO 8.0 (CCW) GR.2		DRZEWO REGULACJA 8.0 (CCW) GR.2		1
	65312292	РЕГУЛЯТОР (ЛЕВ.) 7.0 (CCW) GR.2 AĞAÇ DÜZENLEMESİ 7.0 (CCW) GR.2		VEIO DE REGULAÇÃO 7.0 (CCW) GR.2		DRZEWO REGULACJA 7.0 (CCW) GR.2		1
	65312293	РЕГУЛЯТОР (ЛЕВ.) 9.0 (CCW) GR.2 AĞAÇ DÜZENLEMESİ 9.0 (CCW) GR.2		VEIO DE REGULAÇÃO 9.0 (CCW) GR.2		DRZEWO REGULACJA 9.0 (CCW) GR.2		1
	65312302	РЕГУЛЯТОР (ЛЕВ.) 5.0 (CCW) AĞAÇ DÜZENLEMESİ 5.0 (CCW)		VEIO DE REGULAÇÃO 5.0 (CCW)		DRZEWO REGULACJA 5.0 (CCW)		1
	65312303	РЕГУЛЯТОР (ЛЕВ.) 6.0 (CCW) AĞAÇ DÜZENLEMESİ 6.0 (CCW)		VEIO DE REGULAÇÃO 6.0 (CCW)		DRZEWO REGULACJA 6.0 (CCW)		1
	65312304	РЕГУЛЯТОР (ЛЕВ.) 7.0 (CCW) AĞAÇ DÜZENLEMESİ 7.0 (CCW)		VEIO DE REGULAÇÃO 7.0 (CCW)		DRZEWO REGULACJA 7.0 (CCW)		1
	65312305	РЕГУЛЯТОР (ЛЕВ.) 8.0 (CCW) AĞAÇ DÜZENLEMESİ 8.0 (CCW)		VEIO DE REGULAÇÃO 8.0 (CCW)		DRZEWO REGULACJA 8.0 (CCW)		1
5300	65114033	КОНТРОЛЛЕР SIEM RWF55.50A9 96X48 KONTROL SIHAZI SIEM RWF55.50A9 96X48		REGULADOR SIEM RWF55.50A9 96X48		REGULATOR SIEM RWF55.50A9 96X48		1
5500	65312274	ФОТОРЕЗИСТОР FFS08-UV1 659D31 - 5M W/O HÜCRE FFS08-UV1 659D31 - 5M W/O		FOTOCÉLULA FFS08-UV1 659D31 - 5M W/O		FOTOKOMÓRKA FFS08-UV1 659D31 - 5M W/O		1
5699	65312244	СОЕДИНИТЕЛЬ.КАБЕЛЬ BT300/LCM100 667P0515 BAĞLANTI KABLOSU BT300/LCM100 667P0515		CABO DE CONEXÃO BT300/LCM100 667P0515		POŁĄCZENIOW. KABEL BT300/LCM100 667P0515		1

CB-EKEVO8/9 L-E

Oil burner

<https://partsburners.com>  
8 (800) 600-01-34