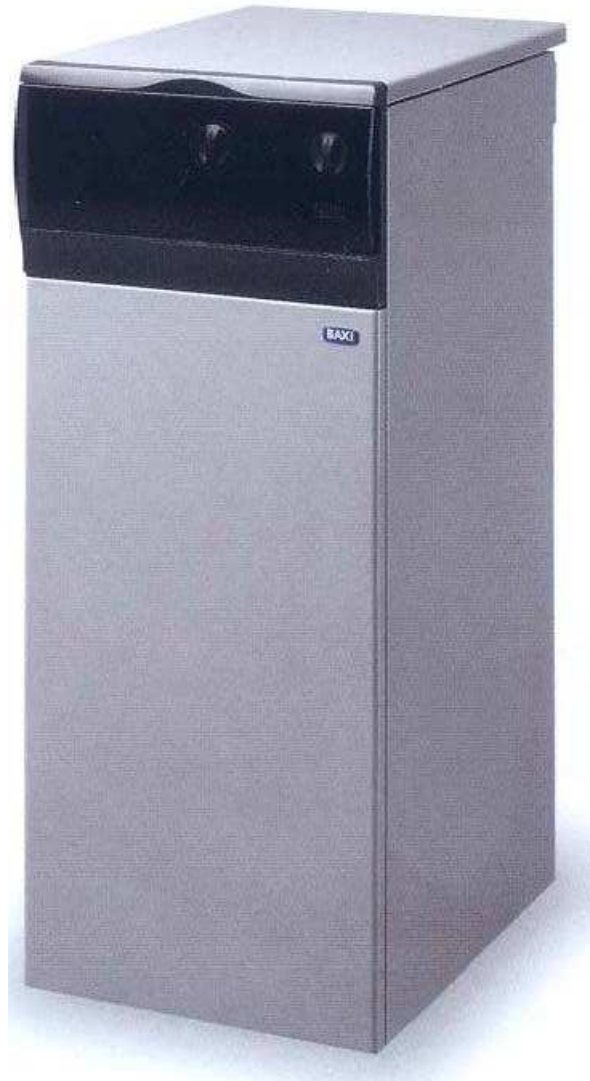


BAXI

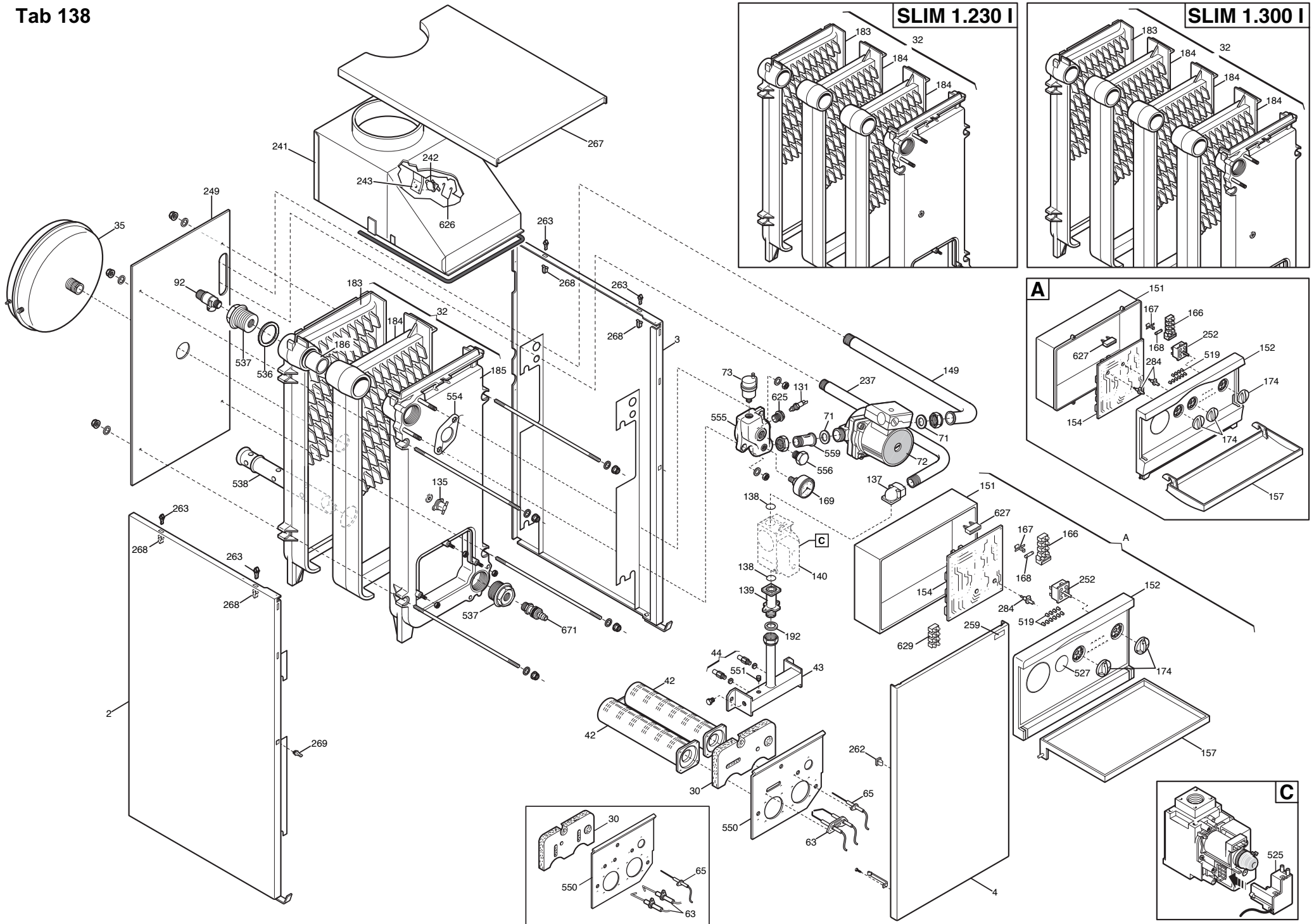


SPARE PARTS CATALOGUE

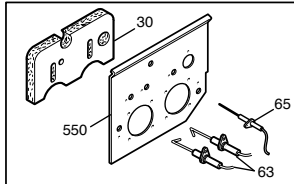
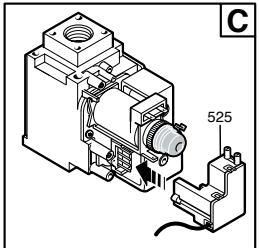
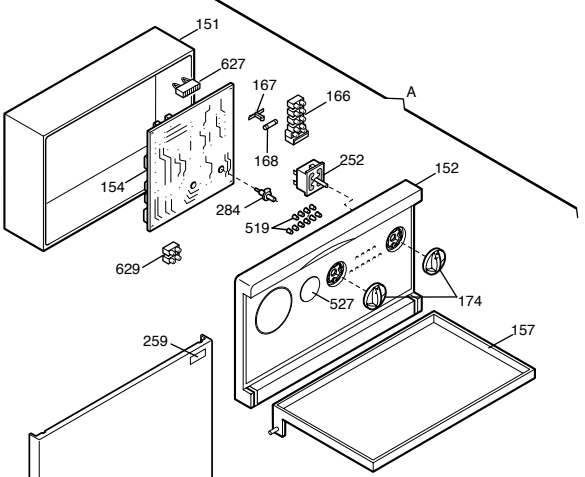
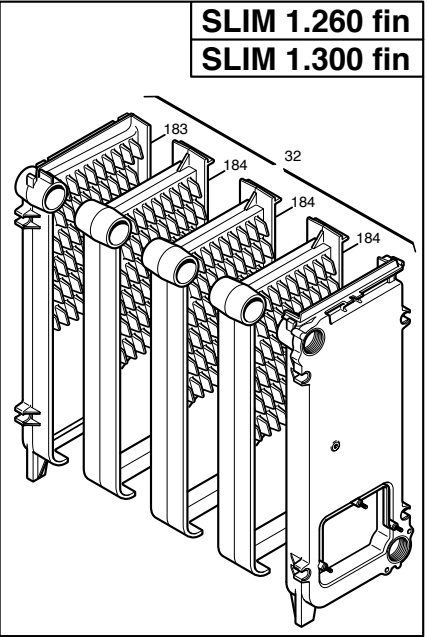
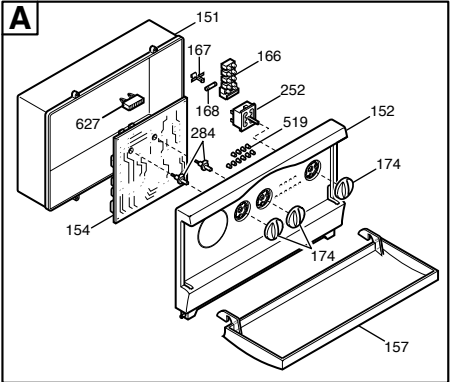
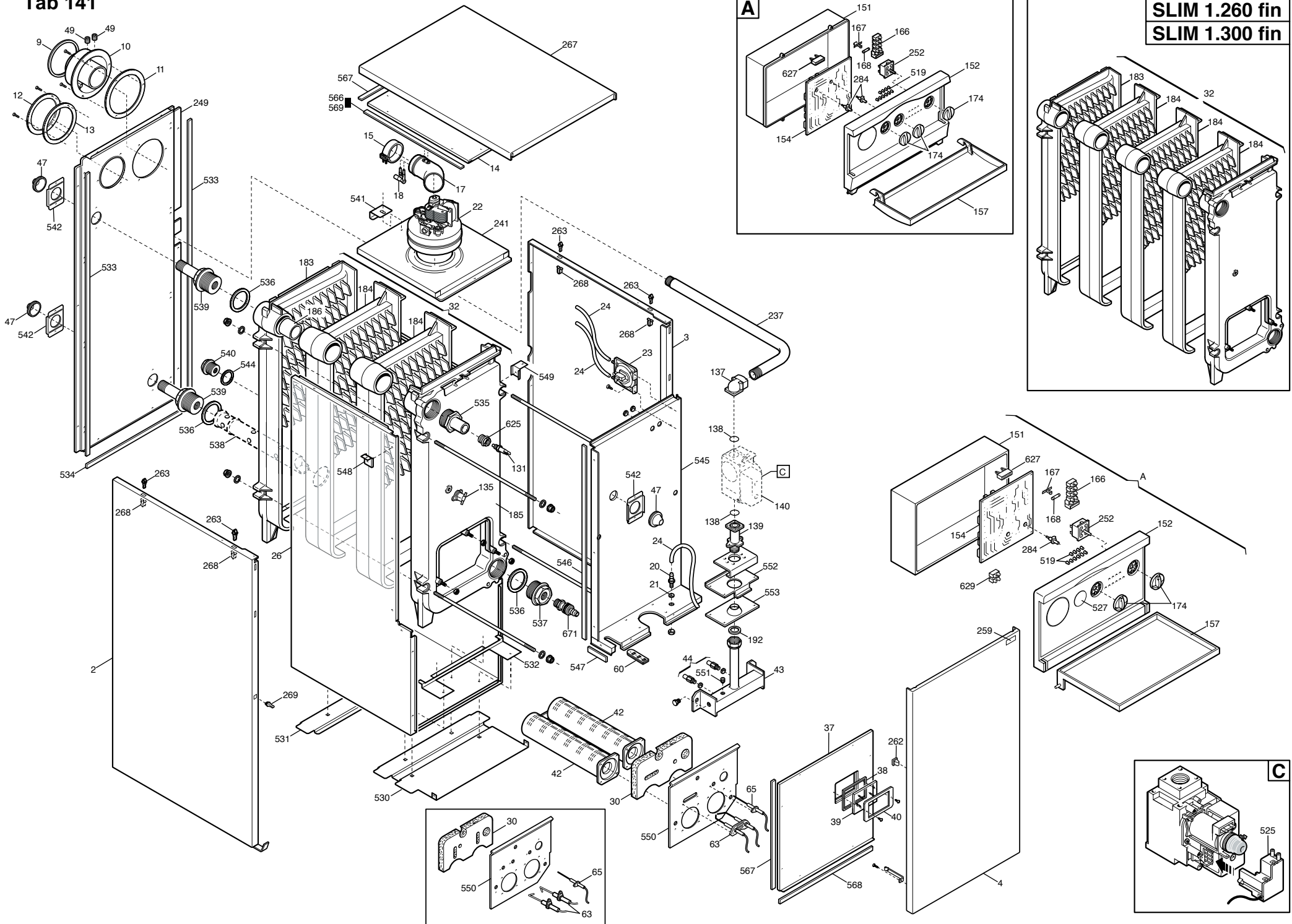
- May 2016 -

TABELLA COLLEGAMENTO CODICE CALDAIA - ESPLOSO
TABLEAU CONNECTION CODEX CHAUDIERE - VUE ECLATEE
BOILERS CONNECTION BOARD - EXPLODED VIEW

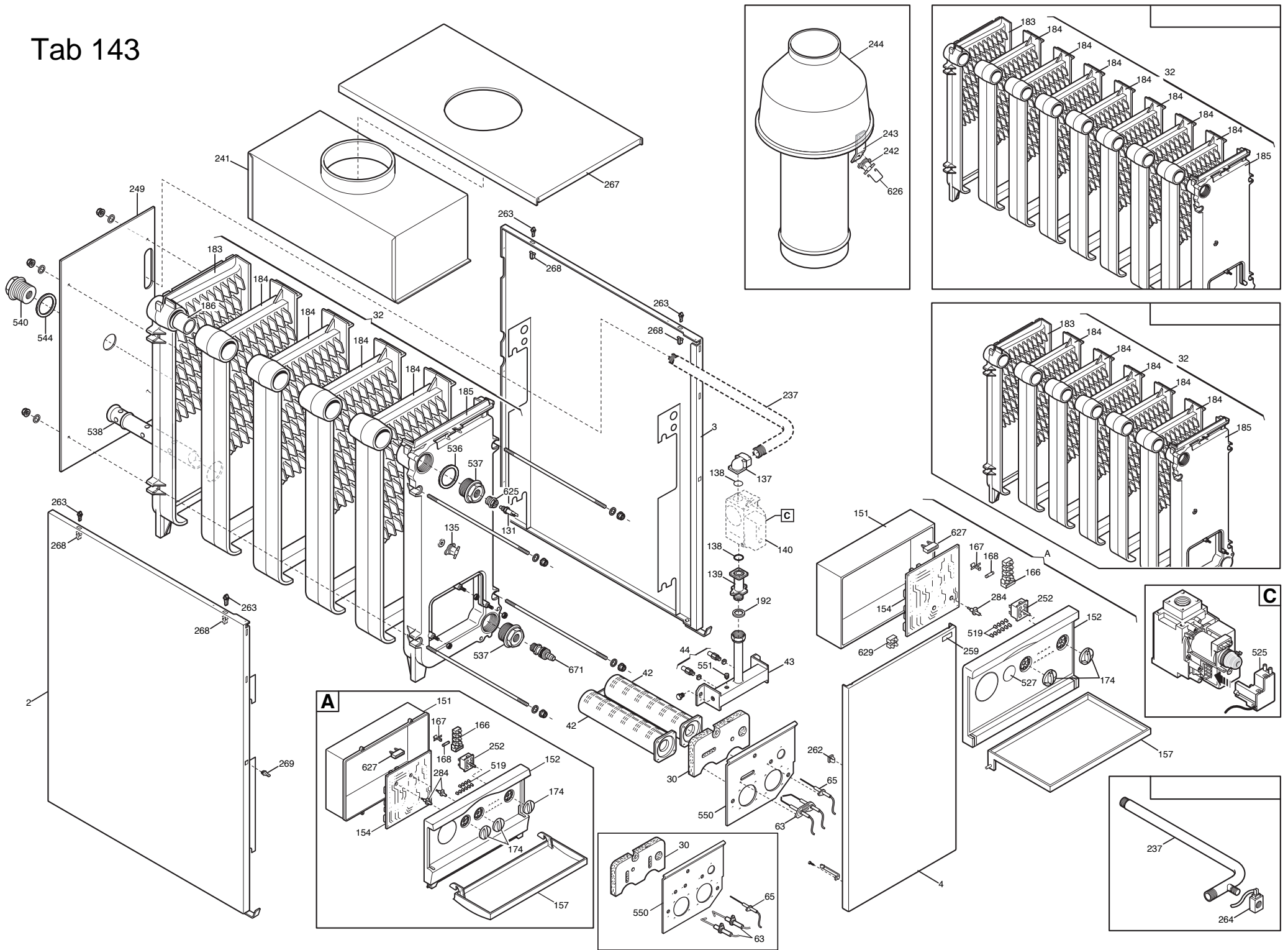
BOILER CODE	BOILER DESCRIPTION	EXPLODED REF.
CODICE CALDAIA	DESCRIZIONE CALDAIA	RIF. ESPLOSO
CODIGO CALDERA	DESCRIPCION CALDERA	REF. EXPLOSIONADO
CODE CHAUDIÈRE	DESCRIPTION CHAUDIÈRE	RÉF. EXPLOSÉE
WSB431153015/6/7	SLIM 1.150 i	Tab 138
WSB435233014/5/6	SLIM 1.230 Fi	Tab 139
WSB435233474/5/6	SLIM 1.230 FiN	Tab 141
WSB431233015/6/7	SLIM 1.230 i	Tab 138
WSB431233475/6/7	SLIM 1.230 iN	Tab 142
WSB435303014/5/6	SLIM 1.300 Fi	Tab 139
WSB435303474/5/6	SLIM 1.300 FiN	Tab 141
WSB431303015/6/7	SLIM 1.300 i	Tab 138
WSB431303475/6/7	SLIM 1.300 iN	Tab 142
WSB431403474/5/6	SLIM 1.400 iN	Tab 143
WSB431493474/5/6	SLIM 1.490 iN	Tab 143
WSB431623474/5/6	SLIM 1.620 iN	Tab 143



Tab 141



Tab 143



Pos	Code	Description code	WSB431153015/6/7 1.150 IN	WSB43123015/6/7 1.230 IN	WSB431303015/6/7 1.300 IN	WSB431303015/6/7 1.230 IN	WSB43123475/6/7 1.230 IN	WSB431303015/6/7 1.300 IN	WSB431403474/5/6 1.400 IN	WSB431493474/5/6 1.490 IN	WSB431623474/5/6 1.620 IN	WSB431623474/5/6 1.620 IN	WSB43233014/5/6 1.230 IN	WSB43233014/5/6 1.230 IN	WSB43353014/5/6 1.300 IN	WSB43353014/5/6 1.300 IN	WSB43303474/5/6 1.300 IN	WSB43303474/5/6 1.300 IN	To serial number	From serial number	Intercha ngeable:	
2	3618370	LEFT PANEL ASSEMBLY -3E-	•																			
2	3618390	LEFT PANEL ASS.		•	•																	
2	3618410	LEFT PANEL ASSEMBLY 5E			•		•															
2	3618430	LEFT PANEL ASSEMBLY 6E						•														
2	3618450	LEFT PANEL ASEMBLY 7E							•													
2	3618470	LEFT PANEL ASSEMBLY 9E								•												
2	3618630	LEFT PANEL 4E 039 FF											•		•							
2	3618650	LEFT PANEL 039 5E FF													•		•					
3	3618360	RIGHT PANEL ASSEMBLY -3E- 039	•																			
3	3618380	RIGHT PANEL ASS.		•	•																	
3	3618400	RIGHT PANEL ASSEMBLY 5E			•		•															
3	3618420	RIGHT PANEL ASSEMBLY 6E						•														
3	3618440	RIGHT PANEL ASSEMBLY 7E							•													
3	3618460	RIGHT PANEL ASSEMBLY 9E								•												
3	3618620	RIGHT PANEL 4E 039 FF											•		•							
3	3618640	RIGHT PANEL ASSEMBLY -5E-FF													•		•					
4	3618500	DOOR ASSEMBLY 350 MM	•	•	•	•	•	•	•	•												
4	3618680	DOOR ASSEMBLY 350 MM FF											•	•	•	•						
6	3200950	NUT G1	•	•	•								•	•								
9	3105470	FLUE RESTRICTORE D.76											•		•							
9	5108700	FLUE RESTRICTOR D.80													•		•					
10	5207060	FLUE ADAPTOR											•	•	•	•						
11	5407890	GASKET ADAPTOR											•	•	•	•						
12	5108690	PLATE BLANKING											•	•	•	•						
13	5407400	SUCTION CAP GASKET											•	•	•	•						
14	3108540	SEALED CH.COVER 4E 039 FF											•		•							
14	3108550	SEALED CH.COVER 5E 039 FF													•		•					
15	600530	JOINT ASSEMBLY											•	•	•	•						

Slim

12/05/2016

Pos	Code	Description code	WSB431153015/6/7 1.150 IN	WSB43123015/6/7 1.230 IN	WSB431303015/6/7 1.300 IN	WSB431303015/6/7 1.230 IN	WSB431233474/5/6 1.230 IN	WSB431493474/5/6 1.490 IN	WSB431403474/5/6 1.400 IN	WSB431303475/6/7 1.300 IN	WSB431623474/5/6 1.620 IN	WSB43123014/5/6 1.230 IN	WSB43323014/5/6 1.300 IN	WSB4333014/5/6 1.230 IN	WSB4333014/5/6 1.300 IN	WSB4333014/5/6 1.300 IN	To serial number	From serial number	Intercha ngeable:
17	5211090	BEND - FAN OUTLET																	
18	5407050	PRESSURE SENSING VENTURI																	
20	5207050	HOSE ADAPTER M6																	
21	5402050	WASHER-SEALING																	
22	5653850	FAN - 80																	
23	628620	PRESS.SWITCH ASS. 0,9mbar HONEYW.																	
23	710790000	FLUE PRESS.SWITCH 90-75 Pa HUBA															1448		
23	721890400	FLUE PRES. SWITCH 90-75Pa HUBA																1449	YES
24	5402490	VALVE PRESSURE PIPE																	
26	3108300	SEALED CHAMBER CASE 4e																	
26	3108310	SEALED CHAMBER CASE 5E																	
30	3203100	RAMP SHIELD INSULATION 2 IGNIT	•	•	•	•	•	•	•	•	•	•	•	•	•	•			
32	3611660	HEAT EXCHANGER ASSEMBLY 3E	•																
32	3611670	HEAT EXCHANGER ASSEMBLY		•		•													
32	3611680	HEAT EXCHANGER ASSEMBLY 5E			•		•												
32	3611690	HEAT EXCHANGER ASSEMBLY 6E						•											
32	3611700	HEAT EXCHANGER ASSEMBLY 7E							•										
32	3611710	BOILER HEAT EXCHANGER 9E									•								
32	3616870	HEAT EXCHANGER ASSEMBLY 4E FF										•		•					
32	3616880	HEAT EXCHANGER ASSEMBLY 5E FF											•		•				
35	3616830	EXPANSION VESSEL										•	•						
35	9930020	EXPANSION VESSEL 10 L.	•	•	•														
37	3616920	SEALED CHAMBER CHEST										•	•	•	•				
38	5401610	VIEWING WINDOW GASKET										•	•	•	•				
39	5203930	VIEWING WINDOW										•	•	•	•				
40	5103360	SURROUND - VIEWING WINDOW										•	•	•	•				
42	3602420	MULTIGAS BURNER 3E	•																
42	3602430	MULTIGAS BURNER 4E		•		•						•		•					

Slim

12/05/2016

Pos	Code	Description code	WSB431153015/6/7 1.150 IN	WSB43123015/6/7 1.230 IN	WSB431303015/6/7 1.300 IN	WSB431233475/6/7 1.230 IN	WSB431303475/6/7 1.300 IN	WSB431403474/5/6 1.400 IN	WSB431493474/5/6 1.490 IN	WSB431623474/5/6 1.620 IN	WSB43233014/5/6 1.230 IN	WSB4335303014/5/6 1.300 IN	WSB435233474/5/6 1.230 IN	WSB4353303014/5/6 1.300 IN	WSB4353303474/5/6 1.230 IN	WSB4353303474/5/6 1.300 IN	To serial number	From serial number	Intercha ngeable:
42	3602440	MULTIGAS BURNER 5E			•	•						•		•					
42	3602450	MULTIGAS BURNER 6E					•												
42	3602460	MULTIGAS BURNER 7E							•										
42	3602480	MULTIGAS BURNER 9E								•									
43	3614390	GAS RAMP -039 TANDEM-	•	•	•	•	•	•	•	•	•	•	•	•	•	•			
44	609520	NATURAL GAS INJECTORS KIT -3E-	•																
44	609530	NATURAL GAS INJECTORS KIT 4E		•		•					•		•						
44	609540	NATURAL GAS INJECTOR KIT 5E			•		•					•		•					
44	609550	NATURAL GAS INJECTOR KIT 6E						•											
44	609560	NATURAL GAS INJECTOR KIT 7E							•										
44	609570	NATURAL GAS INJECTORS KIT 9E								•									
44	3607110	LPG INJECTORS 3E	•																
44	3607120	LPG INJECTORS 4E		•		•					•		•						
44	3607130	LPG INJECTORS 5E			•		•					•		•					
44	3607140	LPG INJECTORS 6E						•											
44	3607150	LPG INJECTORS 7E							•										
44	3607160	LPG INJECTORS 9E								•									
47	5404740	GAS PIPE GROMMET									•	•	•	•					
49	5207070	FLUE SAMPLE PLUG									•	•	•	•					
60	5406600	GROMMET ELECTRODE LEADS									•	•	•	•					
63	8620350	IGNITION ELECTRODE	•	•	•	•	•	•	•	•	•	•	•	•	•	•			
65	8620290	IONIZATION ELECTRODE & CABLE	•	•	•	•	•	•	•	•	•	•	•	•	•	•			
71	5405000	SEALING WASHER - G1	•	•	•						•	•							
72	3611300	PUMP (UPS 15-50 G1 H6)	•	•	•						•	•							
73	5600731	AUTOMATIC AIR VENT VALVE 3/8	•	•	•						•	•							
87	3616900	HEATING RETURN PIPE FF									•	•							
92	9950600	SAFETY VALVE 3 BAR	•	•	•						•	•							
131	8434820	TEMPERATURE SENSOR	•	•	•	•	•	•	•	•	•	•	•	•	•	•			

Slim

12/05/2016

Pos	Code	Description code	WSB431153015/6/7 1.150 IN	WSB43123015/6/7 1.230 IN	WSB431303015/6/7 1.300 IN	WSB431303015/6/7 1.230 IN	WSB431233475/6/7 1.230 IN	WSB431303475/6/7 1.300 IN	WSB431403474/5/6 1.400 IN	WSB431493474/5/6 1.490 IN	WSB431623474/5/6 1.620 IN	WSB43233014/5/6 1.230 IN	WSB43303014/5/6 1.300 IN	WSB433303014/5/6 1.230 IN	WSB433303014/5/6 1.300 IN	WSB433303014/5/6 1.300 IN	To serial number	From serial number	Intercha ngeable:	
267	3108840	TOP PANEL -5E-			•		•													
267	3108850	TOP PANEL -6E-							•											
267	3108860	TOP PANEL-7E-								•										
267	3108870	TOP PANEL 9E									•									
267	3109140	COVER BOILER 4E 039 FF 9007										•		•						
267	3109150	TOP PANEL 5E											•		•					
268	3400380	CLIP - SIDE PANELS - FEMALE	•	•	•	•	•	•	•	•	•	•	•	•	•	•				
269	3402700	CLIP - SIDE PANELS - MALE	•	•	•	•	•	•	•	•	•	•	•	•	•	•				
284	5405990	DRIVE PIN	•	•	•	•	•	•	•	•	•	•	•	•	•	•				
400	5205940	PLUG G 3/8										•		•						
519	5407780	LENS - NEON	•	•	•	•	•	•	•	•	•	•	•	•	•	•				
525	711565600	IGNITER VZ 4/25	•	•	•	•	•	•	•	•	•	•	•	•	•	•				
527	5408000	BLANKING PLATE - FACIA	•	•	•	•	•	•	•	•	•	•	•	•	•	•				
530	3108270	FRONTAL U TRAVERSE										•	•	•	•					
531	3108290	U-SHAPED REAR SUPPORT -FF-										•	•	•	•					
532	3108280	EXCHANGER POSITIONING SUPPORT										•	•	•	•					
533	3401500	SEALED CHAMBER GASKET L-828 MM										•	•	•	•					
534	3401480	SEALED CHAMBER GASKET L-300 MM										•	•	•	•					
535	3202820	FRONTAL SPACER 039 FF G1/										•	•							
535	3202840	FRONTAL SPACER G1 1/4-G1/2 FF												•	•					
536	3400530	GASKET 1" 1/4" "	•	•	•	•	•	•	•	•	•	•	•	•	•	•				
537	3101570	CAP G1" 1/4" "	•	•	•	•	•	•	•	•	•	•	•	•	•	•				
538	3101190	FLOW DISTRIBUTOR -4/5 ELEM.				•								•						
538	3101200	FLOW DISTRIBUTOR -6/7/9 ELEM.							•	•	•									
538	3101210	FLOW DISTRIBUTOR -3 ELEM. IONO	•																	
538	3101220	FLOW DISTRIBUTOR -4 ELEM. IONO		•								•								
538	3101230	FLOW DISTRIBUTOR -5 ELEM. IONO			•								•							
539	3616890	REAR JUNCTION ELEMENT 039 FF										•	•	•	•					

<https://partsburners.com>
8 (800) 600-01-34