

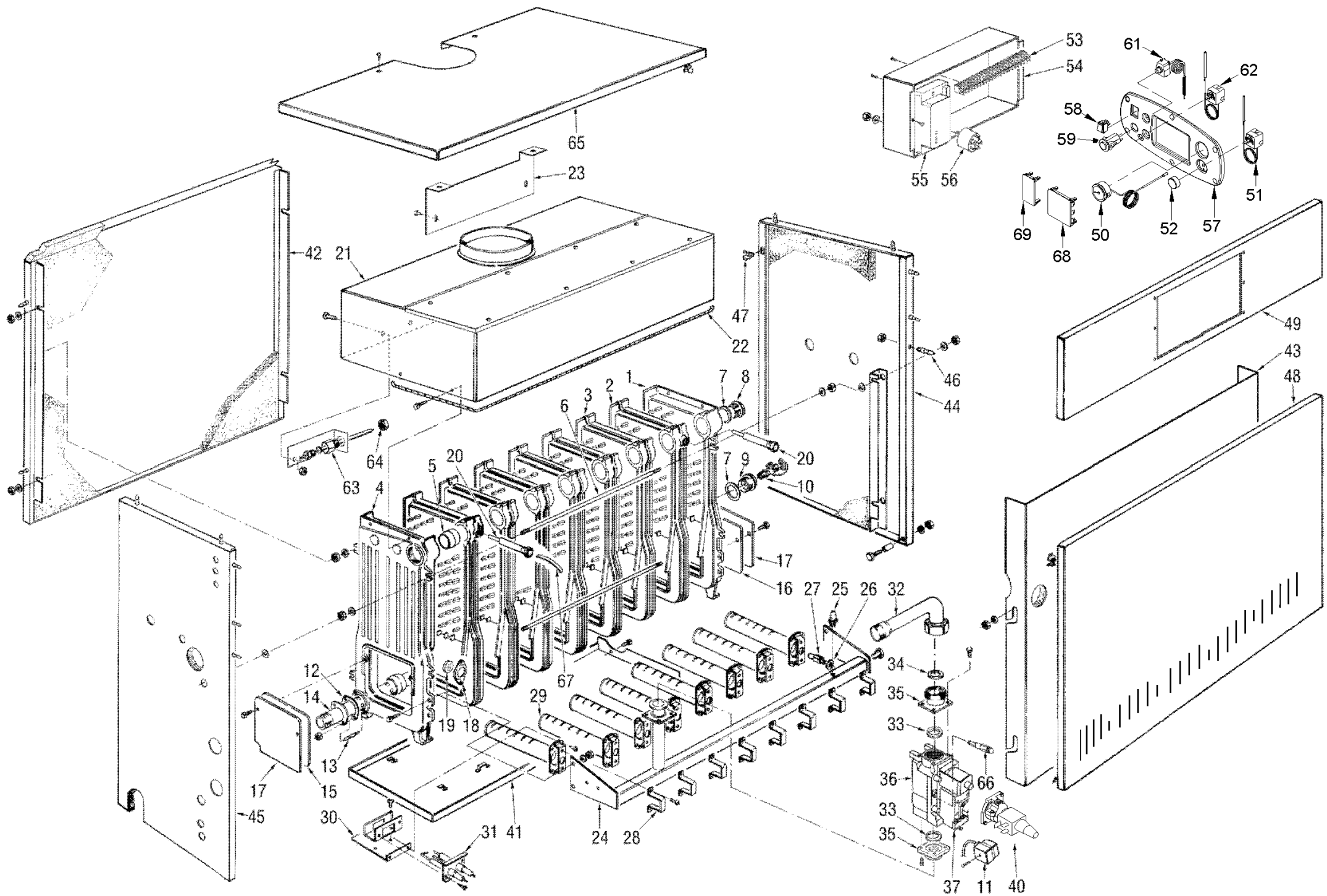
**BAXI**



# **SLIM HPS**

**SPARE PARTS CATALOGUE**

**- September 2016 -**



POS.	CODE	DESCRIPTION	SLIM HPS 1.80 711460001	SLIM HPS 1.99 711460101	SLIM HPS 1.110 711460201	UNTIL TO	FROM TO	INTERCHANGEABLE
1	711554200	RIGHT HAND END SECTION	•	•	•			
2	711554500	INTERMEDIATE SECTION WITH DRILL	•	•	•			
3	711552700	INTERMEDIATE SECTION	•	•	•			
4	711552600	LEFT HAND END SECTION	•	•	•			
5	711555200	PUSH NIPPLE 1-1/2"	•	•	•			
6	711549900	TIE-ROD M10X875	•					
006A	711550000	TIE-ROD M10X1075		•				
006B	711558400	TIE-ROD M10X1175			•			
7	711547600	GASKET Ø 47,3X61X2	•	•	•			
8	711547700	PLUG 1-1/2"	•	•	•			
9	711547800	REDUCER 1-1/2"X3/4"	•	•	•			
10	711550800	DRAIN COCK 3/4"	•	•	•			
11	711555900	"INECO" COIL RECTIFIED CONNECTO	•	•				
011A	711556100	COIL CONNECTOR			•			
12	711551700	FLANGE OVAL GASKET	•	•	•			
13	711550200	STUD M10X33	•	•	•			
14	711552800	WATER DISTRIBUTOR 1-1/2"	•	•				
014A	711552900	WATER DISTRIBUTOR			•			
15	711553000	COMBUSTION CHAMBER DOOR INSULAT	•	•	•			
16	711553100	COMBUST. CHAMBER REAR DOOR INSU	•	•	•			
17	711550600	COMBUSTION CHAMBER DOOR	•	•	•			
18	711551300	SIGHT FRAME	•	•	•			
19	711550700	SIGHT GLASS	•	•	•			
20	711548100	BULB HOLDER 1/2" L=190	•	•	•			
21	711548200	SMOKE CHAMBER	•					
021A	711548300	SMOKE CHAMBER		•				
021B	711548400	SMOKE CHAMBER			•			
22	711547100	GLASS FIBRE SEALING CORD Ø 10	•	•	•			
23	711556900	TOP COVER SUPPORT	•	•	•			
24	711553200	BURNER MANIFOLD	•					
024A	711553300	BURNER MANIFOLD		•				
024B	711553400	BURNER MANIFOLD			•			
25	711551000	PRESSURE TEST NIPPLE Ø 1/8"	•	•	•			
26	711550900	ALUMINIUM WASHER Ø 10	•	•	•			
27	711551500	NOZZLE Ø 2,95	•	•	•			
027A	711551400	NOZZLE Ø 1,70N FOR LPG	•	•	•			
28	711552500	BURNER SECURING BRACKET	•	•	•			
29	711552400	BURNER BAR TYPE 928/9	•	•	•			
30	711553500	PILOT/ELECTRODE SUPPORT	•	•	•			
31	711549400	ELECTRODES IGNITION-IONISATION	•	•	•			
32	711556300	GAS INLET PIPE	•	•				
032A	711556400	GAS INLET PIPE			•			
33	711547500	GASKET NPR 24X35X4	•	•				
34	711547400	GASKET Ø 19.5X27X3	•	•				
35	711554800	SQUARE FLANGE WITH 1" CONNECTIO	•	•				

## Spare Parts Catalogue

POS.	CODE	DESCRIPTION	SLIM HPS 1.80 711460001	SLIM HPS 1.99 711460101	SLIM HPS 1.110 711460201	UNTIL TO	FROM TO	INTERCHANGEABLE
035A	711556700	SQUARE FLANGE 3/4" FOR GAS VALV			•			
36	711552100	HONEYWELL GAS VALVE VR4605C 113	•					
036A	711552200	HONEYWELL GAS VALVE VR4605CB 10		•				
036B	711552300	HONEYWELL GAS VALVE			•			
37	711551200	HONEYWELL GAS VALVE OPERATOR V4	•	•				
40	711551100	MODULATOR V4336A 3>20 MBAR MET	•	•	•			
40A	722006200	MODULATOR V4336A GPL	•	•	•			
41	711548500	TRAY	•					
041A	711548600	TRAY		•				
041B	711548700	TRAY			•			
42	711553600	CASING REAR PANEL	•					
042A	711553700	CASING REAR PANEL		•				
042B	711553800	CASING REAR PANEL			•			
43	711553900	CASING INNER FRONT PANEL	•					
043A	711554000	CASING INNER FRONT PANEL		•				
043B	711554100	CASING INNER FRONT PANEL			•			
44	711548800	CASING RIGHT HAND SIDE PANEL	•	•	•			
45	711548900	CASING LEFT HAND SIDE PANEL	•	•	•			
46	711547200	PIN M5 ZN	•	•	•			
47	711547300	SPRING CLIP	•	•	•			
48	711557500	CASING FRONT DOOR	•					
048A	711557600	CASING FRONT DOOR		•				
048B	711557700	CASING FRONT DOOR			•			
49	711557800	CASING FRONT UPPER PANEL	•					
049A	711557900	CASING FRONT UPPER PANEL		•				
049B	711558000	CASING FRONT UPPER PANEL			•			
50	711554300	THERMOMETER	•	•	•			
51	711554700	ADJUSTABLE BOILER STAT TRZ	•	•	•			
52	711555700	KNOB Ø 35	•	•	•			
53	711548000	TERMINAL STRIP	•	•	•			
54	711555300	CONTROL PANEL PROTECTING COVER	•	•	•			
55	711554900	BRAHMA FM11 CONTROL BOX	•	•		4635		
55	766484600	CONTROL BOX+CONNECTORS ASS.	•	•			4636	YES
055A	711555000	BRAHMA DTM12 CONTROL BOX			•	4635		
055A	766484700	BRAHMA DTM12 CONTROL BOX			•		4636	YES
56	711556600	ANTI-JAMMING FILTER	•	•	•			
57	711555400	CONTROL PANEL	•	•	•			
58	711550500	SWITCH WITH WARNING LIGHT	•	•	•			
59	711551800	RESET KNOB	•	•	•			
61	711550300	H.L. STAT 100°C	•	•	•			
62	711550400	SMOKE STAT	•	•	•			
63	711551900	BULB HOLDER REDUCER	•	•	•			
64	711554400	BRASS NUT M12X1	•	•	•			
65	711558100	CASING TOP COVER	•					
065A	711558200	CASING TOP COVER		•				
065B	711558300	CASING TOP COVER			•			
66	711556200	L.P.G. ADAPTOR	•	•				
67	711547900	CONTACT SPRING	•	•	•			

## Spare Parts Catalogue

POS.	CODE	DESCRIPTION	SLIM HPS 1.80 711460001	SLIM HPS 1.99 711460101	SLIM HPS 1.110 711460201	UNTIL TO	FROM TO	INTERCHANGEABLE
68	711558500	PLASTIC PLUG	•	•	•			
69	711554600	PLASTIC PLUG	•	•	•			
700	711549000	COMPLETE CONTROL PANEL	•	•				
701	711556800	CONNECTION KIT FOR RVA43 PROGRA	•	•	•			
702	711557000	7 POLE CONNECTOR FOR CONTROL BO	•	•				
703	711557100	4 POLE CONNECTOR FOR CONTROL BO	•	•				
704	711555800	GAS VALVE CONNECTOR	•	•				
705	711555500	IGNITION ELECTRODE CABLE	•	•	•			
706	711555100	CABLE FOR IONISATION ELECTRODE	•	•	•			
707	711551600	SET BOILER ASSEMBLING TOOLS	•	•	•			
708	711556500	AIR/SMOKE TEST PRESSURE POINT	•	•	•			
709	711555600	FUSE F3,15A 250V	•	•	•			
710	711552000	CLEANING BRUSH	•	•	•			
711	711549300	GAS FIRED C.I. BOILER BLOCK	•					
712	711549500	GAS FIRED C.I. BOILER BLOCK		•				
713	711549600	GAS FIRED C.I. BOILER BLOCK			•			
714	711549100	COMPLETE CONTROL PANEL			•			
715	711557200	4 POLE STOCKO CONNECTOR J4			•			
716	711557300	7 POLE STOCKO CONNECTOR J1			•			
717	711557400	3 POLE STOCKO CONNECTOR J3			•			
718	711556000	CONNECTOR - CABLE L=800			•			
719	711549200	L.P.G. CONVERSION KIT	•					
720	711549700	L.P.G. CONVERSION KIT		•				
721	711549800	L.P.G. CONVERSION KIT			•			

