

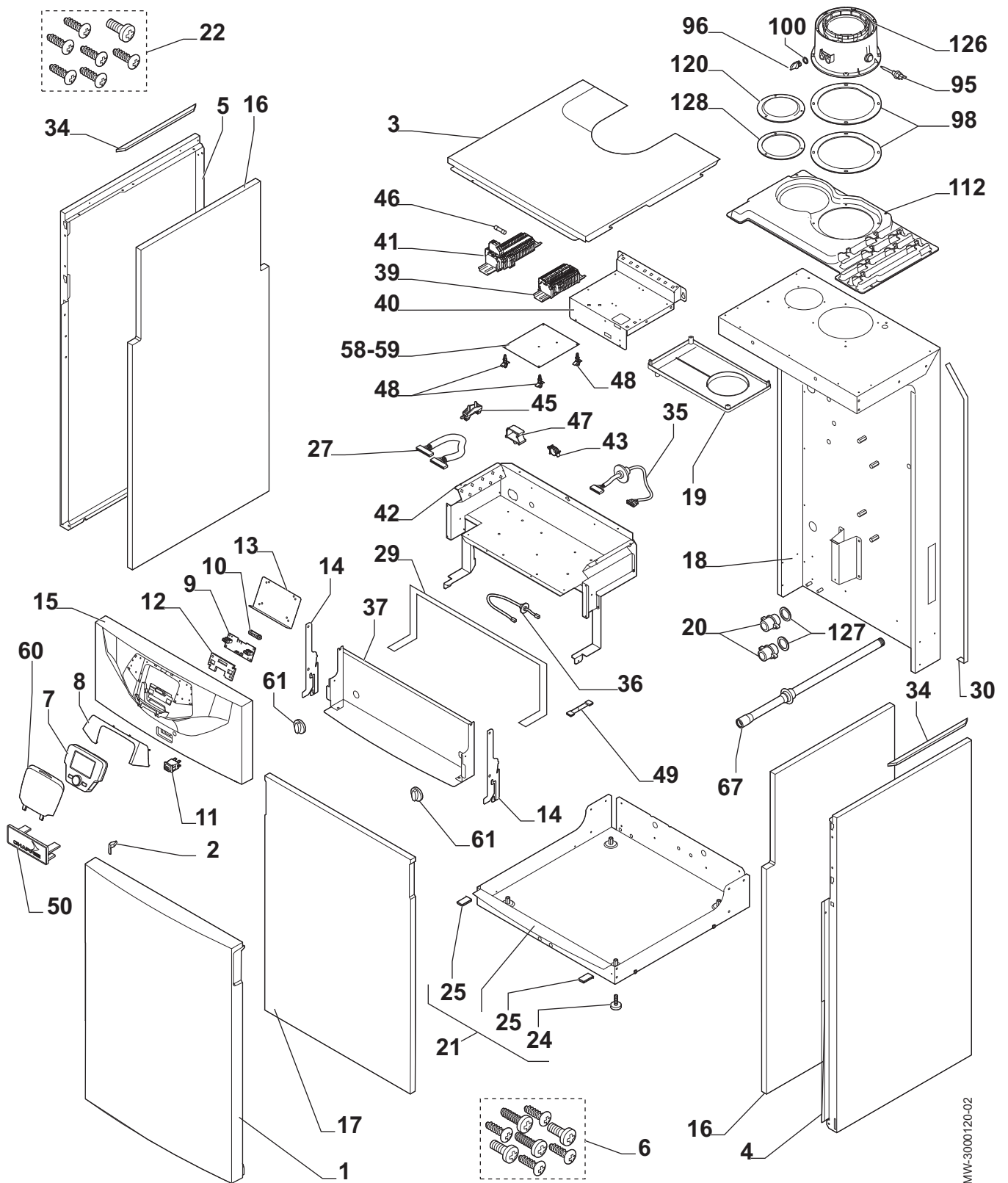
BAXI



POWER HT+

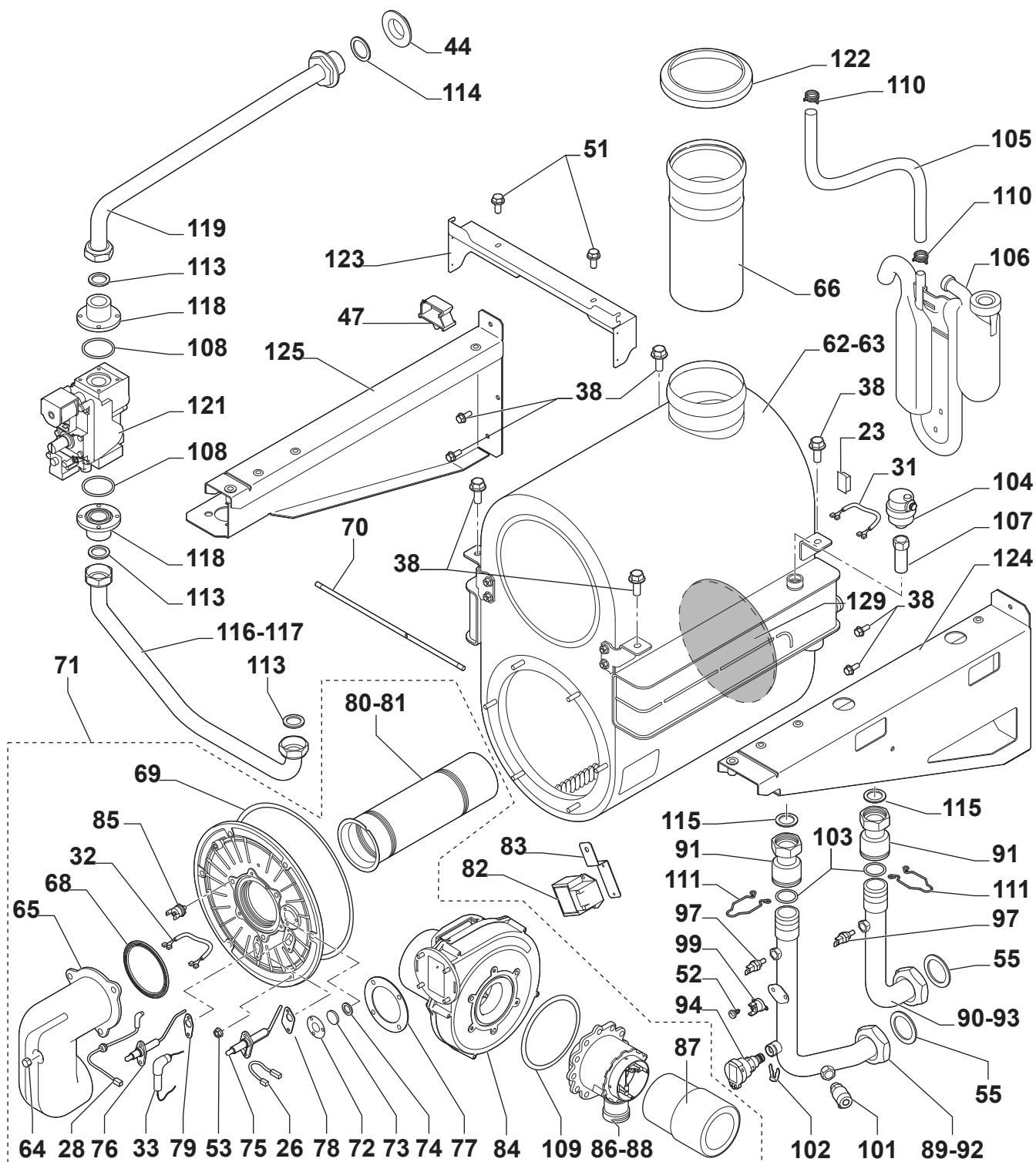
SPARE PARTS CATALOGUE

- May 2015 -



MW-3000120-02

Tab 4

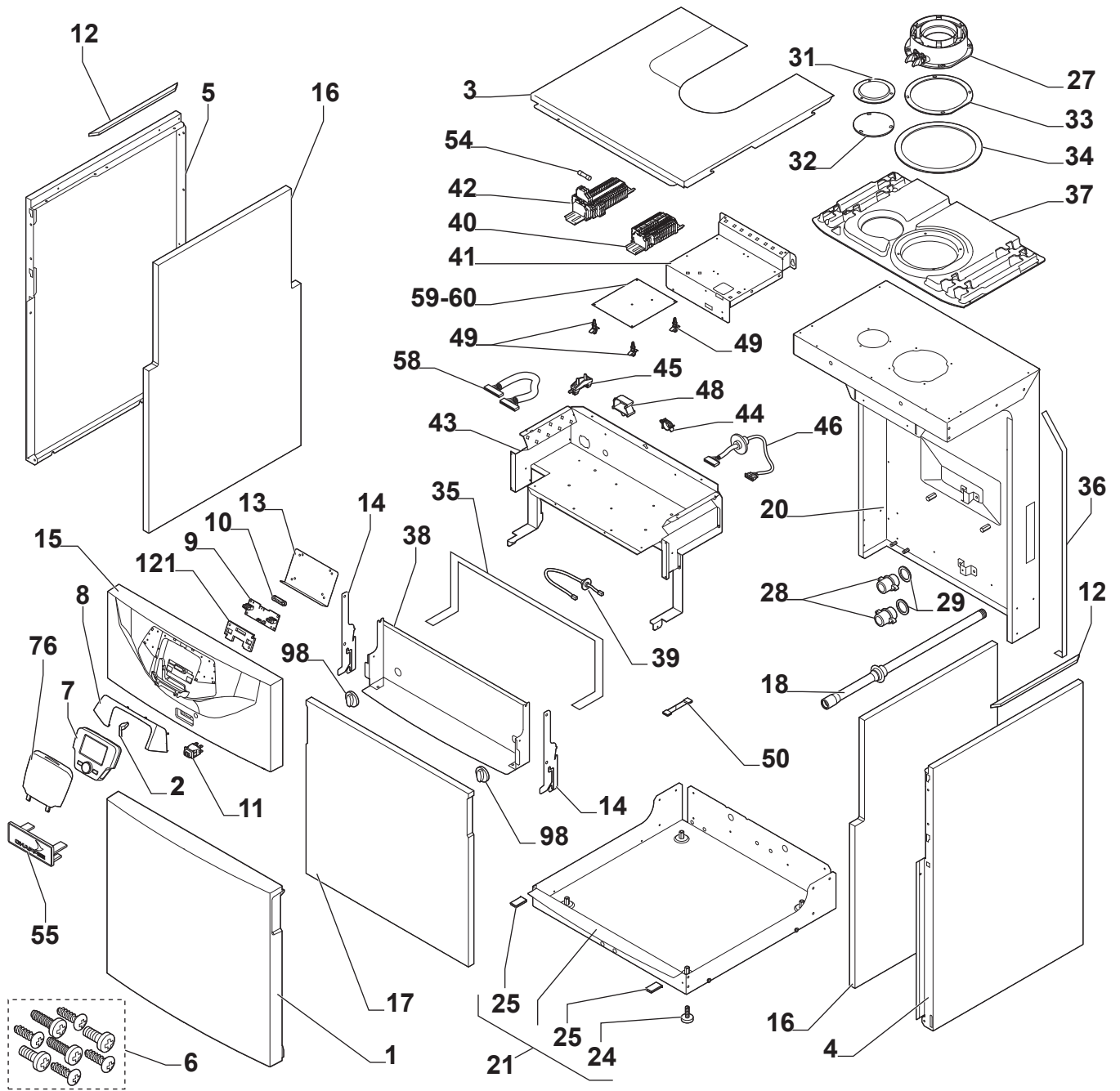


Pos.	Code	Description	POWER HT+ 1.50 761241801	POWER HT+ 1.70 761241901
1	722352000	FRONT PANEL - 2 COMPLETE UNITS	•	•
2	722351900	SPRING KIT FOR FRONT PANEL (X10)	•	•
3	761831300	PAINTED COVER	•	•
4	761831100	COMPLETE RIGHT PANEL	•	•
5	761831200	COMPLETE LEFT PANEL	•	•
6	761462800	SCREWS FOR CASING AND REMOTE CONTROL	•	•
7	721474400	REMOTE CONTROL	•	•
8	721563700	PANEL PLATE	•	•
9	710028100	BRIDGE PCB	•	•
10	722350000	CABLE CLAMP - TOP (X2)	•	•
11	721563600	ON/OFF SWITCH	•	•
12	722350800	TIGHTNESS GASKET 9X2 MM	•	•
13	722349800	REMOTE CONTROL COVER	•	•
14	760618600	CONTROL PANEL HOOK	•	•
15	760832700	COMPLETE CONTROL PANEL	•	•
16	760812700	FOAM SIDE PANEL	•	•
17	760813700	FOAM FRONT PANEL	•	•
18	760618400	CONDENSATE HOSE	•	•
19	722352400	SCREW H WITH SERRATED FLANGE, M6-16 ZN (X10)	•	•
20	760694600	COMPLETE REAR PANEL	•	•
21	760751100	COMPLETE BASE FRAME	•	•
22	710402000	MIXER MINI BICLAP d.24mm	•	
23	8510970	IGNITION CABLE	•	•
24	722351600	COMPLETE ADJUSTABLE FOOT M8X25	•	•
25	760878900	SIDE PANEL GASKET	•	•
26	761777900	SAFETY THERMOSTAT HARNESS	•	•
27	5670520	FLUE CONNECTION ASS. 80/125	•	•
28	710386800	NIPPLE G1"	•	•
29	710397800	GASKET G1" 31X42X3	•	•
30	722350500	GREEN GASKET 30X21X2	•	•
31	722350100	BLANKING PLATE 45/70	•	•
32	710784800	AIR PLUG GASKET	•	•
33	761348700	NOZZLE GASKET 80/120	•	•
34	760257600	GASKET O 224 X 3	•	•
35	760921800	FOAM STRIP CLOSED CELI 10X15 MM	•	•
36	760921900	FOAM STRIP CLOSED CELI 2X20 MM	•	•
37	760118500	CABLE WAY	•	•
38	761838700	COMPLETE DETACHABLE METAL SHEET	•	•
39	760897400	HIGH VOLTAGE WIRING (X11-X14)	•	•
40	760899100	LOW VOLTAGE WIRING (X20- X21- X42)	•	•
41	761542500	RIVETED BRACKET FOR AVS MODULE	•	•
42	760899200	WIRING 230 V (X2- X10- X12- X13)	•	•

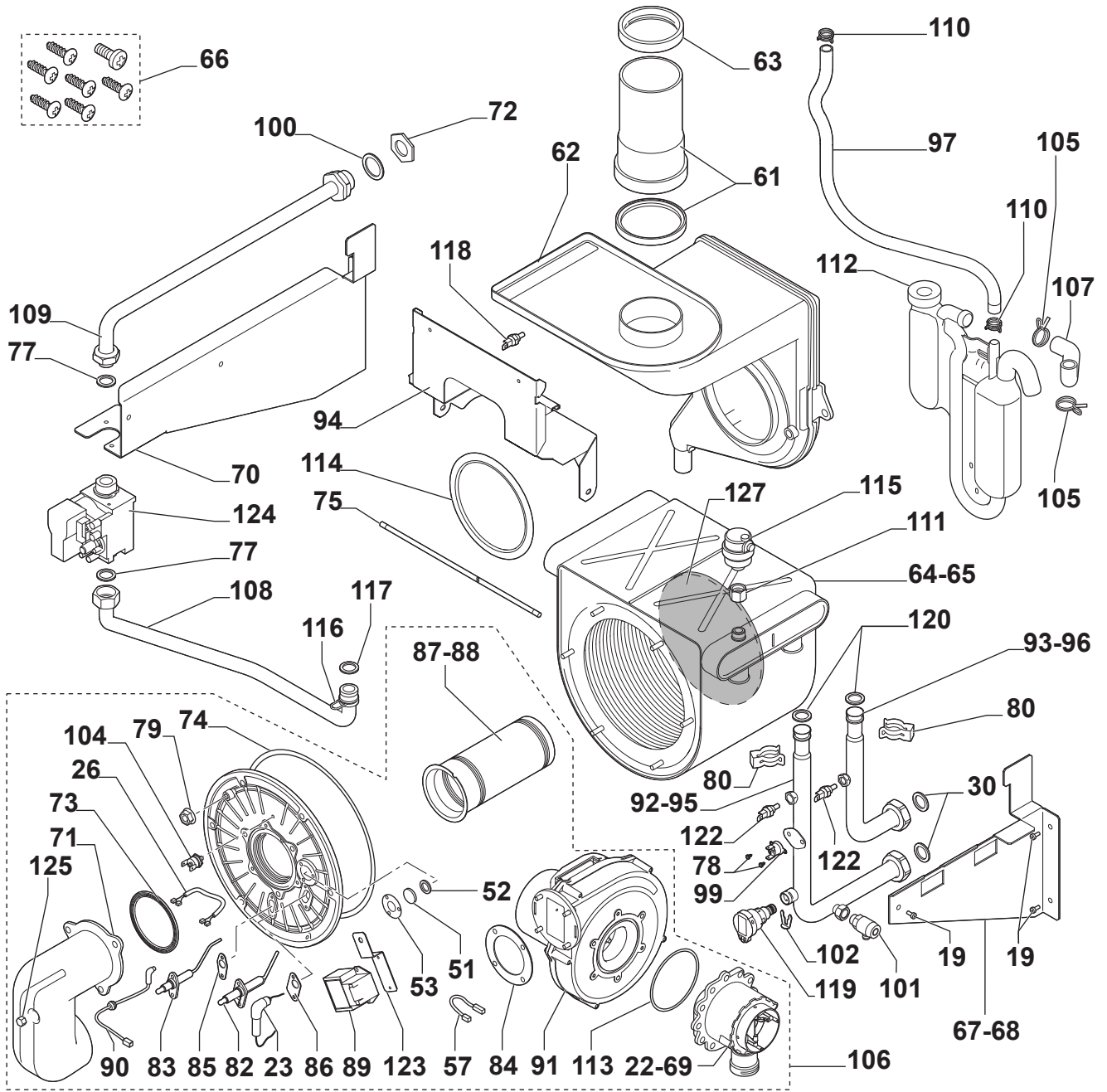
Pos.	Code	Description	POWER HT+ 1.50 761241801	POWER HT+ 1.70 761241901
43	761838800	COMPLETE DISTRIBUTION BOARD FRAME	•	•
44	722351000	CABLE CLAMP	•	•
45	722350900	CABLE CLAMP	•	•
46	760874300	WIRING 24 V (X22- X23)	•	•
48	722352200	CABLE CLAMP TO CLIP	•	•
49	722351500	SPACER	•	•
50	761124900	DISTRIBUTION BOARD GASKET	•	•
51	5211800	SIGHT GLASS	•	•
52	5409290	GASKET FOR SIGHT GLASS	•	•
53	710112300	SIGHT GLASS FLANGE	•	•
54	722351800	FUSE 5X20 4 A, 250 V	•	•
55	722349900	BOTTON	•	•
57	710777300	EARTH CABLE L 270	•	•
58	760868400	LMS14 HARNESS X40	•	•
59	760954300	PCB LMS14 50 KW	•	
60	760954400	PCB LMS14 70 KW		•
61	760620000	FLUE GAS EXTENSION Ø 80 MM	•	•
62	710385700	CONDENSY COLL.LUNA4 HT 50-70	•	•
63	5409270	AIR COLLECTOR GASKET D.70	•	•
64	710388000	EXCHANGER	•	
65	710387600	EXCHANGER		•
66	761463000	SCREW KIT	•	•
67	760618800	RIGHT BRACKET	•	
68	760618900	RIGHT BRACKET		•
69	710402200	MIXER BIG BICLAP d.30mm		•
70	760619100	LEFT BRACKET		•
71	710386000	AIR GAS COLLECTOR LUNA4 HT	•	•
72	722351700	ELASTIC NUT PAL 3/4"	•	•
73	710624300	HIGH TEMPERATURE BURNER GASKET	•	•
74	711405000	FLANGE GASKET	•	•
75	5212780	GASKET D.6	•	•
76	761464700	CONTROL PANEL COVER	•	•
77	722350400	GREEN GASKET 24X17X2	•	•
78	722351200	SCREW CBL Z ST 2.9-6.5 C ZN	•	•
79	722351300	SERRATED FLANGE NUT H M6	•	•
80	722351400	CLIPS FAR QUICK CONNECTION Ø 25 MM	•	•
82	710220000	IGNITION ELECTRODE	•	•
83	710220700	IONISATION PROBE	•	•
84	5410900	VENTURI GASKET	•	•
85	710185200	FLAME SENSING ELEC.GASKET	•	•
86	710185300	IGNITION ELECTRODE GASKET	•	•
87	710401700	BURNER	•	

Pos.	Code	Description	POWER HT+ 1.50 761241801	POWER HT+ 1.70 761241901
88	710401900	BURNER		•
89	8435220	2 V IGNITER	•	•
90	760871800	SENSOR CABLE (X1)	•	•
91	710754100	FAN RG 148/1200-3633	•	•
92	760681300	COMPLETE OUTLET PIPE	•	
93	760682800	COMPLETE INLET PIPE	•	
94	760618700	FRONT EXCHANGER BRACKET	•	
94	760877900	EXCHANGER LOCK BRACKET		•
95	760681400	COMPLETE OUTLET PIPE		•
96	760683000	COMPLETE INLET PIPE		•
97	760817800	CONDENSATE PIPE	•	•
98	760862200	90° HIGH 22 mm	•	•
99	710626000	THERMOSTAT 105	•	•
100	760806400	GAS PIPE GASKET Ø 26 MM	•	•
101	722350300	DRAIN VALVE	•	•
102	722349700	CLIP	•	•
104	711427700	SAFETY THERMOSTAT 260C	•	•
105	760605700	SPRING TIGHTENING CLAMP Ø 23.1 MM	•	•
106	760687700	COMPLETE BURNER	•	
106	760687800	COMPLETE BURNER		•
107	760657600	CONDENSATE PIPE	•	•
108	760766500	COMPLETE GAS PIPE	•	
108	760754300	COMPLETE GAS PIPE		•
109	760755800	COMPLETE GAS INLET PIPE	•	•
110	761468500	SPRING TIGHTENING CLAMP Ø 18.2 MM	•	•
111	760791500	N270B SLEEVE 3/8"	•	•
112	760869000	COMPLETE SIPHON L GASKET	•	•
113	3402100	O-RING 70X3	•	•
114	5410480	GASKET	•	•
115	5652730	AUTO AIR VENT	•	•
116	710011400	CLIP FIX GAS PIPE	•	
117	710061400	O-RING 18X3	•	
117	722350500	GREEN GASKET 30X21X2		•
118	8435270	NTC SENSOR	•	•
119	710109100	PRESSURE SENSOR	•	•
120	5404600	O.R. 17,86x2,62	•	•
121	710183600	AVS PCB BRIDGE GASKET 92	•	•
122	8435400	NTC SENSOR	•	•
123	710390700	LGNITER BRACKET	•	•
124	710401600	GAS VALVE	•	•
125	710558500	NUT M6X75	•	•
127	711473200	REAR INSULATION	•	•

Tab 1



Tab 2



Pos.	Codice	Descrizione	POWER HT+ 1.90 761242001	POWER HT+ 1.110 7612412101
1	722352100	FRONT PANEL - 3 COMPLETE MODULES	•	•
2	722351900	SPRING KIT FOR FRONT PANEL (X10)	•	•
3	761831400	COMPLETE TOP PANEL	•	•
4	761831600	COMPLETE RIGHT PANEL	•	•
5	761831500	COMPLETE LEFT PANEL	•	•
6	761462800	BAG OF SCREWS FOR CASING AND CONTROL PANEL	•	•
7	721474400	REMOTE CONTROL	•	•
8	721563700	PANEL PLATE	•	•
9	710028100	BRIDGE PCB	•	•
10	722350000	CABLE CLAMP - TOP (X2)	•	•
11	721563600	ON/OFF SWITCH	•	•
12	710183600	GASKET PCB BRIDGE	•	•
13	722349800	CONTROL PANEL COVER	•	•
14	760618600	CONTROL PANEL HOOK	•	•
15	760832700	CONTROL PANEL	•	•
16	760808800	FOAM SIDE PANEL	•	•
17	760814400	FOAM FRONT PANEL	•	•
18	760695200	COMPLETE FRAME	•	•
19	710373400	CONDENSY COLL.LUNA4 HT 85-100	•	•
20	710370600	NIPPLE G1 - 1/2"	•	•
21	760751100	COMPLETE BASE FRAME	•	•
22	761463000	SCREW KIT	•	•
24	722351600	COMPLETE ADJUSTABLE FOOT M8X25	•	•
25	760878900	SIDE PANEL GASKET	•	•
26	710777300	EARTH CABLE, LENGTH 270 MM	•	•
27	760868400	LMS14 HARNESS X40	•	•
28	760871800	SENSOR CABLE (X1)	•	•
29	760921800	FOAM STRIP CLOSED CELL 10X15	•	•
30	760921900	FOAM STRIP CLOSED CELL 2X20	•	•
31	760941500	THERMAL FUSE HARNESS	•	•
32	761777900	SAFETY THERMOSTAT HARNESS	•	•
33	8510970	IGNITION CABLE	•	•
34	722350800	TIGHTNESS GASKET 9X2 MM	•	•
35	760897000	WIRING 24 V (X22-X23)	•	•
36	760897500	WIRING 230 V (X11-X14)	•	•
37	761838700	COMPLETE DETACHABLE METAL SHEET	•	•
38	722352400	SCREW H WITH SERRATED FLANGE, M6-16 ZN (X10)	•	•
39	760899100	WIRING 24 V (X20- X21- X42)	•	•
40	761542500	RIVETED BRACKET FOR AVS MODULE	•	•
41	760899200	HARNESS 230 V (X2- X10- X12- X13)	•	•
42	761838800	COMPLETE DISTRIBUTION BOARD FRAME	•	•
43	722351000	CABLE CLAMP	•	•
44	722352300	SHEET NUT G1"	•	•
45	722350900	CABLE CLAMP	•	•

Pos.	Codice	Descrizione	POWER HT+ 1.90 761242001	POWER HT+ 1.110 7612412101
46	722351800	FUSE 5X20 4 A, 250 V	•	•
47	722352200	CABLE CLAMP TO CLIP	•	•
48	722351500	SPACER	•	•
49	761124900	DISTRIBUTION BOARD GASKET	•	•
50	722349900	BUTTON	•	•
51	722351100	FLANGE SCREW H M8X18 8.8	•	•
52	722351200	SCREW CBL Z ST 2.9-6.5 C ZN	•	•
53	722351300	SERRATED FLANGE NUT H M6	•	•
55	722350700	GREEN GASKET 44X32X2	•	•
58	760954500	PCB LMS14 90KW	•	
59	760954600	PCB LMS14 110KW		•
60	761464700	CONTROL PANEL COVER	•	•
61	760862200	90° HIGH 22 mm	•	•
62	3626840	DUO EXCHANGER	•	
63	3626850	DUO EXCHANGER		•
64	710558500	NUT M6X75	•	•
65	710386000	AIR GAS COLLECTOR LUNA4 HT	•	•
66	760635000	FLUE GAS EXTENSION Ø 100 MM	•	•
67	760618400	CONDENSATE HOSE	•	•
68	710624300	BURNER GASKET HT	•	•
69	711405000	COMBUSTION CHAMBER GASKET	•	•
70	5212780	GASKET D.6	•	•
71	760622600	COMPLETE BURNER	•	
71	760684400	COMPLETE BURNER		•
72	710112300	SURROUND - VIEWING WINDOW	•	•
73	5211800	FLAME INSPECTION	•	•
74	5409290	GASKET	•	•
75	710220000	ELECTRODE - IGNITION	•	•
76	710220700	ELECTRODE - IONISATION	•	•
77	5410900	VENTURI GASKET	•	•
78	710185300	IGNITION ELECTRODE GASKET	•	•
79	710185200	FLAME SENSING ELEC.GASKET	•	•
80	710461000	BURNER		•
81	710461100	BURNER	•	
82	8435220	ZAG 2V IGNITOR	•	•
83	710390700	IGNITER BRACKET	•	•
84	710487100	FAN NRG 137	•	•
85	711427700	SAFETY THERMOSTAT 260C	•	•
86	710461200	MIXER BIG BICLAP D.38mm		•
87	710755200	SILENCER	•	
88	710461300	MIXER BIG BICLAP d.34mm	•	
89	760680300	COMPLETE OUTLET PIPE	•	
90	760681700	COMPLETE INLET PIPE	•	

Pos.	Codice	Descrizione	POWER HT+ 1.90 761242001	POWER HT+ 1.110 7612412101
91	710372400	JOINT EXCH.DUOZ FOR PIPE D.28		•
91	710622600	JOINT EXCHANGER DUOZ G1	•	
92	760681100	COMPLETE OUTLET PIPE		•
93	760681800	COMPLETE INLET PIPE		•
94	710109100	PRESSURE SENSOR	•	•
95	710682400	NTC SENSOR	•	•
96	5409280	TAP ADAPTOR	•	•
97	8435400	NTC SENSOR	•	•
98	761348000	GASKET FLUE 110/160	•	•
99	710626000	THERMOSTAT 105	•	•
100	710107800	O-RING 0 8.73 X 1.78 EPDM	•	•
101	722350300	DRAIN VALVE	•	•
102	722349700	CLIP	•	•
103	5400400	O-RING 0 28.24X2.62	•	•
104	5652730	AIR VENT G3/8	•	•
105	760709600	CONDENSATE PIPE	•	•
106	760869000	SIPHON	•	•
107	760837400	NIPPLE M/F 3/8" L40	•	•
108	3400430	O-RING 0 33.05X1.78	•	•
109	3402100	O-RING 0 69.44 X 3.53 NBR	•	•
110	761468500	SPRING TIGHTENING CLAMP 0 18.2 MM	•	•
111	5116120	CLIP	•	•
112	760849900	CABLEWAY	•	•
113	722350500	GREEN GASKET 30X21X2	•	•
114	710397800	GASKET G1" 31X42X3	•	•
115	722350600	GREEN GASKET 38X27X2		•
115	722350500	GREEN GASKET 30X21X2	•	
116	760792500	COMPLETE GAS PIPE 90 KW	•	
117	760792600	COMPLETE GAS PIPE 110 KW		•
118	3203020	GAS VALVE FITTING G1	•	•
119	760792400	COMPLETE GAS INLET PIPE	•	•
120	5116110	BLANKING PLATE	•	•
121	3621240	SIT 822 NOVAMIX GAS VALVE	•	•
122	710373100	CONDENSATE TRAY GASKET	•	•
123	760767200	RIVETED BASE FRAME CROSSBAR	•	•
124	760636200	COMPLETE RIGHT BRACKET FOR DUO BODY	•	•
125	760636300	COMPLETE LEFT BRACKET FOR DUO BODY	•	•
126	760634200	FLUE CONNECTION ASS. 110/160	•	•
127	710445900	GASKET G1 1/2" C.S.	•	•
128	5412420	BLANKING PLATE SHEET GASKET	•	•
129	711465600	REAR INSULAT. 180x16 ASSEMBLY	•	•