

BAXI

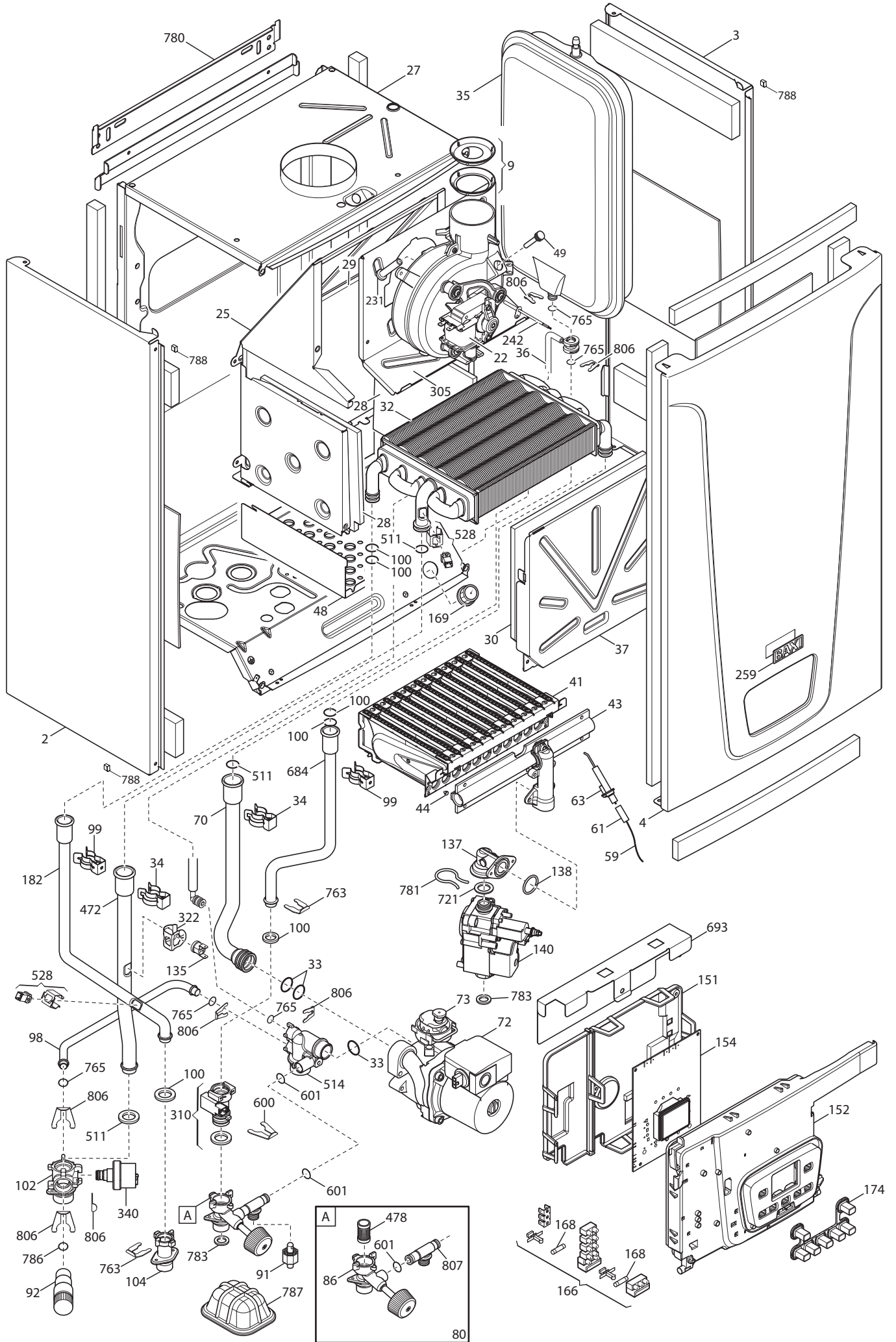


MAIN 5

SPARE PARTS CATALOGUE

- February 2017 -

BOILER CODE	BOILER DESCRIPTION	EXPLODED REF.
CODICE CALDAIA	DESCRIZIONE CALDAIA	RIF. ESPLOSO
CODIGO CALDERA	DESCRIPCION CALDERA	REF. EXPLOSIONADO
CODE CHAUDIÈRE	DESCRIPTION CHAUDIÈRE	RÉF. EXPLOSÉE
711178002/3	MAIN5 14F	Tab 487
711178102/3	MAIN5 18F	Tab 487
710775003/4	MAIN5 24F	Tab 487



MAIN5

09/02/2017

Pos	Code	Description code				To serial number	From serial number	Intercha ngeable:
			710775003/4 MAIN5 24F	711178102/3 MAIN5 18F	711178002/3 MAIN5 14F			
2	710556300	LEFT PANEL ASSEMBLY	•	•	•	1707		
2	767299100	LEFT PANEL ASSEMBLY	•	•	•		1708	YES
3	710556400	RIGHT PANEL ASSEMBLY	•	•	•	1707		
3	767299000	RIGHT PANEL ASSEMBLY	•	•	•		1708	YES
4	710611500	FRONTAL PANEL ASSEMBLY	•	•	•	1707		
4	767299200	FRONTAL PANEL ASSEMBLY	•	•	•		1708	YES
9	631760	FLUE RESTRICTOR MAIN5			•			
9	631950	FLUE RESTRICTOR MAIN5	•	•				
22	710365100	FAN 30W	•	•	•			
25	710808100	COMBUSTION CHAMBER ASSEMBLY	•	•	•			
27	711249900	C FRAME MAIN5	•	•	•			
28	710495700	LATERAL INSULATING PANEL	•	•	•			
29	710495600	REAR INSULATING PANEL	•	•	•			
30	710391300	FRONTAL INSULATING PANEL	•	•	•			
32	710537600	HEAT EXCHANGER H2O/GAS	•	•	•			
33	710963000	OR 21,5X3 EP70 TFL	•	•	•			
34	5113650	PRIMARY EXCHANGER FIXING CLIP	•	•	•			
35	710471200	EXPANSION VESSEL 6L	•	•	•			
36	711250900	PIPE EXPANSION VESSEL	•	•	•			
37	710795800	SEALED CHAMBER FRONT PANEL	•	•	•			
41	710516000	BURNER 11 ELEMENTS	•	•	•			
43	710807300	GAS RAMP 11 INJECTORS			•			
43	711176900	GAS RAMP 11 INJECTORS d 1,18	•	•				
44	5209150	INJECTOR D. 1,18 MM	•	•				
44	5214470	INJECTOR diameter 1,35 mm			•			
44	5704730	KIT TRANSF.GAS G31 11x0,85			•			
44	711368500	KIT TRANSF. G31 11X0,77	•	•				
48	710733000	BURNER TRAY	•	•	•			
49	5409520	HOSE ADAPTER CAP	•	•	•			
63	711404900	ELECTRODE	•	•	•			
70	710538600	PIPE PUMP/EXCHANGER	•	•	•			
72	721957600	PUMP 5M NO CE	•	•	•			
73	7219215	AIR VENT PUMP WI.	•	•	•		1619	YES
73	710139500	AUTOMATIC AIR VENT WI	•	•	•	1618		
80	711251100	FILLING LOOP ASSEMBLY MAIN5	•	•	•			
86	711666100	FILLING TAP ASSEMBLY MAIN5	•	•	•			
91	710473500	DRAINING TAP ASSEMBLY	•	•	•			
92	710071200	SAFETY VALVE 3 bar NOVASFER	•	•	•			
98	710415000	BY PASS PIPE ASSY	•	•	•			
99	710679800	FIXING CLIP	•	•	•			
100	711296900	O-RING 13,94X2,62 TFL	•	•	•			
102	710860100	MR-BY PASS ASSEMBLY	•	•	•			

MAIN5

09/02/2017

Pos	Code	Description code				To serial number	From serial number	Intercha ngeable:
			710775003/4 MAINS 24F	711178102/3 MAINS 18F	711178002/3 MAINS 14F			
104	710508300	SANITARY OUTLET CONNECTION	•	•	•			
135	9951610	LIMIT THERMOSTAT 105°C	•	•	•			
137	710585800	CONNECTION GAS VALVE/OR	•	•	•			
138	5402010	O RING 22.22x2.62	•	•	•			
140	710660400	GAS VALVE VK4105M	•	•	•			NOTE
151	710654600	BOX COVER	•	•	•			
152	710779300	PRINTED CONTROL PANEL MAIN5	•	•	•			
154	721824700	PCB HON. ECO5/MAIN5	•	•	•	1620		
154	766077600	PCB HON. ECO5/MAIN5	•	•	•	1638	1621	YES
154	766487600	PCB ECO5/MAIN5	•	•	•		1639	YES
166	5688430	TERM.BOARD/DOUBLE FUSE HOLDER	•	•	•			
168	9950580	FUSE	•	•	•			
169	711252300	PRESSURE GAUGE MAIN5	•	•	•			
174	5414010	KEYBOARD ECO4 BAXI	•	•	•			
182	710538700	OUTLET DHW BOILER PIPE	•	•	•			
231	710452800	FLUE INTAKE	•	•	•			
242	710743700	FLUE SENSOR/CABLE	•	•	•			
259	710419300	BRAND BAXI	•	•	•			
305	710495200	FAN BRACKET	•	•	•			
310	710421000	FLOW SWITCH ON/OFF ELTEK	•	•	•			
322	710538300	CLIP TH	•	•	•			
340	710371000	PRESSURE H2O SENSOR	•	•	•			
472	710538500	HEATING FLOW CONNECTING PIPE	•	•	•			
478	710503300	SANITARY FILTER	•	•	•			
511	5404600	O.R. 17,86x2,62	•	•	•			
514	710504600	PUMP FILTER CONNec.	•	•	•			
528	710666500	NTC SENSOR D14	•	•	•			
600	710045400	CLIP FLAT d.18	•	•	•			
601	710107800	O-RING 8,73x1,78	•	•	•			
684	710538800	INLET DHW PIPE	•	•	•			
693	710783700	PRINTED CNTR. PANEL PROTECTION	•	•	•			
721	710660300	OR d.19,3X3,6 HNBR	•	•	•			
763	710428300	CLIP FLAT d.14	•	•	•			
765	710045700	O-RING d.9,19 X 2,62	•	•	•			
780	710633100	UPPER SUPPORT	•	•	•			
781	710539600	CLIP GAS PIPE	•	•	•			
783	710039500	HYDRAULIC GROUP GASKET	•	•	•			
786	710156600	SAFETY VALVE SEAL	•	•	•			
787	710453100	SEAL FILLING TAP	•	•	•			
788	710176000	COMBUSTION CHAMBER GASKET C	•	•	•			
806	710110600	CLIP d.10 BITRON	•	•	•			
807	710473600	DRAINING TAP CORPS	•	•	•			
999	8414540	CABLE ROOM TH	•	•	•			

MAIN5

09/02/2017

Pos	Code	Description code	710775003/4 MAINS 24F	71178102/3 MAINS 18F	71178002/3 MAINS 14F										To serial number	From serial number	Intercha ngeable:
999	8414620	POWER CABLE	•	•	•												
999	710672100	LOW VOLT.WIRING 12 PIN	•	•	•												
999	710672200	LOW VOLT. WIRING 7 PIN	•	•	•												
999	711022600	GAS VALVE CABLE MAIN5	•	•	•												
999	711275600	HIGH VOLTAGE WIRING 7P.	•	•	•												