

BAXI



LUNA 3

SPARE PARTS CATALOGUE



- January 2015-

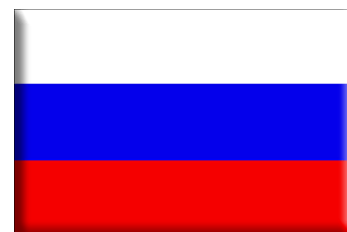
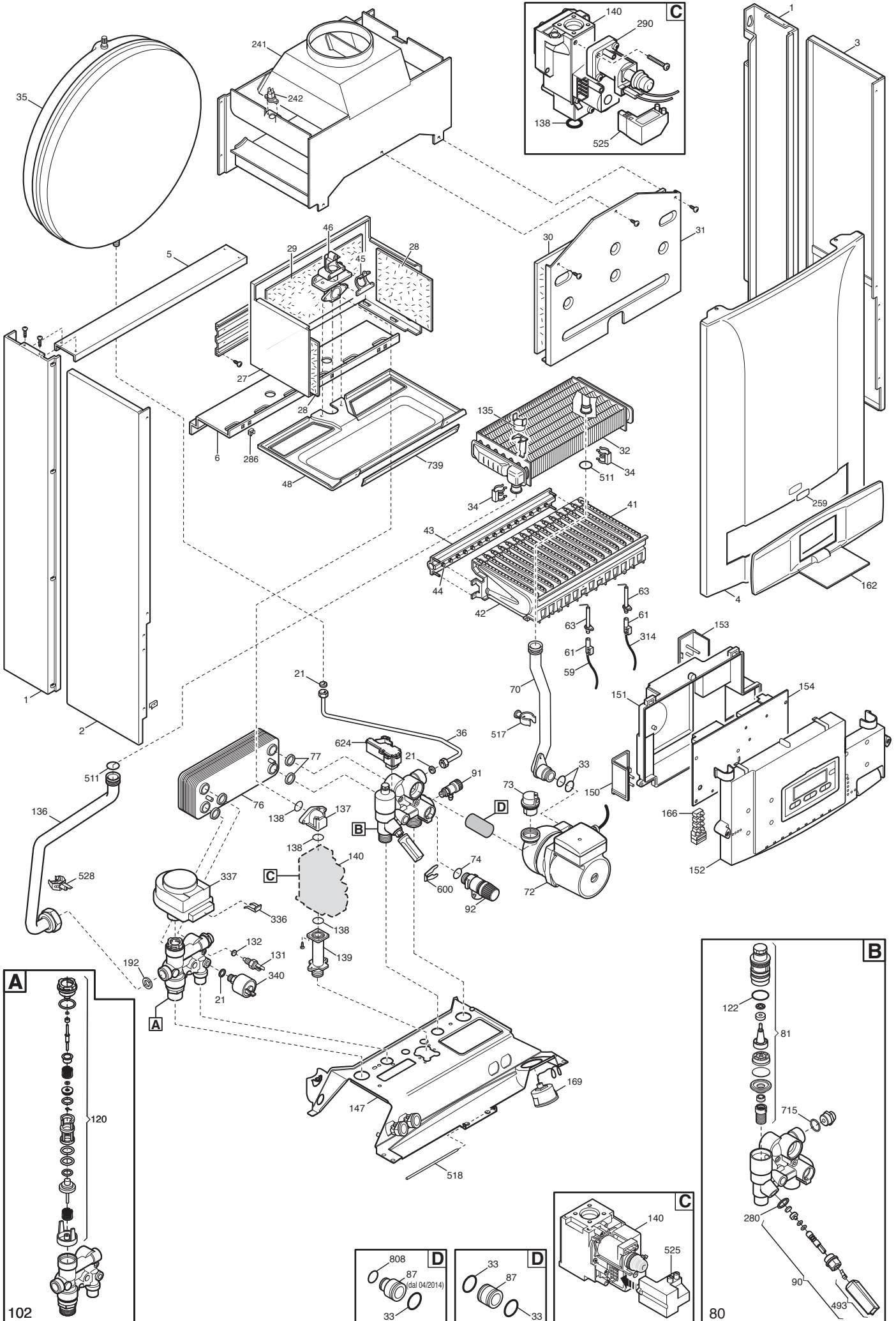
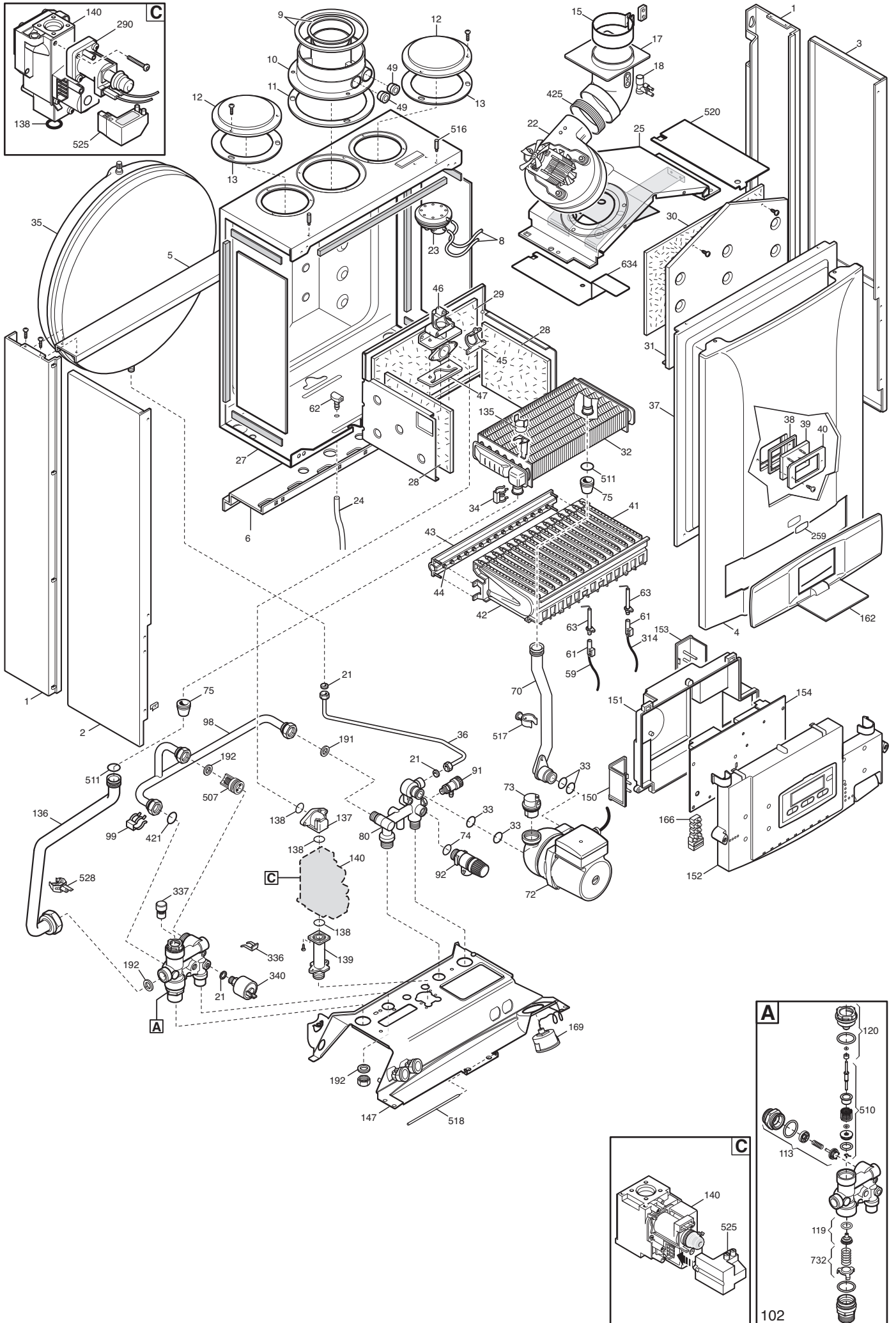


TABELLA COLLEGAMENTO CODICE CALDAIA - ESPLOSO
TABLEAU CONNECTION CODEX CHAUDIERE - VUE ECLATEE
BOILERS CONNECTION BOARD - EXPLODED VIEW

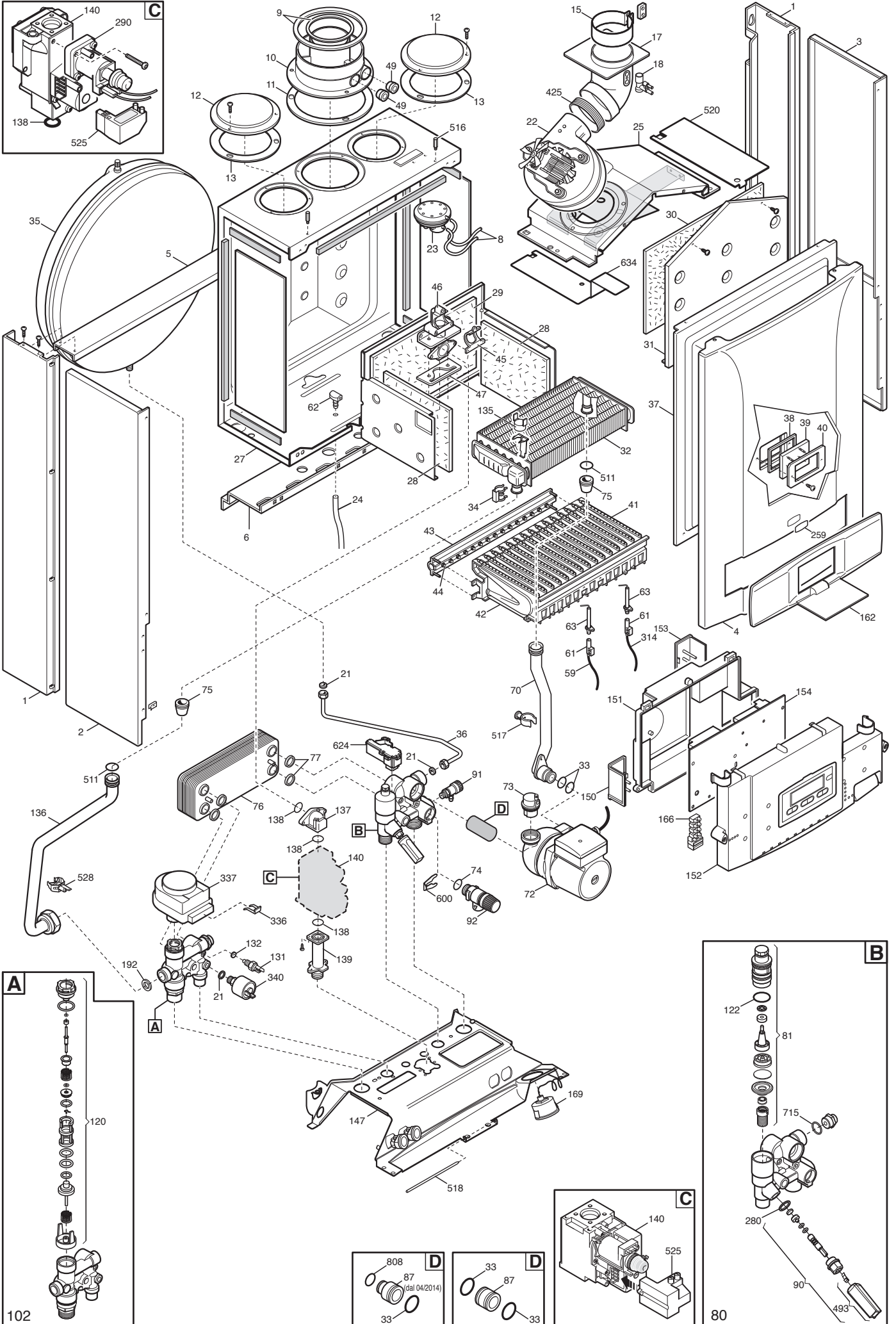
| BOILER CODE | BOILER DESCRIPTION | EXPLODED REF. |
|-----------------------|------------------------------|--------------------------|
| CODICE CALDAIA | DESCRIZIONE CALDAIA | RIF. ESPLOSO |
| CODIGO CALDERA | DESCRIPCION CALDERA | REF. EXPLOSIONADO |
| CODE CHAUDIÈRE | DESCRIPTION CHAUDIÈRE | RÉF. EXPLOSÉE |
| CSE455313660 | LUNA3 1.310 Fi -RO/RUS- | Tab 415 |
| CSE456243661 | LUNA3 240Fi RO/RU | Tab 414 |
| CSE456243660 | LUNA3 240Fi -RO/RUS- | Tab 414 |
| CSE452243661 | LUNA3 240i RO/RU | Tab 413 |
| CSE452243660 | LUNA3 240i -RO-RUS- | Tab 413 |
| CSE456283661 | LUNA3 280Fi RO/RU | Tab 414 |
| CSE456283660 | LUNA3 280Fi -RO/RUS- | Tab 414 |
| CSE456313661 | LUNA3 310Fi RO/RU | Tab 414 |
| CSE456313660 | LUNA3 310Fi -RO/RUS- | Tab 414 |



Tab 415



Luna3 240_310 Fi





| Pos | Code | Description code | CS E452243660 | CS E455313660 | CS E456243660 | CS E456283660 | CS E456313660 | CS E456313660 | CS E456243661 | CS E456243661 | CS E456283661 | To serial number | From serial number | Interchangeable: |
|-----|-----------|------------------------------------|---------------|---------------|---------------|---------------|---------------|---------------|---------------|---------------|---------------|------------------|--------------------|------------------|
| | | | 2401 | 1.310 Ft | 240 Ft | 280 Ft | 310 Ft | 240 Ft | 240 Ft | 280 Ft | 310 Ft | | | |
| 1 | 5683090 | SUPPORT FRAME | • | • | • | • | • | • | • | • | • | | | |
| 2 | 5116190 | LEFT PANEL | • | | | | | • | | | | | | |
| 2 | 5681390 | LEFT PANEL | | • | • | • | • | | • | • | • | | | |
| 3 | 5116170 | RIGHT PANEL | • | | | | | • | | | | | | |
| 3 | 5681380 | RIGHT PANEL | | • | • | • | • | | • | • | • | | | |
| 4 | 5115970 | FRONTAL PANEL LUNA3 | • | • | • | • | • | • | • | • | • | | | |
| 5 | 5110290 | BRACKET-UPPER SUPPORT | • | • | • | • | • | • | • | • | • | | | |
| 6 | 5109640 | BRACKET-LOWER SUPPORT | • | • | • | • | • | • | • | • | • | | | |
| 8 | 5408080 | PRESSURE SWITCH PIPE L=270 | | • | • | • | • | | • | • | • | | | |
| 9 | 5108700 | RESTRICTOR-AIR INTAKE | | • | • | • | • | | • | • | • | | | |
| 10 | 5207060 | FLUE ADAPTOR | | • | • | • | • | | • | • | • | | | |
| 11 | 5407890 | GASKET ADAPTOR | | • | • | • | • | | • | • | • | | | |
| 12 | 5108690 | PLATE BLANKING | | • | • | • | • | | • | • | • | | | |
| 13 | 5407400 | SUCTION CAP GASKET | | • | • | • | • | | • | • | • | | | |
| 15 | 600530 | JOINT ASSEMBLY | | • | • | • | • | | • | • | • | | | |
| 17 | 5213750 | CONVEYOR BEND LUNA3 | | • | • | • | • | | • | • | • | | | |
| 18 | 5407050 | PRESSURE SENSING VENTURI | | | • | | | | • | | | | | |
| 18 | 5413850 | PRESS.SENS.VENTURI SINGLE TAP | | • | | • | • | | | • | • | | | |
| 21 | 5402050 | WASHER-SEALING | • | • | • | • | • | • | • | • | • | | | |
| 22 | 5653850 | FAN - 80 | | | • | | | | • | | | | | |
| 22 | 5655730 | FAN - 105 | | • | | • | • | | | • | • | | | |
| 23 | 618470 | FAN PRESS.SWITCH 1,2mBAR HONEY | | | • | | | | | | | C120 | | |
| 23 | 628150 | FLUE PRESS.SWITCH 1,2mBAR HUBA | | | • | | | | | | | C144 | | |
| 23 | 628610 | PRESS.SWITCH ASS. 0,68mbar HONEYW. | | • | | • | • | | | • | • | | | |
| 23 | 628640 | PRESS.SWITCH ASS.1.2mbar HONEYW. | | | | | | | • | | | | | |
| 23 | 628640 | PRESS.SWITCH ASS.1.2mbar HONEYW. | | | • | | | | | | | | C121 | YES |
| 23 | 628770 | FLUE PRESS.SWITCH 70-60Pa HUBA | | • | | • | • | | | | | C144 | | |
| 23 | 5663820 | PRESSURE SWITCH 80 ASS. IND. | | • | | • | • | | | | | C120 | | |
| 23 | 710789900 | PRESSURE SWITCH ASSEMBLY HUBA | | | | | | | | • | • | 1448 | | |
| 23 | 710789900 | PRESSURE SWITCH ASSEMBLY HUBA | | • | | • | • | | | | | 1448 | C145 | YES |
| 23 | 710790300 | FLUE PRESS.SWITCH 1,2mBAR HUBA | | | | | | | • | | | 1448 | | |
| 23 | 710790300 | FLUE PRESS.SWITCH 1,2mBAR HUBA | | | • | | | | | | | 1448 | C145 | YES |
| 23 | 721890300 | FLUE PRESS.SWITCH 70-60Pa HUBA | | • | | • | • | | | • | • | | 1449 | YES |
| 23 | 721890800 | FLUE PRES.SWITCH 95-115Pa HUBA | | | • | | | | • | | | | 1449 | YES |
| 24 | 5414320 | PIPE-VALVE COMPENS.4,5x8 L=170 | | • | • | • | • | | • | • | • | | | |
| 25 | 5681090 | CONVEYOR ASSEMBLY LUNA3 | | • | • | • | • | | • | • | • | | | |
| 27 | 5680950 | COMBUSTION CHAMBER ASS. 31KW | | • | | • | • | | | • | • | | | |
| 27 | 5681180 | COMBUSTION CHAMBER ASS. 24Kw | | | • | | | | • | | | | | |
| 27 | 5681700 | COMBUST.CHAMBER ASSEMBLY ATM | • | | | | | • | | | | | | |
| 28 | 5213190 | INSULATING PANEL | • | • | • | • | • | • | • | • | • | | | |
| 29 | 5213290 | INSULATION - REAR PANEL | • | • | • | • | • | • | • | • | • | | | |
| 30 | 5213310 | INSULATING PANEL | • | | | | | • | | | | | | |



| Pos | Code | Description code | CSE452243660 | | | | | | | | | | To serial number | From serial number | Interchangeable: | |
|-----|-----------|--------------------------------|--------------|----------|--------|--------|--------|------|--------|--------|--------|--------|------------------|--------------------|------------------|-----|
| | | | 240i | 1.310 Fi | 240 Fi | 280 Fi | 310 Fi | 240i | 240 Fi | 280 Fi | 310 Fi | 240 Fi | | | | |
| 30 | 5213340 | INSULATING PANEL | | • | • | • | • | | | • | • | • | | | | |
| 31 | 5108030 | CONBUSTION CHAMBER FRONT PLATE | • | | | | | | | • | | | | | | |
| 31 | 5111840 | PANEL-COMBUSTION CHAMBER 80 | | | | • | | | | | • | | | | | |
| 31 | 5111850 | PANEL-COMB CHAMBER-105 | | • | | | • | • | | | | • | • | | | |
| 32 | 620860 | H2O/GAS EXCHANGER 24KW+CLIP | • | | | • | | | | • | • | | | | | |
| 32 | 620870 | H2O/GAS EXCHANGER 31KW+CLIP | | • | | | • | • | | | | • | • | | | |
| 33 | 5403130 | O-RING 22 x 3 | • | • | • | • | • | • | | | | | | 1311 | | |
| 33 | 710963000 | OR 21,5X3 EP70 TFL | | | | | | | | • | • | • | • | | | |
| 33 | 710963000 | OR 21,5X3 EP70 TFL | • | • | • | • | • | • | | | | | | | 1312 | YES |
| 34 | 5113650 | PRIMARY EXCHANGER FIXING CLIP | • | • | • | • | • | • | • | • | • | • | • | | | |
| 35 | 5608840 | EXPANSION VESSEL | | • | | | • | • | | | | | | C017 | | |
| 35 | 5625560 | VESSEL EXPANSION - 8L | • | | | • | | | | | | | | C014 | | |
| 35 | 5625570 | VESSEL EXPANSION - 8L | | | | | | | | • | • | | | | | |
| 35 | 5625570 | VESSEL EXPANSION - 8L | • | | | • | | | | | | | | | C015 | YES |
| 35 | 5690740 | EXPANSION VESSEL 10 L | | | | | | | | | | • | • | | | |
| 35 | 5690740 | EXPANSION VESSEL 10 L | | | • | | • | • | | | | | | | C018 | YES |
| 36 | 5653290 | PIPE - EXPANSION VESSEL | • | • | • | • | • | • | • | • | • | • | • | | | |
| 37 | 5653710 | PANEL COMBUSTION BOX FRONT 80 | | | | • | | | | | • | | | | | |
| 37 | 5655750 | PANEL-COMBUSTION BOX | | • | | | • | • | | | | • | • | | | |
| 38 | 5401610 | VIEWING WINDOW GASKET | | • | • | • | • | • | | • | • | • | | | | |
| 39 | 5203930 | VIEWING WINDOW | | • | • | • | • | • | | • | • | • | | | | |
| 40 | 5115590 | SURROUND-SIGHT GLASS | | • | • | • | • | • | | • | • | • | | | | |
| 41 | 5653300 | BURNER ASSEMBLY (15 ELEMENTS) | • | • | • | • | • | • | • | • | • | • | • | | | |
| 42 | 5604090 | BURNER ELEMENT | • | • | • | • | • | • | • | • | • | • | • | | | |
| 43 | 606140 | MANIFOLD - BURNER | • | | | • | | | | • | • | | | | | |
| 43 | 5680970 | GAS RAMP WITH INJECT. (D.1,28) | | • | | | • | • | | | | • | • | | | |
| 44 | 601520 | INJECTOR KIT D. 0,74 | • | | | • | | | | • | • | | | | | |
| 44 | 608430 | TRANSFORM. KIT N.G. (15x1,28) | | • | | | • | • | | | | • | • | | | |
| 44 | 608440 | TRANSFORM. KIT N.G. (18x1,18) | • | | | • | | | | • | • | | | | | |
| 44 | 608450 | TRANSFORM.KIT LPG(15x 0,77) | | • | | | • | • | | | | • | • | | | |
| 45 | 5407940 | GASKET-BURNER MANIFOLD | • | • | • | • | • | • | • | • | • | • | • | | | |
| 46 | 5657180 | ADAPTOR-MANIFOLD | • | • | • | • | • | • | • | • | • | • | • | | | |
| 47 | 5407810 | GASKET-MANIFOLD ADAPTOR | | • | • | • | • | • | | • | • | • | • | | | |
| 48 | 5116650 | BURNER PROTECTION | • | | | | | | | • | | | | | | |
| 49 | 5207070 | FLUE SAMPLE PLUG | | • | • | • | • | • | | • | • | • | | | | |
| 59 | 8419050 | LEAD - IGNITION ELECTRODE | • | • | • | • | • | • | • | • | • | • | • | | | |
| 61 | 5404920 | INSULATION BOOT-ELECTRODES | • | | | | | | | • | | | | | | |
| 61 | 5407830 | INSULATION BOOT - ELECTRODE | | • | • | • | • | • | | • | • | • | | | | |
| 62 | 5409570 | SEALED CHAMBER HOSE ADAPTER | | • | • | • | • | • | | • | • | • | | | | |
| 63 | 8422570 | ELECTRODE - IGNITION | • | • | • | • | • | • | • | • | • | • | • | | | |
| 70 | 5688900 | PIPE ASSEMBLY PUMP/EXCHANGER | • | • | • | • | • | • | | • | | | | 1329 | | |
| 70 | 711192200 | PUMP/EXCHANGER PIPE ASSEMBLY | | | | | | | | • | | • | • | | | |



| Pos | Code | Description code | CSE452243660 | | | | | | | | | | To serial number | From serial number | Interchangeable: | |
|-----|-----------|--------------------------------|--------------|----------|--------|--------|--------|------|--------|--------|--------|--------|------------------|--------------------|------------------|-----|
| | | | 240i | 1.310 Fi | 240 Fi | 280 Fi | 310 Fi | 240i | 240 Fi | 280 Fi | 310 Fi | 240 Fi | | | | |
| 70 | 711192200 | PUMP/EXCHANGER PIPE ASSEMBLY | • | • | • | • | • | | | | • | | | | 1330 | YES |
| 72 | 5659550 | PUMP UPS 15-60 AO & CONNECTOR | | • | | • | • | | | | | • | • | | | |
| 72 | 5661200 | PUMP UP 15-50/CONNECTOR | • | | • | | | | | • | • | | | | | |
| 73 | 607290 | AUTOMATIC AIR VENT | • | • | • | • | • | • | • | • | • | • | • | | | |
| 74 | 5406360 | O-RING 14X1,78 EP | • | • | • | • | • | • | • | • | • | • | • | | | |
| 75 | 5404670 | GROMMET - PIPE ASSEMBLY | | • | • | • | • | • | | • | • | • | | | | |
| 76 | 5686670 | DHW PLATE EXCHANGER 12 PLATES | • | | • | | | | | | | | | | | |
| 76 | 5686680 | DHW PLATE EXCHANGER 14 PLATE | | | | | • | • | | | | | | | | |
| 76 | 711612800 | DHW PLATE EXCHANGER 12 PLATES | | | | | | | • | • | | | | | | |
| 76 | 711613000 | DHW PLATE EXCHANGER 14 PLATES | | | | | | | | | | • | • | | | |
| 77 | 5404520 | DHW PLATE EXCHANGER GASKET | • | | • | • | • | | | | | | | | | |
| 77 | 711613500 | DHW PLATE EXCHANGER OR | | | | | | | | • | • | • | • | | | |
| 80 | 5655650 | HYDRAULIC INLET ASSY | | • | | | | | | | | | | | | |
| 80 | 5693860 | HYDR.INLET GR.WITH BYPASS | • | | • | • | • | | | | | | | | | |
| 80 | 711608300 | HYDRAULIC INLET GROUP | | | | | | | | • | • | • | • | | | |
| 81 | 620340 | FILTER-TRASDUC GROUP -100078- | • | | • | • | • | • | • | • | • | • | • | | | |
| 87 | 631680 | PUMP CONNECTING ELEMENT/OR | • | | • | • | • | | | | | | | | 1302 | YES |
| 87 | 5210710 | PUMP CONNECTING ELEMENT | • | | • | • | • | | | | | | | 1301 | | |
| 87 | 711652300 | PUMP CONNECTING ELEMENT/OR | | | | | | | | • | • | • | • | | | |
| 90 | 611930 | FILLING GROUP | • | | • | • | • | • | • | • | • | • | • | | | |
| 91 | 5652030 | DRAINING TAP | • | • | • | • | • | • | • | • | • | • | • | | | |
| 92 | 9951170 | SAFETY VALVE 3 BAR | • | • | • | • | • | | | | | | | | | |
| 92 | 710109400 | HYDRAULIC SAFETY VALVE 3 BAR | | | | | | | | • | • | • | • | | | |
| 98 | 5672770 | BY-PASS PIPE ASSEMBLY | | • | | | | | | | | | | | | |
| 99 | 8380850 | FIXING CLIP | | • | | | | | | | | | | | | |
| 102 | 5683540 | 3 WAY VALVE/MB GROUP LUNA3 | | • | | | | | | | | | | | | |
| 102 | 5696200 | MR-US ASS.WITHOUT BYPASS150734 | • | | • | • | • | | | | | | | | | |
| 102 | 711606100 | 3 WAY VALVE ASSEMBLY | | | | | | | | • | • | • | • | | | |
| 113 | 617100 | BY-PASS GR. | | • | | | | | | | | | | | | |
| 119 | 605760 | HYDRAULIC VENTURI ASSEMBLY | | • | | | | | | | | | | | | |
| 120 | 600750 | SPACER ASSEMBLY | | • | | | | | | | | | | | | |
| 120 | 627880 | DHW PADDLE GROUP -10.0397- | • | | • | • | • | | | | | | | 1320 | | |
| 120 | 711356900 | 3 WAY VALVE CARTRIDGE | • | | • | • | • | | | | | | | | 1321 | YES |
| 120 | 711356900 | 3 WAY VALVE CARTRIDGE | | | | | | | | • | • | • | • | | | |
| 122 | 5405370 | O-RING | • | | • | • | • | • | • | • | • | • | • | | | |
| 131 | 8434820 | TEMPERATURE SENSOR | • | | • | • | • | • | • | • | • | • | • | | | |
| 132 | 5402830 | WASHER - SENSOR SEALING | • | | • | • | • | • | • | • | • | • | • | | | |
| 135 | 9951610 | LIMIT THERMOSTAT 105°C | • | • | • | • | • | • | • | • | • | • | • | | | |
| 136 | 5681010 | EXCHANGER/V3V PIPE ASSEMBLY | • | • | • | • | • | • | | • | | | | 1329 | | |
| 136 | 711192100 | 3WV/EXCHANGER PIPE ASSEMBLY | | | | | | | | • | | • | • | | | |
| 136 | 711192100 | 3WV/EXCHANGER PIPE ASSEMBLY | • | • | • | • | • | • | | • | | | | | 1330 | YES |
| 137 | 5210700 | ELBOW - GAS FLOW OUTLET | • | • | • | • | • | • | • | • | • | • | • | | | |



| Pos | Code | Description code | CSE456313661 | | | | | | | | | | To serial number | From serial number | Interchangeable: |
|-----|---------|-------------------------------|--------------|----------|--------|--------|--------|------|--------|--------|--------|------|------------------|--------------------|------------------|
| | | | 240i | 1.310 Fi | 240 Fi | 280 Fi | 310 Fi | 240i | 240 Fi | 280 Fi | 310 Fi | 240i | | | |
| 138 | 5402010 | O RING 22.22x2.62 | • | • | • | • | • | • | • | • | • | • | | | |
| 139 | 5210630 | CONNECTOR - GAS VALVE INLET | • | • | • | • | • | • | • | • | • | • | | | |
| 140 | 5653610 | GAS VALVE - SIGMA 845048 | • | • | • | • | • | • | • | • | • | • | | | |
| 140 | 5665220 | GAS VALVE HON. | • | • | • | • | • | • | • | • | • | • | | | |
| 147 | 5680910 | SUPPORT FRAME | • | | • | • | • | • | • | • | • | • | | | |
| 147 | 5683010 | CONNECTION TRAVERSE | | • | | | | | | | | | | | |
| 150 | 5412180 | TERMINAL BLOCK COVER | • | • | • | • | • | • | • | • | • | • | | | |
| 151 | 5412250 | BOX COVER LUNA3 | • | • | • | • | • | • | • | • | • | • | | | |
| 152 | 5681340 | PANEL LUNA3 | • | • | • | • | • | • | • | • | • | • | | | |
| 153 | 5407660 | PANEL - ACCESS | • | • | • | • | • | • | • | • | • | • | | | |
| 154 | 5687010 | PCB B&P SERIES 3 | • | • | • | • | • | • | • | • | • | • | | | |
| 162 | 5681110 | PANEL PLATE ASSEMBLY | • | • | • | • | • | • | • | • | • | • | | | |
| 166 | 5688430 | TERM.BOARD/DOUBLE FUSE HOLDER | • | • | • | • | • | • | • | • | • | • | | | |
| 169 | 9951650 | MANOMETER D.40 | • | • | • | • | • | • | • | • | • | • | | | |
| 191 | 5408970 | WASHER - SEALING G1/2 | | • | | | | | | | | | | | |
| 192 | 5404650 | SEALING WASHER G 3/4 | • | • | • | • | • | • | • | • | • | • | | | |
| 241 | 5669470 | AIR CHAMBER ASSEMBLY | • | | | | | | • | | | | | | |
| 242 | 606930 | FLUE SAFETY THERMOSTAT 60C | • | | | | | | • | | | | | | |
| 259 | 5681120 | BRAND BAXI LUNA3 | • | • | • | • | • | • | • | • | • | • | | | |
| 280 | 5207730 | GASKET 14,2X18X1,5 | • | | • | • | • | • | • | • | • | • | | | |
| 286 | 8240530 | NUT M5 | • | | | | | | • | | | | | | |
| 290 | 5665230 | MODULATION COIL ASSY | • | | • | • | • | | | | | | | | |
| 290 | 5665600 | MODUL. ASSEMBLY VK4105M | | • | | | | | | | | | | | |
| 314 | 8418870 | LEAD - SENSING ELECTRODE | • | • | • | • | • | • | • | • | • | • | | | |
| 336 | 8380680 | CLIP-RETAINING | • | • | • | • | • | • | • | • | • | • | | | |
| 337 | 5213790 | OBTURATOR PLUG | | • | | | | | | | | | | | |
| 337 | 5694580 | 3 WAY VALVE MOTOR | • | | • | • | • | • | • | • | • | • | | | |
| 340 | 9951690 | PRESSURE SWITCH | • | • | • | • | • | • | • | • | • | • | | | |
| 421 | 5408270 | O-RING 11,91 X 2,62 NBR | | • | | | | | | | | | | | |
| 425 | 5412270 | GASKET FAN HT | | • | • | • | • | | • | • | • | • | | | |
| 493 | 605660 | FILLING KNOB ASSEMBLY | • | | • | • | • | • | • | • | • | • | | | |
| 507 | 605770 | BY-PASS PLUG ASSEMBLY | | • | | | | | | | | | | | |
| 510 | 600760 | DHW PADDLE ASSEMBLY | | • | | | | | | | | | | | |
| 511 | 5404600 | O.R. 17,86x2,62 | • | • | • | • | • | • | • | • | • | • | | | |
| 516 | 5210670 | STUD-FRONT PANEL | | • | • | • | • | | • | • | • | • | | | |
| 517 | 5407840 | CLIP-PLASTIC | • | • | • | • | • | • | • | • | • | • | | | |
| 518 | 5112040 | PIN - HINGED FACIA PANEL | • | • | • | • | • | • | • | • | • | • | | | |
| 520 | 5112050 | AIR DEFLECTOR | | • | • | • | • | | • | • | • | • | | | |
| 525 | 8419060 | IGNITION UNIT - NAC | • | • | • | • | • | • | • | • | • | • | | | |
| 525 | 8510910 | CABLE-GAS VALVE/IGNITER | • | • | • | • | • | • | • | • | • | • | | | |
| 525 | 8511560 | SAC IGNITOR L 600 | • | • | • | • | • | • | • | • | • | • | | | |
| 528 | 8435360 | NTC SENSOR (ITS) | • | • | • | • | • | • | • | • | • | • | | | |

