

BAXI



LUNA 3 COMFORT

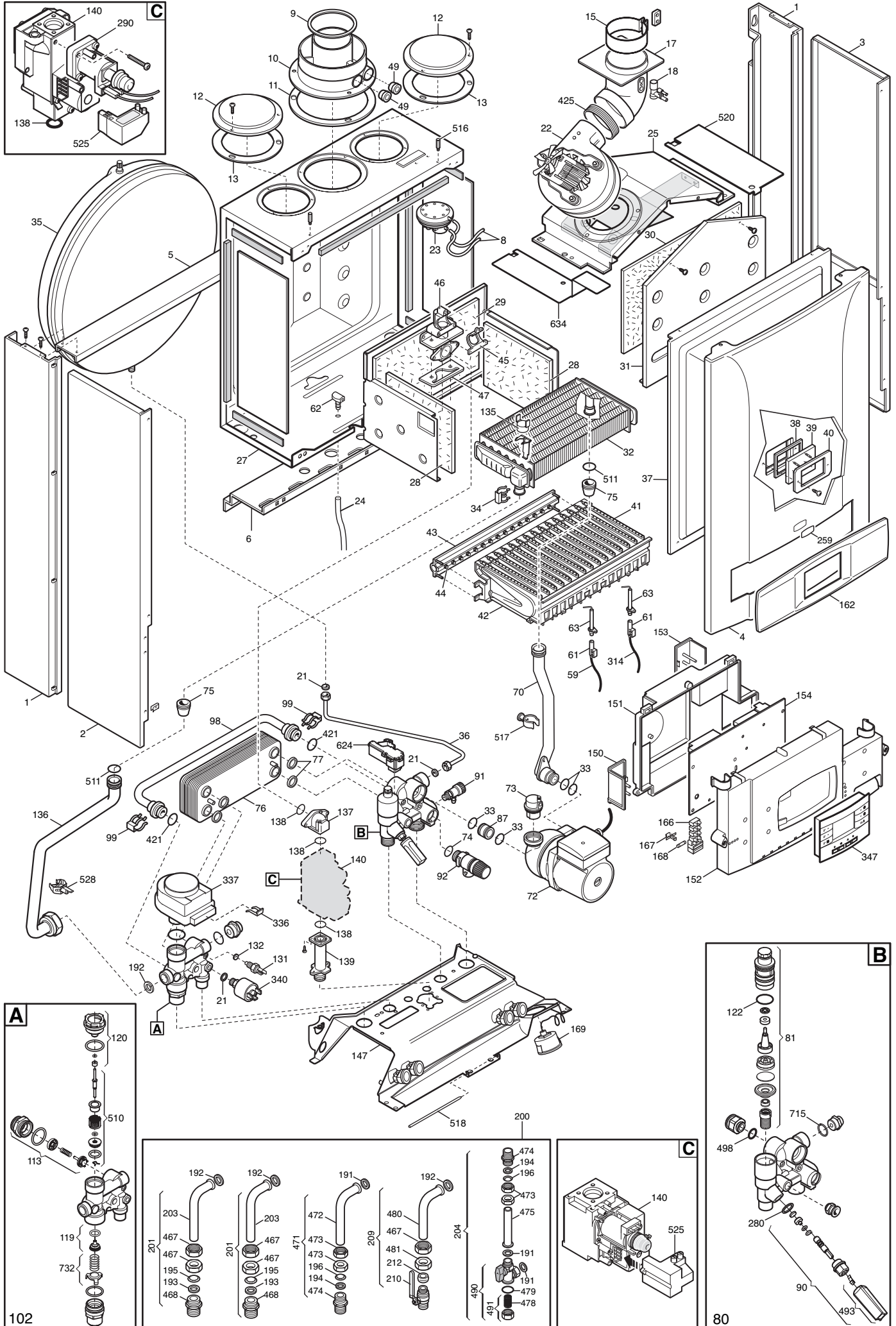
SPARE PARTS CATALOGUE

- January 2015 -

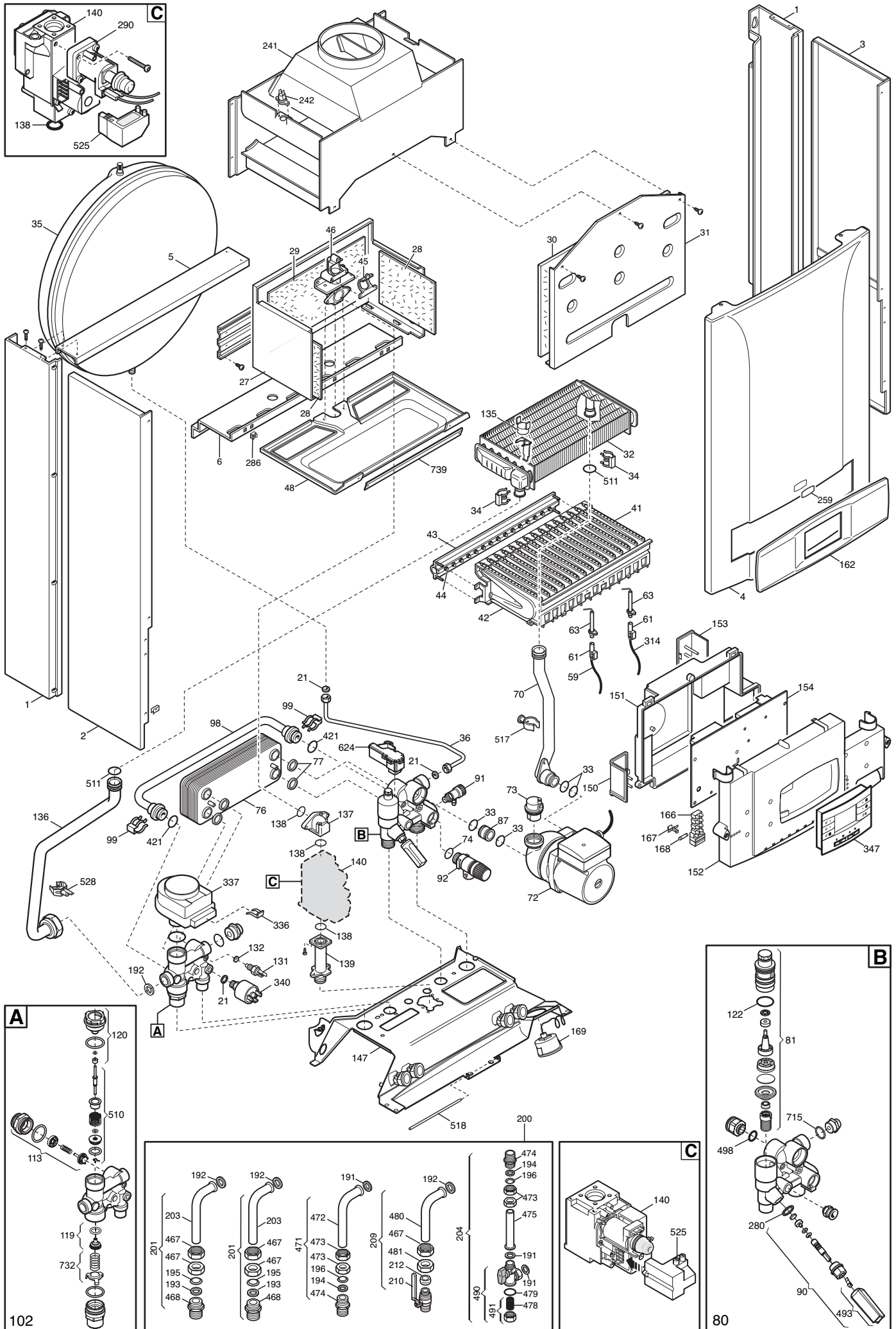
TABELLA COLLEGAMENTO CODICE CALDAIA - ESPLOSO
TABLEAU CONNECTION CODEX CHAUDIERE - VUE ECLATEE
BOILERS CONNECTION BOARD - EXPLODED VIEW

| BOILER CODE | BOILER DESCRIPTION | EXPLODED REF. |
|-----------------------|------------------------------|--------------------------|
| CODICE CALDAIA | DESCRIZIONE CALDAIA | RIF. ESPLOSO |
| CODIGO CALDERA | DESCRIPCION CALDERA | REF. EXPLOSIONADO |
| CODE CHAUDIÈRE | DESCRIPTION CHAUDIÈRE | RÉF. EXPLOSÉE |
| CSZ456243584 | LUNA3 COMFORT 240Fi | Tab 343 |
| CSZ456243582/3 | LUNA3 COMFORT 240Fi | Tab 343 |
| CSZ456243581 | LUNA3 COMFORT 240Fi | Tab 94 |
| CSZ456243580 | LUNA3 COMFORT 240Fi | Tab 94 |
| CSZ452243584 | LUNA3 COMFORT 240i | Tab 344 |
| CSZ452243582/3 | LUNA3 COMFORT 240i | Tab 344 |
| CSZ452243581 | LUNA3 COMFORT 240i | Tab 95 |
| CSZ452243580 | LUNA3 COMFORT 240i | Tab 95 |
| CSZ456313584 | LUNA3 COMFORT 310Fi | Tab 343 |
| CSZ456313582/3 | LUNA3 COMFORT 310Fi | Tab 343 |
| CSZ456313581 | LUNA3 COMFORT 310Fi | Tab 94 |
| CSZ456313580 | LUNA3 COMFORT 310Fi | Tab 94 |

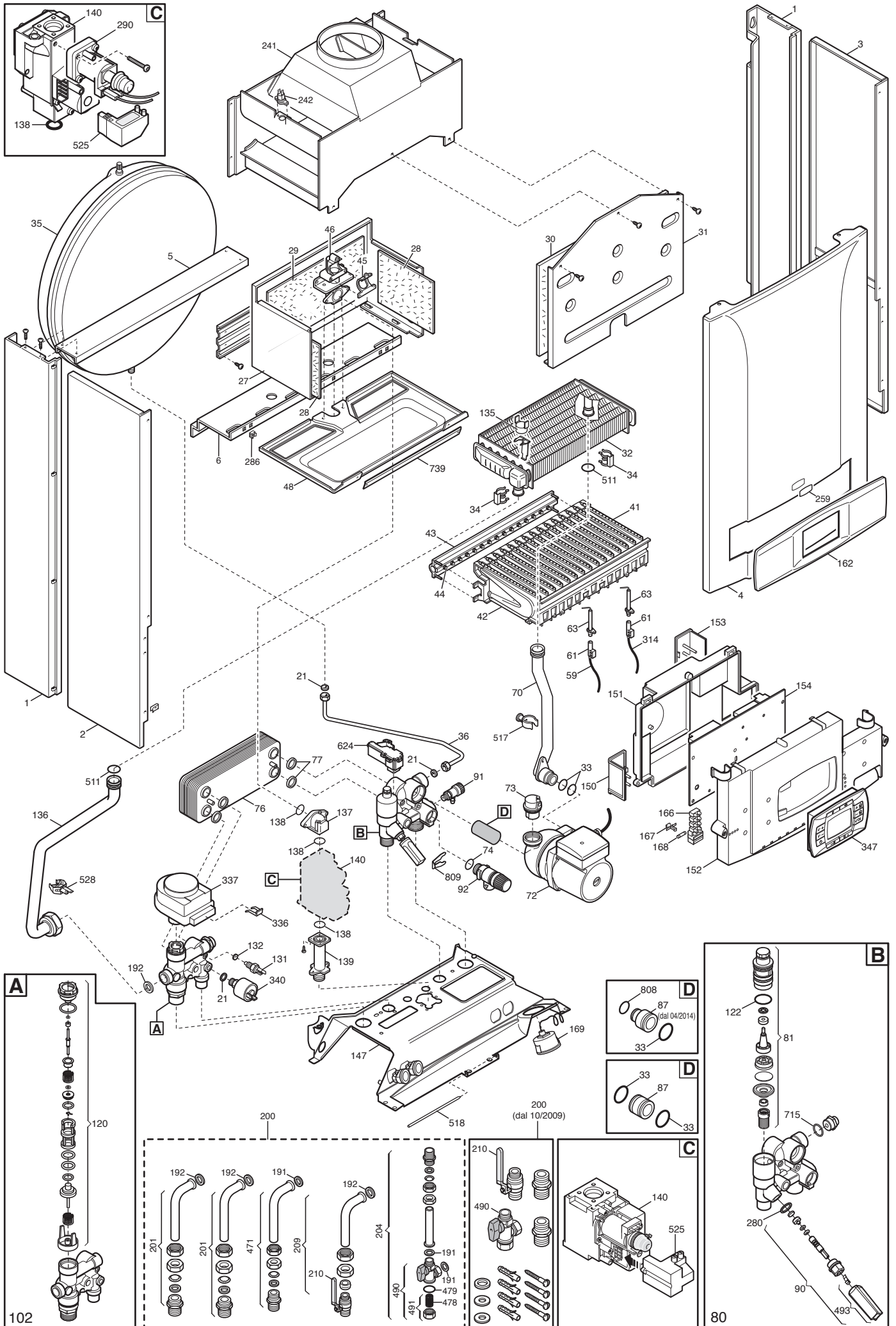
Tab 94



Tab 95



Luna3 240 i comfort



| Pos | Code | Description code | CSZ452243580 1.240i | CSZ452243581 1.240i | CSZ452243582/3 1.240i | CSZ452243584 2.240i | CSZ452243580 2.40Fi | CSZ45243581 2.40Fi | CSZ456243582/3 2.40Fi | CSZ456243584 2.40Fi | CSZ456313580 3.10Fi | CSZ456313581 3.10Fi | CSZ456313582/3 3.10Fi | CSZ456313584 3.10Fi | To serial number | From serial number | Intercha ngeable: |
|-----|---------|--------------------------------|------------------------|------------------------|--------------------------|------------------------|------------------------|-----------------------|--------------------------|------------------------|------------------------|------------------------|--------------------------|------------------------|------------------------|--------------------------|----------------------|
| 35 | 5690740 | EXPANSION VESSEL 10 L | | | | | | | | | • | • | • | | | C018 | YES |
| 36 | 5653290 | PIPE - EXPANSION VESSEL | • | • | • | • | • | • | • | • | • | • | • | • | | | |
| 37 | 5653710 | PANEL COMBUSTION BOX FRONT 80 | | | | | • | • | | | | | | | | B734 | YES |
| 37 | 5653710 | PANEL COMBUSTION BOX FRONT 80 | | | | | | | • | • | | | | | | | |
| 37 | 5655750 | PANEL-COMBUSTION BOX | | | | | | | | | | | • | • | | | |
| 37 | 5656490 | PANEL COMBUSTION BOX FRONT 80 | | | | | • | • | | | | | | | | B733 | |
| 37 | 5656500 | PANEL-COMBUSTION BOX FRONT 105 | | | | | | | | | • | • | | | | | |
| 38 | 5401610 | VIEWING WINDOW GASKET | | | | | • | • | • | • | • | • | • | • | | | |
| 39 | 5203930 | VIEWING WINDOW | | | | | • | • | • | • | • | • | • | • | | | |
| 40 | 5103360 | SURROUND - VIEWING WINDOW | | | | | • | • | • | • | • | • | • | • | | | |
| 41 | 5653300 | BURNER ASSEMBLY (15 ELEMENTS) | • | • | • | • | • | • | • | • | • | • | • | • | | | |
| 42 | 5604090 | BURNER ELEMENT | • | • | • | • | • | • | • | • | • | • | • | • | | | |
| 43 | 606140 | MANIFOLD - BURNER | • | • | • | • | • | • | • | • | | | | | | | |
| 43 | 5680970 | GAS RAMP WITH INJECT. (D.1,28) | | | | | | | | | • | • | • | • | | | |
| 44 | 601520 | INJECTOR KIT D. 0,74 | • | • | • | • | • | • | • | • | | | | | | | |
| 44 | 608430 | TRANSFORM. KIT N.G. (15x1,28) | | | | | | | | | • | • | • | • | | | |
| 44 | 608440 | TRANSFORM. KIT N.G. (18x1,18) | • | • | • | • | • | • | • | • | | | | | | | |
| 44 | 608450 | TRANSFORM.KIT LPG(15x 0,77) | | | | | | | | | • | • | • | • | | | |
| 45 | 5407940 | GASKET-BURNER MANIFOLD | • | • | • | • | • | • | • | • | • | • | • | • | | | |
| 46 | 5657180 | ADAPTOR-MANIFOLD | • | • | • | • | • | • | • | • | • | • | • | • | | | |
| 47 | 5407810 | GASKET-MANIFOLD ADAPTOR | | | | | • | • | • | • | • | • | • | • | | | |
| 48 | 5116650 | BURNER PROTECTION | • | • | • | • | | | | | | | | | | | |
| 49 | 5207070 | FLUE SAMPLE PLUG | | | | | • | • | • | • | • | • | • | • | | | |
| 59 | 8419050 | LEAD - IGNITION ELECTRODE | • | • | • | • | • | • | • | • | • | • | • | • | | | |
| 61 | 5404920 | INSULATION BOOT-ELECTRODES | • | • | • | • | | | | | | | | | | | |
| 61 | 5407830 | INSULATION BOOT - ELECTRODE | | | | | • | • | • | • | • | • | • | • | | | |
| 62 | 5409570 | SEALED CHAMBER HOSE ADAPTER | | | | | • | • | • | • | • | • | • | • | | | |
| 63 | 8422570 | ELECTRODE - IGNITION | • | • | • | • | • | • | • | • | • | • | • | • | | | |

| Pos | Code | Description code | CSZ452243580 1.240i | CSZ452243581 1.240i | CSZ452243582/3 1.240i | CSZ452243584 2.240i | CSZ456243580 240Fi | CSZ456243581 240Fi | CSZ456243582/3 240Fi | CSZ456243584 240Fi | CSZ456313580 310Fi | CSZ456313581 310Fi | CSZ456313582/3 310Fi | CSZ456313584 310Fi | To serial number | From serial number | Intercha ngeable: |
|-----|-----------|--------------------------------|------------------------|------------------------|--------------------------|------------------------|-----------------------|-----------------------|-------------------------|-----------------------|-----------------------|-----------------------|-------------------------|-----------------------|------------------------|--------------------------|----------------------|
| 70 | 5681020 | EXCHANGER/PUMP PIPE ASSEMBLY | • | • | | | | | | | | | | | | | |
| 70 | 5681020 | EXCHANGER/PUMP PIPE ASSEMBLY | | | | | • | • | | | • | • | | | B719 | | |
| 70 | 5688900 | PIPE ASSEMBLY PUMP/EXCHANGER | | | • | | | | • | | | • | | | | | |
| 70 | 5688900 | PIPE ASSEMBLY PUMP/EXCHANGER | | | | | • | • | | | • | • | | | | B720 | NO |
| 70 | 711192200 | PUMP/EXCHANGER PIPE ASSEMBLY | | | | • | | | | | | | • | | | | |
| 72 | 5659550 | PUMP UPS 15-60 AO & CONNECTOR | | | | | | | | | • | • | • | • | | | |
| 72 | 5661200 | PUMP UP 15-50/CONNECTOR | • | • | • | • | • | • | • | • | • | • | • | • | | | |
| 73 | 607290 | AUTOMATIC AIR VENT | • | • | • | • | • | • | • | • | • | • | • | • | | | |
| 74 | 5406360 | O-RING 14X1,78 EP | • | • | • | • | • | • | • | • | • | • | • | • | | | |
| 75 | 5404670 | GROMMET - PIPE ASSEMBLY | | | | | • | • | • | • | • | • | • | • | | | |
| 76 | 5653660 | DHW PLATE EXCHANGER -12 PLATES | • | • | | | • | • | | | | | | | B649 | | |
| 76 | 5655780 | DHW PLATE EXCHANG. 16 PLATES | | | | | | | | • | • | | | | B649 | | |
| 76 | 5686670 | DHW PLATE EXCHANGER 12 PLATES | | | • | | | | • | | | | | | | | |
| 76 | 5686670 | DHW PLATE EXCHANGER 12 PLATES | • | • | | | • | • | | | | | | | | B650 | YES |
| 76 | 5686680 | DHW PLATE EXCHANGER 14 PLATE | | | | | | | | | | | • | | | | |
| 76 | 5686680 | DHW PLATE EXCHANGER 14 PLATE | | | | | | | | | • | • | | | | B730 | YES |
| 76 | 5686690 | DHW PLATE EXCHANGER 16 PLATES | | | | | | | | | • | • | | | B729 | B650 | YES |
| 76 | 711612800 | DHW PLATE EXCHANGER 12 PLATES | | | | • | | | | | • | | | | | | |
| 76 | 711613000 | DHW PLATE EXCHANGER 14 PLATES | | | | | | | | | | | • | | | | |
| 77 | 5404520 | DHW PLATE EXCHANGER GASKET | • | • | • | | • | • | • | • | • | • | • | • | | | |
| 77 | 711613500 | DHW PLATE EXCHANGER OR | | | | • | | | | | | | • | | | | |
| 80 | 5680920 | GROUP -15.0553- | • | • | | | • | • | | | • | • | | | | | |
| 80 | 5693860 | HYDR.INLET GR.WITH BYPASS | | | • | | | | • | | | | • | | | | |
| 80 | 711608300 | HYDRAULIC INLET GROUP | | | | • | | | | | | | • | | | | |
| 81 | 620340 | FILTER-TRASDUC GROUP -100078- | • | • | • | • | • | • | • | • | • | • | • | • | | | |
| 87 | 631680 | PUMP CONNECTING ELEMENT/OR | • | • | • | | • | • | • | • | • | • | • | • | | 1302 | YES |
| 87 | 5210710 | PUMP CONNECTING ELEMENT | • | • | • | | • | • | • | • | • | • | • | • | 1301 | | |
| 87 | 711652300 | PUMP CONNECTING ELEMENT/OR | | | | • | | | | | | | • | | | | |

| Pos | Code | Description code | CSZ452243580 1.240f | CSZ452243581 1.240f | CSZ452243582/3 1.240f | CSZ452243584 2.240f | CSZ452243580 2.40f | CSZ452243581 2.40f | CSZ452243582/3 2.40f | CSZ452243584 2.40f | CSZ456243580 3.10f | CSZ456243581 3.10f | CSZ456243582/3 3.10f | CSZ456243584 3.10f | To serial number | From serial number | Intercha ngeable: |
|-----|-----------|---------------------------|------------------------|------------------------|--------------------------|------------------------|-----------------------|-----------------------|-------------------------|-----------------------|-----------------------|-----------------------|-------------------------|-----------------------|------------------------|--------------------------|----------------------|
| 478 | 624480 | SANITARY FILTER ASSEMBLY | | | • | | | | • | | | | • | | B928 | | |
| 479 | 5405190 | O RING FILTER TAP | • | • | | | • | • | | | • | • | | | B928 | | |
| 479 | 5405190 | O RING FILTER TAP | | | • | | | | • | | | • | | | | | |
| 480 | 5628010 | GAS CONNECTING PIPE | • | • | | | • | • | | | • | • | | | | | |
| 481 | 5628030 | NUT G 3/4 | • | • | | | • | • | | | • | • | | | | | |
| 490 | 5625970 | DHW INLET TAP WITH FILTER | • | • | • | • | • | • | • | • | • | • | • | • | | | |
| 491 | 624440 | PLUG G1/2 FILTER ASSEMBLY | | | • | | | | • | | | • | | | B928 | | |
| 491 | 624440 | PLUG G1/2 FILTER ASSEMBLY | • | • | | | • | • | | | • | • | | | | B730 | YES |
| 491 | 5637070 | PLUG WITH FILTER ASSEMBLY | • | • | | | • | • | | | • | • | | | B729 | | |
| 493 | 605660 | FILLING KNOB ASSEMBLY | • | • | • | • | • | • | • | • | • | • | • | • | | | |
| 498 | 400030 | O-RING | • | • | | | • | • | | | • | • | | | | | |
| 510 | 600760 | DHW PADDLE ASSEMBLY | • | • | | | • | • | | | • | • | | | | | |
| 511 | 5404600 | O.R. 17,86x2,62 | • | • | • | • | • | • | • | • | • | • | • | • | | | |
| 516 | 5210670 | STUD-FRONT PANEL | | | | | • | • | • | • | • | • | • | • | | | |
| 517 | 5407840 | CLIP-PLASTIC | • | • | • | • | • | • | • | • | • | • | • | • | | | |
| 518 | 5112040 | PIN - HINGED FACIA PANEL | • | • | • | • | • | • | • | • | • | • | • | • | | | |
| 520 | 5112050 | AIR DEFLECTOR | | | | | • | • | • | • | • | • | • | • | | | |
| 525 | 8419060 | IGNITION UNIT - NAC | • | • | • | • | • | • | • | • | • | • | • | • | | | |
| 525 | 8510910 | CABLE-GAS VALVE/IGNITER | • | • | • | • | • | • | • | • | • | • | • | • | | | |
| 525 | 8511560 | SAC IGNITOR L 600 | • | • | • | • | • | • | • | • | • | • | • | • | | | |
| 528 | 8435360 | NTC SENSOR (ITS) | • | • | • | • | • | • | • | • | • | • | • | • | | | |
| 624 | 8435380 | FLOW RILEVATOR | • | • | • | • | • | • | • | • | • | • | • | • | | | |
| 634 | 5115960 | LEFT AIR DEFLECTOR LUNA3 | | | | | • | • | • | • | • | • | • | • | | | |
| 715 | 5402700 | ORING 15,60X1,78 | • | • | | | • | • | | | • | • | | | | | |
| 732 | 620210 | SPRING ASS. | • | • | | | • | • | | | • | • | | | | | |
| 739 | 5116660 | BURNER PROTECTION PROFILE | • | • | • | • | | | | | | | | | | | |
| 808 | 721311400 | O-RING 18X2 | | | | • | | | | | • | | | | | | |
| 809 | 711615000 | SPRING | | | | • | | | | • | | | | | | | |

