

# BAXI

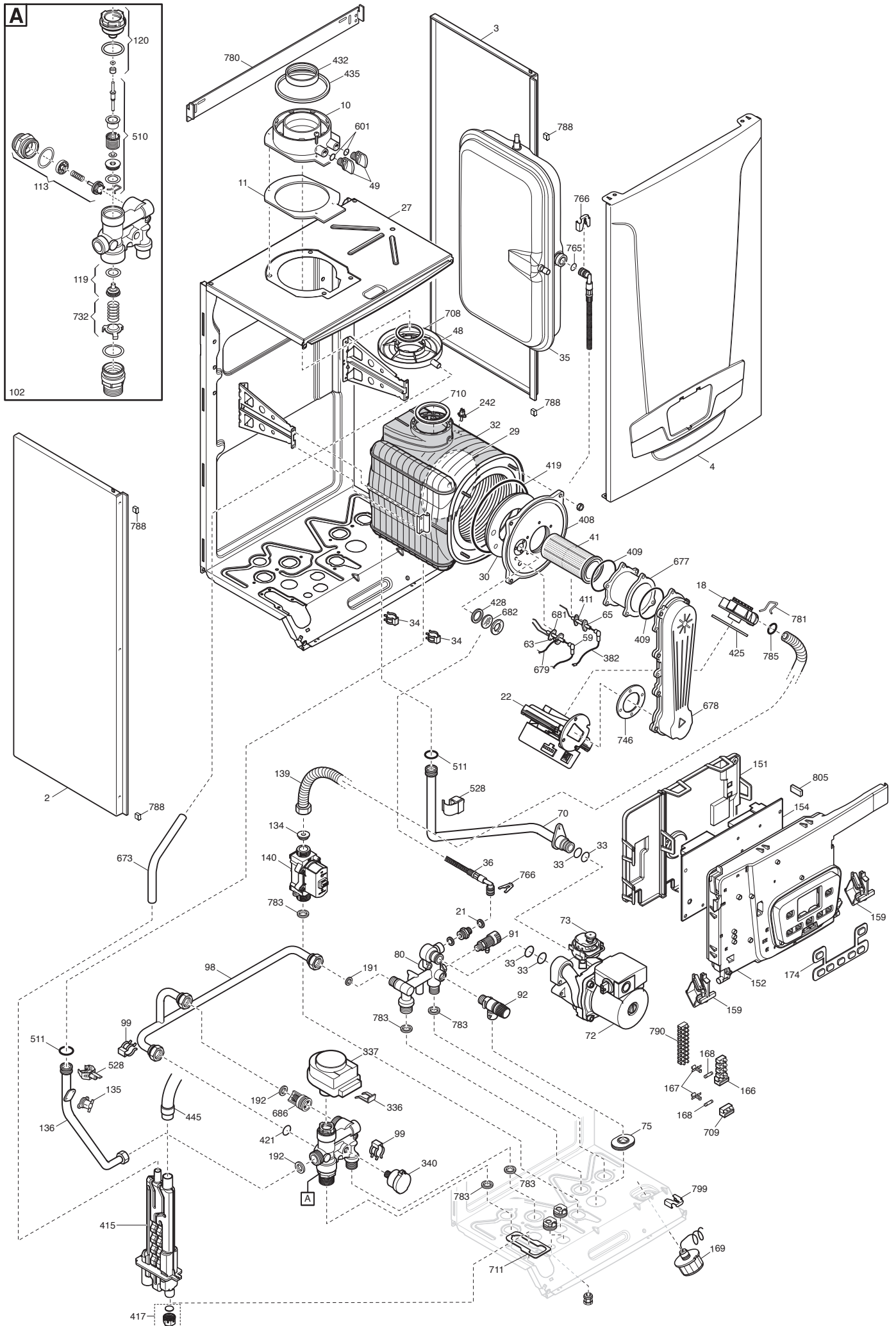


## DUO-TEC COMPACT

# SPARE PARTS CATALOGUE

- Aprile 2016 -

<b>BOILER CODE</b>	<b>BOILER DESCRIPTION</b>	<b>EXPLODED REF.</b>
<b>CODICE CALDAIA</b>	<b>DESCRIZIONE CALDAIA</b>	<b>RIF. ESPLOSO</b>
<b>CODIGO CALDERA</b>	<b>DESCRIPCION CALDERA</b>	<b>REF. EXPLOSIONADO</b>
<b>CODE CHAUDIÈRE</b>	<b>DESCRIPTION CHAUDIÈRE</b>	<b>RÉF. EXPLOSÉE</b>
710897404/5/6	DUO-TEC 1.24 GA	Tab 571
710676504/5/6	DUO-TEC 24 GA	Tab 572
710676604/5/6	DUO-TEC 28 GA	Tab 572





# DUO-TEC COMPACT

22/04/2016

Pos	Code	Description	710897404,5/6 1,24	710676504,5/6 24	710676604,5/6 28						To serial number	From serial number	Interchangeable:
2	710651000	LEFT PANEL ASSEMBLY	•	•	•								
3	710650900	RIGHT PANEL ASSEMBLY	•	•	•								
4	722024400	FRONTAL PANEL	•	•	•								
10	5409020	FLUE ADAPTOR HE	•	•	•								
11	5409010	GASKET ADAPTOR	•	•	•								
18	710385100	MIXER PL20 C1500106	•	•	•								
21	5402050	WASHER-SEALING	•										
22	710692300	FAN NRG118	•	•	•								
27	721693100	C FRAME	•										
27	721883500	C FRAME		•	•								
29	710283600	COMBUSTION CHAMBER REAR INSUL.	•	•	•								
30	5411020	INSULATION PANEL	•	•	•								
32	5671940	HEAT EXCHANGER BASIC 4E	•	•	•								
33	710963000	OR 21,5X3 EP70 TFL	•	•	•								
34	8380860	FIXING CLIP	•	•	•								
35	710630400	EXPANSION VESSEL 7 L	•	•	•								
36	710039400	EXPANSION VASSEL PIPE		•	•								
36	710583600	EXPANSION VASSEL PIPE	•										
41	711570700	BURNER/FLANGE 4E ASS	•	•	•								
48	710039800	CONDENSING WATER TRAY 80/60	•	•	•								
49	5409280	TAP ADAPTOR	•	•	•								
59	710126200	CABLE IGNITION ELECTRODE B&P	•	•	•								
63	710220000	ELECTRODE - IGNITION	•	•	•								
65	710424200	FLAME SENSOR B&P	•	•	•								
70	710608800	PUMP/EXCHANGER PIPE ASSEMBLY	•										
70	711376200	HEAT EXCHANGER/PUMP PIPE		•	•								
72	721958100	PUMP GRUNDFOS UPO 15-60 1V L4	•	•	•								
73	710493600	AIR VENT PUMP GR.	•	•	•								
75	5409240	GROMMET - PIPE ASSY D.10		•	•								
76	5686660	DHW PLATE EXCHANGER 10 PLATES		•									
76	5686670	DHW PLATE EXCHANGER 12 PLATES			•								
77	5404520	DHW PLATE EXCHANGER GASKET		•	•								
80	710266700	RETURN/FILLING TAP ASSY SYSTEM	•										
81	710048100	DHW CARTRIDGE		•	•								
90	710046600	FILLING TAP ASSY		•	•								
91	5652030	DRAINING TAP	•										
91	710045500	DISCHARGE TAP CONNECTION		•	•								
92	9951170	SAFETY VALVE 3 BAR	•										
92	710109400	HYDRAULIC SAFETY VALVE 3 BAR		•	•								
98	5672770	BY-PASS PIPE ASSEMBLY	•										
98	710046300	BY-PASS CONNECTION ASSY		•	•								
99	8380850	FIXING CLIP	•								1537		

# DUO-TEC COMPACT

22/04/2016

Pos	Code	Description code	710897404/5/6 1,24	710676504/5/6 24	710676604/5/6 28	To serial number	From serial number	Interchangeable:
102	5683540	3 WAY VALVE/MB GROUP LUNA3	•					
113	617100	BY-PASS GR.	•					
113	710048300	BY-PASS CARTRIDGE		•	•			
114	710046400	O-RING d.15,54X2,62		•	•			
119	605760	HYDRAULIC VENTURI ASSEMBLY	•					
120	600750	SPACER ASSEMBLY	•					
120	721403800	3WV CARTRIDGE		•	•			
122	710047800	O-RING d.23,47X2,62		•	•			
128	710048800	O-RING d.8,9X1,9		•	•			
131	721309400	NTC SENSOR NICKEL		•	•			
132	710049100	O-RING d.11,91X2,62 OR115		•	•			
134	710192500	INJECTOR B&P 4,4mm	•	•				
134	710458300	INJECTOR B&P D.4,6mm		•	•			
135	9950760	THERMOSTAT - LIMIT	•	•	•			
136	710609000	FLOW PIPE	•					
136	711376100	FLOW PIPE		•	•			
139	710061300	FLEXIBLE GAS PIPE	•	•	•			
140	710089600	GAS VALVE B&P SGV100	•	•	•			
151	710566100	CONTROL PANEL COVER	•	•	•			
152	710650400	PANEL PLATE/DISPLAY ASSEMBLY	•	•	•			
154	722233100	PCB B&P HAGC03 BX01	•	•	•			
159	710569200	HINGE	•	•	•			
166	5688430	TERM.BOARD/DOUBLE FUSE HOLDER	•	•	•			
167	5405340	FUSE HOLDER	•	•	•			
168	9950580	FUSE	•	•	•			
169	710584000	MANOMETER D.28	•					
169	710673600	MANOMETER D.28		•	•			
174	710126300	7 PUSH BUTTON PANEL B&P	•	•	•			
192	5404650	SEALING WASHER G 3/4	•					
242	8435270	NTC SENSOR	•	•	•			
259	710419300	BRAND BAXI	•	•	•			
336	8380680	CLIP-RETAINING	•					
336	710047400	CLIP - 3WV MOTOR HEAD		•	•			
337	5694580	3 WAY VALVE MOTOR	•					
337	710047300	3WV MOTOR HEAD		•	•			
340	9951690	PRESSURE SWITCH	•				1538	YES
340	721384000	ON/OFF CH PRESSURE SWITCH		•	•			
340	721384000	ON/OFF CH PRESSURE SWITCH	•			1537		
363	710045300	O-RING d.17,96X2,62		•	•			
373	710047100	CH FILTER		•	•			
382	710127500	CABLE DETECTION ELECTRODE	•	•	•			
408	711571000	COMB.CHAMBER UPPER COVER	•	•	•			

# DUO-TEC COMPACT

22/04/2016

Pos	Code	Description code	710897404/5/6	710676504/5/6	710676604/5/6	To serial number	From serial number	Interchangeable:
			1,24	24	28			
409	721543100	BURNER GASKET ASS.	•	•	•			
411	710185200	FLAME SENSING ELEC.GASKET	•	•	•			
415	721679000	SIPHON BODY H170	•	•	•	1609		
415	765806200	SIPHON BODY H170	•	•	•		1610	YES
417	721679200	PLUG SIPHON	•	•	•	1612		
419	5411000	COMB.CHAMBER GASKET	•	•	•			
421	5408270	O-RING 11,91 X 2,62 NBR	•					
425	710042400	VENTURI GASKET	•	•	•			
428	5409290	GASKET	•	•	•			
432	5410420	WASHER DIA 60 OUTLET BEND	•	•	•			
435	5407550	WASHER DIA100 OUTER ADAPT SEAL	•	•	•			
445	721693700	PIPE EXCH/SYPHON	•	•	•			
510	600760	DHW PADDLE ASSEMBLY	•					
511	5404600	O.R. 17,86x2,62	•	•	•			
528	710439300	SENSOR TODS	•	•	•			
600	710045400	CLIP FLAT d.18		•	•			
601	5408560	O-RING 8,73x1,78	•	•	•			
624	710976600	HALL SENSOR ASSY		•	•			
673	721693800	CONDENSY PIPE/SIPHON	•	•	•			
675	710046100	CLIP BRASS ADAPTOR		•	•			
677	5212930	EXTENSION	•	•	•			
678	710051400	AIR-GAS CONVEYOR ASS.LUNA4	•	•	•			
679	710127100	CABLE GROUND FOR ELECTRODE	•	•	•			
681	710185300	IGNITION ELECTRODE GASKET	•	•	•			
682	5211800	SIGHT GLASS	•	•	•			
683	5408810	GASKET GAS RAMP	•	•	•			
686	5663020	BY-PASS PLUG ASSEMBLY	•					
708	5410970	GASKET WITH DOUBLE LIP	•	•	•			
709	8423160	TERMINAL BLOCK	•	•	•			
710	5411030	GASKET	•	•	•			
711	721696400	JOINT SIPHON	•	•	•			
732	620210	SPRING ASS.	•					
746	5410900	VENTURI GASKET	•	•	•			
763	710046700	CLIP FLAT d.12		•	•			
764	710047500	CLIP U d.3		•	•			
765	710045700	O-RING d.9,19 X 2,62	•	•	•			
766	710106700	FLAT SPRING diameter 10	•	•	•			
767	710046900	PTP EXCH FIXING SCREW		•	•			
780	710633100	UPPER SUPPORT	•	•	•			
781	710011400	CLIP FIX GAS PIPE	•	•	•			
783	710039500	HYDRAULIC GROUP GASKET	•	•	•			
785	710061400	O RING GAS PIPE 18 X 3 NBR	•	•	•			

# DUO-TEC COMPACT

22/04/2016

Pos	Code	Description code	710897404/5/6	710676504/5/6	710676604/5/6	To serial number	From serial number	Interchangeable:
			1,24	24	28			
788	710176000	COMBUSTION CHAMBER GASKET C	•	•	•			
790	710117900	TERMINAL BLOCK 10 PIN PA35	•	•	•			
791	721695300	SIPHON CAP GASKET	•	•	•	1612		
799	710654100	SPRING FIXING D.9	•	•	•			
801	710048700	CLIP CH PRESSURE SWITCH	•	•	•			
804	711231000	HYDRAULIC GROUP BITRON ECO5		•				
804	722033400	HYDRAULIC GROUP COMBI 28Kw			•			
805	710731500	CONFIGURATION KEY DUOTEC	•	•	•			
999	8414540	CABLE ROOM TH	•	•	•			
999	8414620	POWER CABLE	•	•	•			
999	710062300	CABLE PWM FAN	•	•	•			
999	710071700	CABLE NTC FLUE	•	•	•			
999	710126800	CABLE SAFETY THERMOSTAT	•	•	•			
999	710285900	CABLE NTC TANK/EXTERNAL SENSOR	•					
999	710512100	WIRING HARNESS GAS VALVE B&P	•	•	•			
999	710651100	CABLE REMOTE CONTROL	•	•	•			
999	710651300	PCB POWER CABLE	•	•	•			
999	710651400	CABLE EXTERNAL SENSOR/BOILER SEN		•	•			
999	710651500	WIRING PCB INPUT	•	•	•			
999	710666800	CABLE POWER V3VPUMP	•					
999	710666900	CABLE FAN	•	•	•			
999	710674600	CABLE POWER V3VPUMP		•	•			
999	722024300	LOW VOLTAGE WIRING COMBI	•	•	•			

